

REVISION RECORD				
REV	ECN	DESCRIPTION	DRFT	DATE

NOTES1:

UL Standard

- 1.Rated voltage/current : 600V
- 2.Wire range : 28~12AWG

VDE Standard

- 1.Rated voltage/current : 450V / 24A
- 2.Wire range : 0.2~2.5mm²

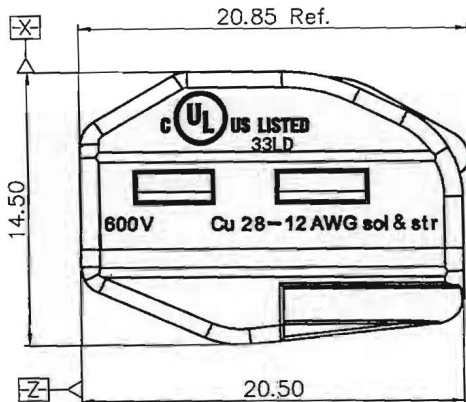
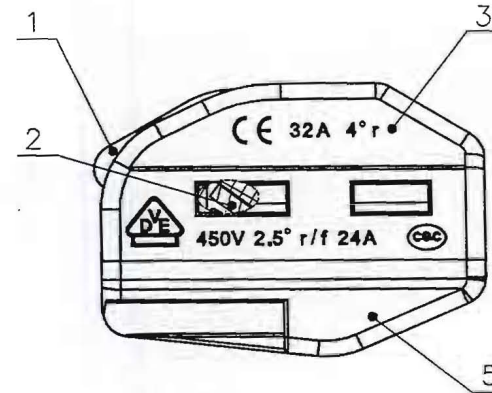
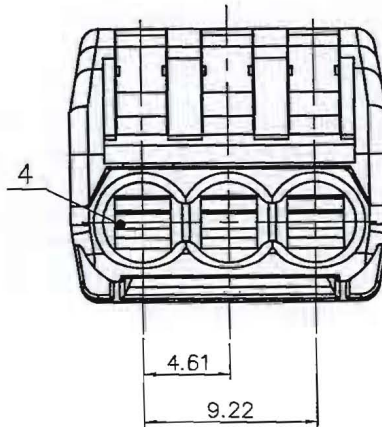
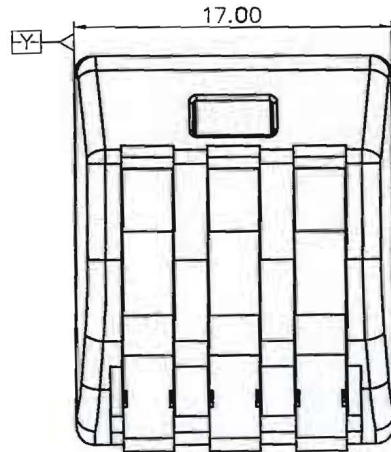
IEC Standard

- 1.Rated voltage/current : 450V / 32A
- 2.Wire range : 0.2~4.0mm²(sol)

DG223 - 4.61 - 03P (1Y-00A H)

(Series No.) (Pitch) (Poles) (Single Pitch) (Color):

- 1.(Grey)
- 2.(Blue)
- 3.(Black)
- 4.(Green)
- 5.(Orange)
- 6.(Red)
- 7.(Transparent)
- 8.(Yellow)
- 9.(White)

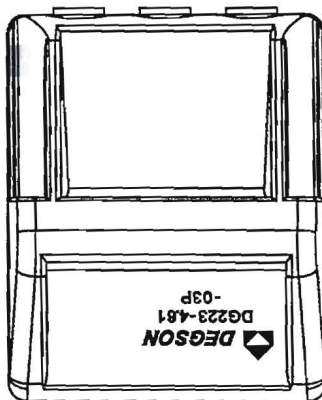


NOTES2:

- 1.Dimension shall be interpreted per ASME Y14.5-2009
- 2.Pitch : 4.61mm, Poles : 03P
- 3.Stripping length : 9~10mm
- 4.Withstanding voltage : AC2500V/1Min
- 5.Operating temperature: -40°C~+105°C
- 6.Undimensioned tolerances:

Pitch range in mm		Nominal dimension range in mm						±	∠
TO	Over	TO	Over	TO	Over	TO	Over	0.1/10	
6	10	30	60	100	150	6	10	<	
±0.15	±0.20	±0.30	±0.50	±0.70	±1.00	±1.30	±2°		

7.RoHS Compliance



ITEM	NAME OF PART	MATERIAL	NOTES
5	Housing	PA66	UL94V-0
4	Spring	Stainless steel	
3	Cover	PA66	UL94V-0
2	Current carrier	Copper	Sn Plated
1	Button	PA66	UL94V-0

PART NO.: /		NINGBO DEGSON ELECTRICAL CO., LTD	
APPD: Jacky Li 2019.7.22		NAME: DG223-4.61-03P (1Y-00AH)	
CHKD: Mek 2019.07.24		TITLE: CUSTOMER DRAWING	
DRFT: LJB 2019.07.08		REV	TO
THIRD ANGLE PROJECTION		DRAWING NO.: DG223-4.61-C02	SHEET 1/1
		DO NOT SCALE DRAWING	SCALE 1:1