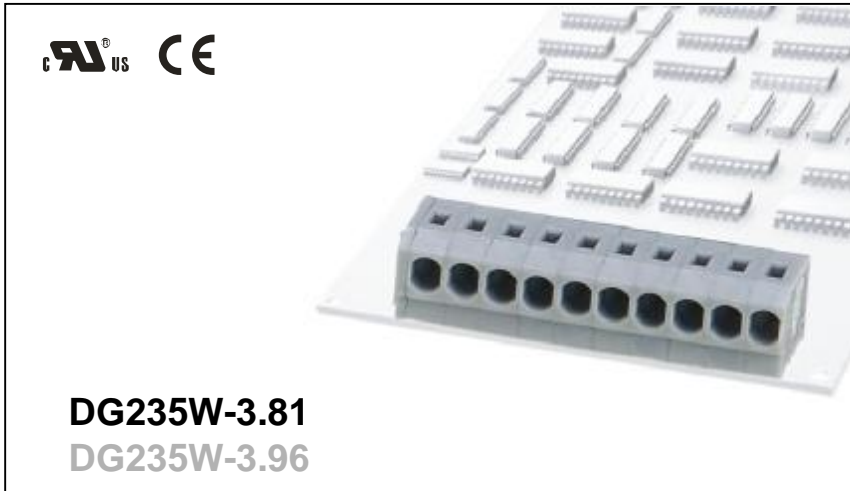


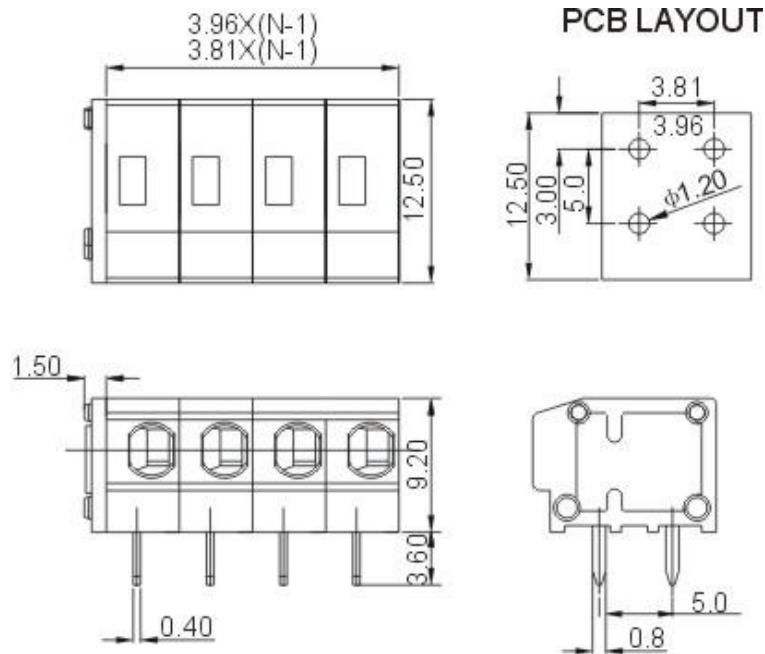


DEGSON ELECTRONICS CO., LTD.

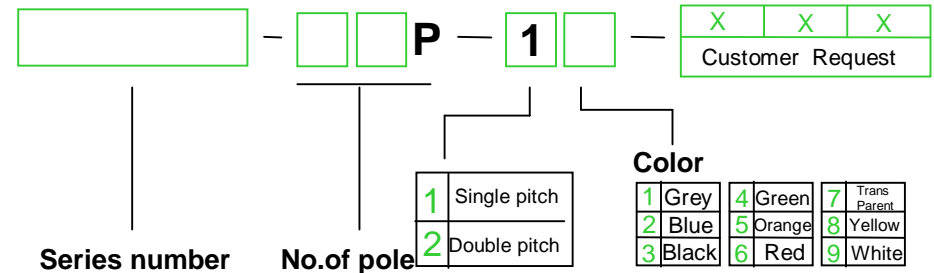
Product Specification



Approval		
Electrical		
Standard	UL	IEC
Rated voltage	300V	250V
Rated current	5A	10A
Wire range	20-18AWG	1.5mm ²
Withstanding voltage	AC2000V/1Min	
Mechanical		
Ambient temperature	-40°C~+105 °C	
Strip length	9-10mm	
Dimensions		
Pitch	3.81mm(.150") 3.96mm (.156")	
Poles	1P-XXP	
Material		
Housing	PA66,UL94V-0	
Pin header	Phosphor bronze,Tin plated	
Wire guard	Stainless steel	



HOW TO ORDER :



 mm (INCH)	 DEGSON ELECTRONICS CO., LTD.
 THROANGLE PROJECTION	NAME DG235W-3.81, DG235W-3.96