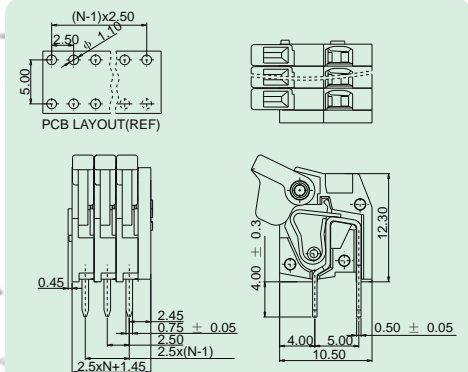


DG241-2.54

- Spring cage technology, vibration resistant;
- Small pitch, suitable for narrow space installation.



Technical data

APPROVAL: CE c RU[®] us

Model	Wire range (AWG/mm ²)	Poles	IEC60947 data sheet		UI1059 data sheet	
			Rated voltage(V)	Rated current(A)	Rated voltage(V)	Rated current(A)
DG241-2.54	28-20/0.2-0.5	1-XXP	130	6	150	6

Application

Industrial automation, instrument, elevator, new energy, security, power supply etc.

Cross reference

DEGSON	Competitor1	Competitor2
DG241-2.54	243-502	WKV254A

Packing

Product model	Pcs./Pkt.	Product model	Pcs./Pkt.
DG241-2.54-01P	2600	DG241-2.54-07P	1000
DG241-2.54-02P	2400	DG241-2.54-08P	800
DG241-2.54-03P	1440	DG241-2.54-09P	640
DG241-2.54-04P	1300	DG241-2.54-10P	500
DG241-2.54-05P	1300	DG241-2.54-11P	460
DG241-2.54-06P	1100	DG241-2.54-12P	450

How to order

DG241-2.54	X	X	P	1	Y	0	0	A(H)
Series NO.	NO. of pole					Standard		
	1	2				5		
	Single pitch	Double pitch				Orange		
							PANTONE 158C	
							DEGSON	05