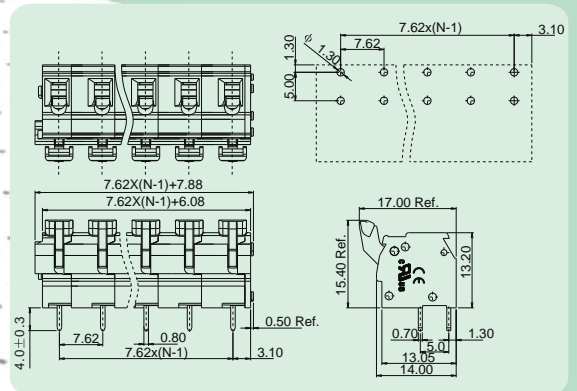


## DG242V-7.62



### Technical data

**APPROVAL: CE   **

Model	Wire range (AWG/mm <sup>2</sup> )	Poles	IEC60998 data sheet		UL1059 data sheet	
			Rated voltage(V)	Rated current(A)	Rated voltage(V)	Rated current(A)
DG242V-7.62	28-12/0.2-2.5	01-XXP	750	17	300	15

### Application

Industrial automation, instrument, elevator, new energy, security, power supply etc.

### Cross reference

DEGSON	Competitor1	Competitor2
DG242V-7.62	225-502	WKV762A

### Packing

Product model	Pcs./Pkt.	Product model	Pcs./Pkt.
DG242V-7.62-01P	1000	DG242V-7.62-07P	235
DG242V-7.62-02P	800	DG242V-7.62-08P	180
DG242V-7.62-03P	510	DG242V-7.62-09P	160
DG242V-7.62-04P	400	DG242V-7.62-10P	150
DG242V-7.62-05P	280	DG242V-7.62-11P	130
DG242V-7.62-06P	250	DG242V-7.62-12P	125

### How to order

