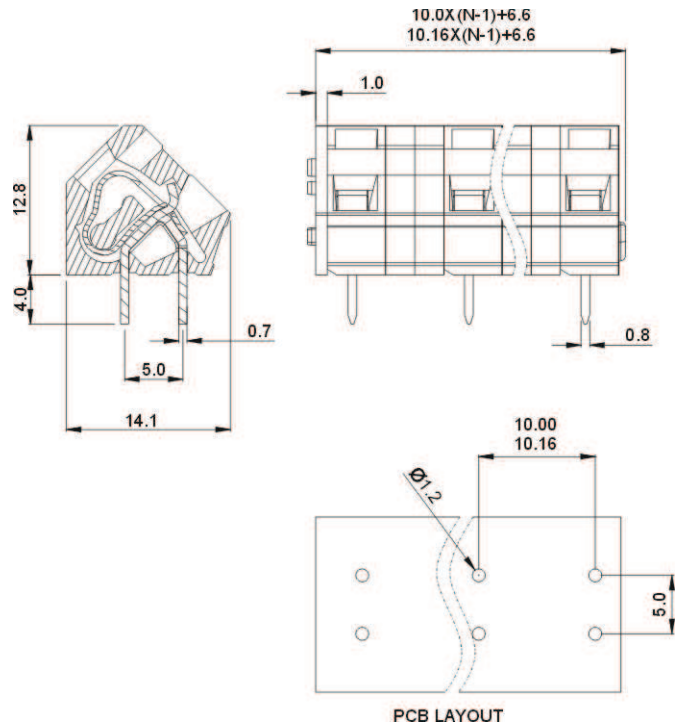
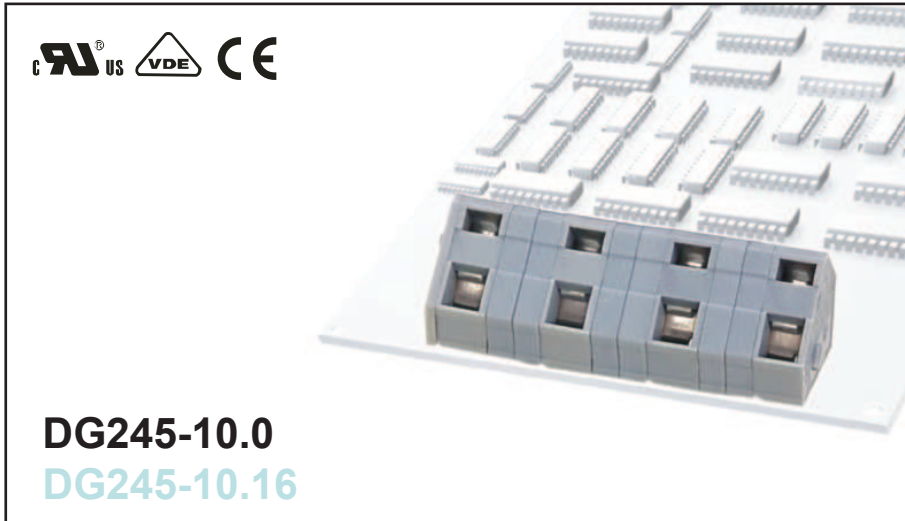




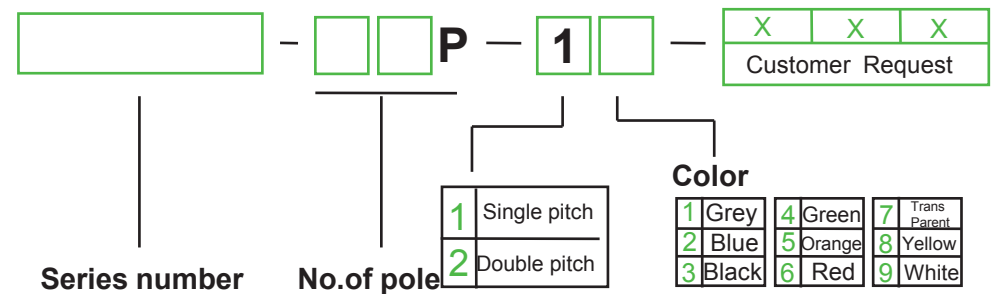
# DEGSON ELECTRONICS CO., LTD.

## Product Specification



<b>Approval</b>		
<b>Electrical</b>		
<b>Standard</b>	<b>UL</b>	<b>IEC</b>
Rated voltage	300V	1000V
Rated current	15A	17A
Wire range	28-12AWG	0.2-2.5mm <sup>2</sup>
Withstanding voltage	AC3500V/1Min	
<b>Mechanical</b>		
Ambient temperature	-40°C ~ +105 °C	
Strip length	5-6mm	
<b>Dimensions</b>		
Pitch	10.0mm (.394" ) 10.16 (.400" )	
Poles	1P-XXP	
<b>Material</b>		
Housing	PA66,UL94V-0	
Pin header	Phosphor bronze, Tin plated	
Wire guard	Stainless steel	

### HOW TO ORDER :



	<b>DEGSON ELECTRONICS CO., LTD.</b>
	<b>NAME</b> <b>DG245-10.0, DG245-10.16</b>