

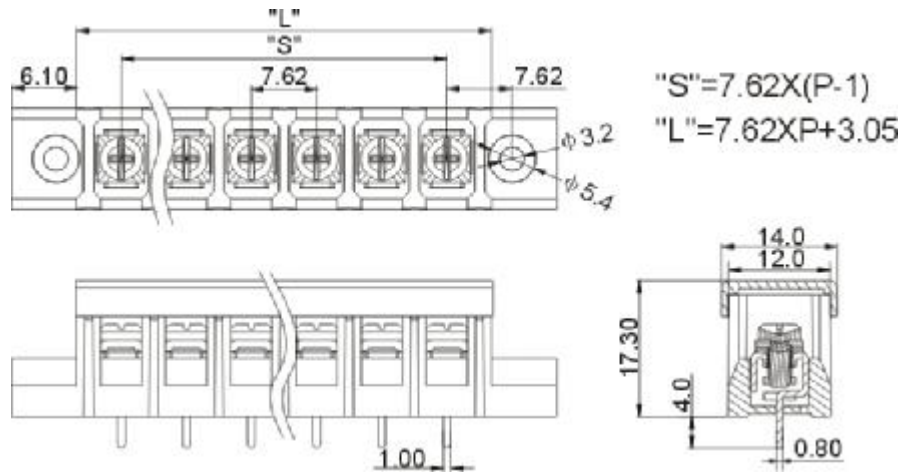


# DEGSON ELECTRONICS CO., LTD.

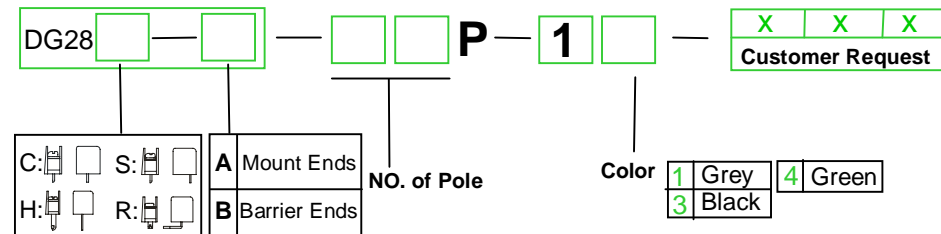
## Product Specification



<b>Approval</b>	c	
<b>Electrical Standard</b>	<b>UL</b>	<b>IEC</b>
Rated voltage	300V	250V
Rated current	15A	24A
Wire range	22-14AWG	2.5mm <sup>2</sup>
With standing voltage	AC2000V/1Min	
Insulation Resistance	500M $\Omega$ /DC500V	
<b>Mechanical</b>		
Max. Torque Value	0.5N.m 4.4Lb.in	
Ambient temperature	-40 $^{\circ}$ C ~+105 $^{\circ}$ C	
<b>Dimensions</b>		
Pitch	7.62mm(.300")	
Poles	2P-24P	
<b>Material</b>		
Housing	PA66+23%GF,UL94V-0	
Terminal	Brass,0.8t Tin plated	
Screws	Steel,M3 Ni plated	



### HOW TO ORDER :



<b>Poles</b>	2	3	4	5	6	7	8	9	10	11	12	13	14	15
<b>L(mm)</b>	18.29	25.91	33.53	41.15	48.77	56.39	64.01	71.63	79.25	86.87	94.49	102.11	109.73	117.35
<b>S(mm)</b>	7.62	15.24	22.86	30.48	38.10	45.72	53.34	60.96	68.58	76.20	83.82	91.44	99.06	106.68
<b>Poles</b>	16	17	18	19	20	21	22	23	24	25	26	27	28	
<b>L(mm)</b>	124.97	132.59	140.21	147.83	155.45	163.07	170.69	178.31	185.93	193.55	201.17			
<b>S(mm)</b>	14.30	14.30	14.30	14.30	14.30	14.30	14.30	14.30	14.30	14.30	14.30	14.30	14.30	14.30

 	<b>DEGSON ELECTRONICS CO., LTD.</b>
<b>NAME</b>	<b>DG28C-A</b>