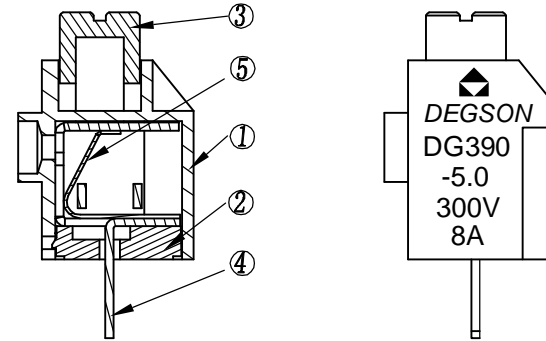
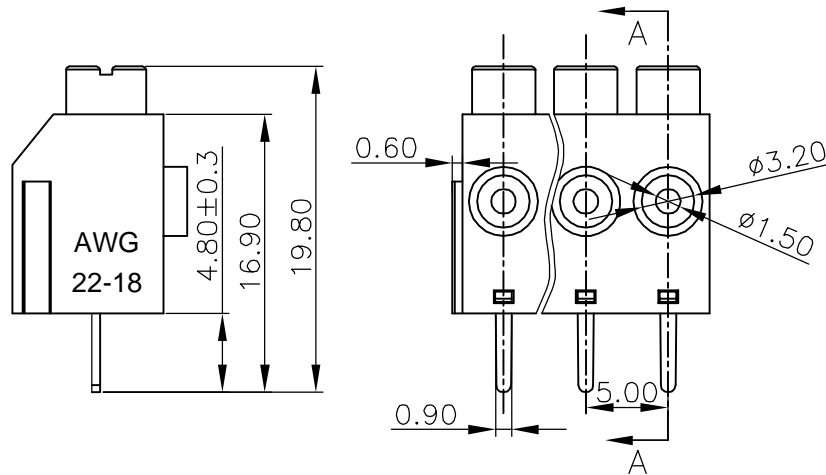
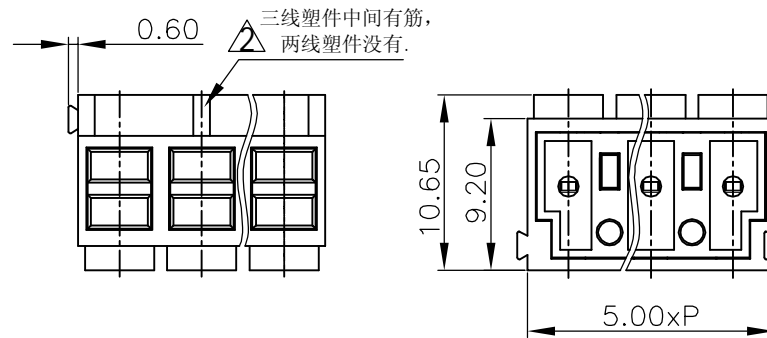


REVISION RECORD				
REV	ECO	DESCRIPTION	DRFT	DATE
△		料号由3006D0Y01A 变更为3006D05010.	CSX	12/15/05'
△		增加区分两线三线的标注	CSX	03/16/06'
△		料号由3006D05010 变更为3006D0501A.	CSX	12/21/06'



SECTION A-A



Notes:

1. Pitch: 5.0MM;
2. Rated current: 8A;
3. Rated voltage: 300V;
4. Operation temperatures: -30° C ~ +120° C;
5. Withstanding Voltage: AC1500V/1min;
6. Insulation resistance: 5000MΩ/1000V;
7. Wire range: 22-18AWG, 1.0mm<sup>2</sup>;
8. Undimensioned Tolerances:

Pitch range in mm			Normal dimension range in mm					
to 6	over 6 to 10	over 10 to 24	to 6	over 6 to 30	over 30 to 90	over 90 to 200	over 200 to 480	□
±0.10	±0.15	±0.25	±0.1	±0.2	±0.3	±0.5	±0.7	0.05/10

5	DG390-5.0-Clamp	X00000800 (H)	XX	Stainless	Steel
4	DG390-5.0-Pin header	3006B00010 (H)	XX	Brass	Snce
3	DG390-5.0-Button	3006D0501A (H)	△	PC	UL94V-2

2	DG390 Cover	3006C0YXXA (H)	1	PBT	UL94V-0
1	DG390 Housing	3006A0YXXA (H)	1	PBT	UL94V-0
ITEM	NAME OF PART	NO. OF PART	Q'TY	MATERIAL	NOTES
DETAILED LISTS		MM (INCH)	DFTO DZJ	DATE 11/09/05'	宁波高正电子有限公司 DEGSON ELECTRONICS CO., LTD NAME: DG390-5.0-XXP-1Y-00A(H)
TOLERANCES EXCEPT AS NOTED		MM	CHKD	DATE	
		MM	MFO	DATE	
		MM	APPVL	DATE	
		.0 ±			MATERIAL :
		.00 ±			
		.000 ±			
ANGLES ± 1°		G.E :		DRAWING NO. DG390-5.0-E04	
THIRD ANGLE PROJECTION		FINISH :		/PART NO.	
		SCALE :		DO NOT SCALE DRAWING	
			SHEET 1		OF 1