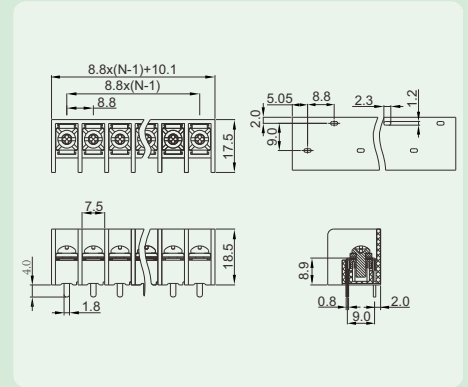


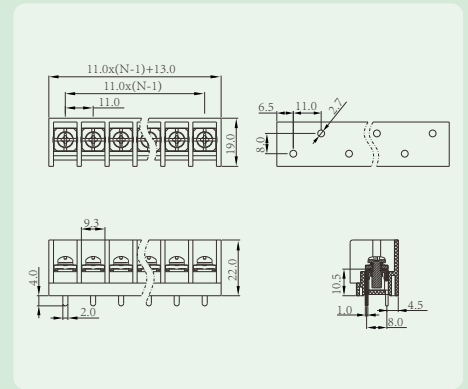
## DG 46 APPROVAL:CE

- 栅栏式结构, 可用OT/U型头连接;
- 前后焊脚错位设计, 满足UL C级, 600V要求;
- 最大线径: 12AWG.
- Barrier structure, OT/U type terminal connection available;
- Z pinning design, to guarantee the UL C class 600V;
- Max. wire range: 12AWG.



## DG 66 APPROVAL:CE

- 栅栏式结构, 可用OT/U型头连接;
- 前后焊脚错位设计, 满足UL C级, 600V要求;
- 最大线径: 10AWG.
- Barrier structure, OT/U type terminal connection available;
- Z pinning design, to guarantee the UL C class 600V;
- Max. wire range: 10AWG.



## 技术参数 Technical Data

型号 Model	线径 Wire range	线数 Poles	IEC技术参数 (datasheet)		UL技术参数 (datasheet)	
			电压(V) Rated voltage	电流(A) Rated current	电压(V) Rated voltage	电流(A) Rated current
DG 46	24-12AWG	02-24P	—	—	600V	20A
DG 66	22-10AWG	02-25P	—	—	600V	30A

## 应用行业 Application

工业自动化、电力电器等行业。  
Industrial automation, power etc.

## 产品包装方式 Packing

Product model	Pcs./Pkt.	Product model	Pcs./Pkt.
DG46-02P	300	DG66-02P	200
DG46-03P	450	DG66-03P	315
DG46-04P	350	DG66-04P	245
DG46-05P	270	DG66-05P	195
DG46-06P	230	DG66-06P	155
DG46-07P	200	DG66-07P	145
DG46-08P	170	DG66-08P	120
DG46-09P	150	DG66-09P	100
DG46-10P	140	DG66-10P	95

## 产品订货 How to order

DG 66	-	X	X	P	-	1	Y	-	X	X	X	X
Series No.	No. of Pole	Color							Customer Request			
1	Single pitch	1	Grey	6	Orange	9	White					
2	Double pitch	2	Blue	7	Red							
		3	Black	8	Transparent							
		4	Green	5	Yellow							