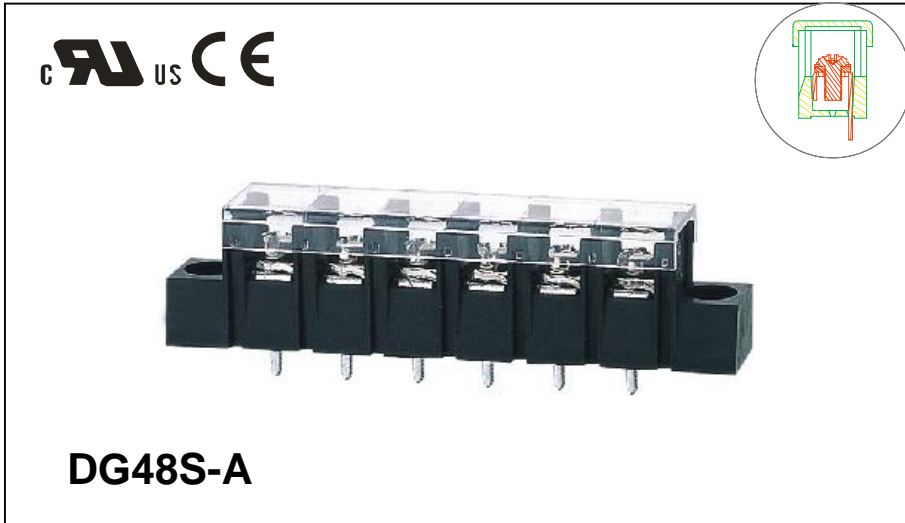


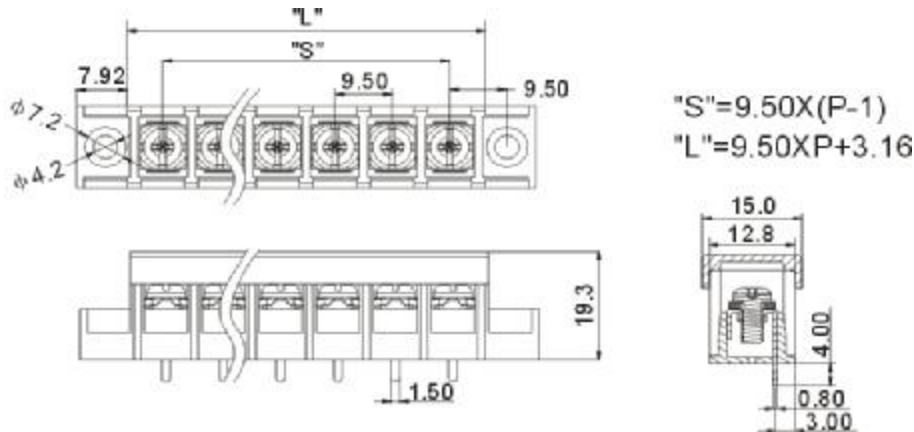


# DEGSON ELECTRONICS CO., LTD.

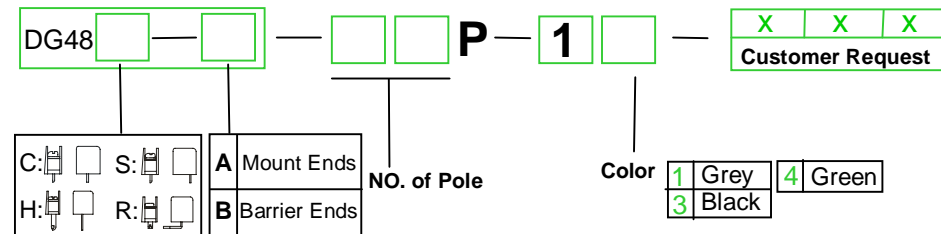
## Product Specification



<b>Approval</b>	c	
<b>Electrical Standard</b>	<b>UL</b>	<b>IEC</b>
Rated voltage	300V	450V
Rated current	20A	32A
Wire range	22-12AWG	4.0mm <sup>2</sup>
With standing voltage	AC2000V/1Min	
Insulation Resistance	500M $\Omega$ /DC500V	
<b>Mechanical</b>		
Max. Torque Value	1.2N.m 10.6Lb.in	
Ambient temperature	-40 $^{\circ}$ C~+105 $^{\circ}$ C	
<b>Dimensions</b>		
Pitch	9.5mm(.375")	
Poles	2P-20P	
<b>Material</b>		
Housing	PA66+23%GF,UL94V-0	
Terminal	Brass,0.8t Tin plated	
Screws	Steel,M4 Ni plated	



### HOW TO ORDER :



<b>Poles</b>	2	3	4	5	6	7	8	9	10	11	12	13	14	15
<b>L(mm)</b>	22.16	31.66	41.16	50.66	60.16	69.66	79.16	88.66	98.16	107.66	117.16	126.66	136.16	145.66
<b>S(mm)</b>	9.50	19.00	28.50	38.00	47.50	57.00	66.50	76.00	85.50	95.00	104.50	114.00	123.50	133.50
<b>Poles</b>	16	17	18	19	20	21	22	23	24	25	26	27	28	
<b>L(mm)</b>	155.16	164.66	174.16	183.66	193.16	202.66	212.16	221.68	231.16	240.66	250.16			
<b>S(mm)</b>	142.50	152.00	161.50	171.00	180.50	190.00	199.50	209.00	218.50	228.00	237.50			

	DEGSON ELECTRONICS CO., LTD.
	<b>NAME</b> <b>DG48S-A</b>