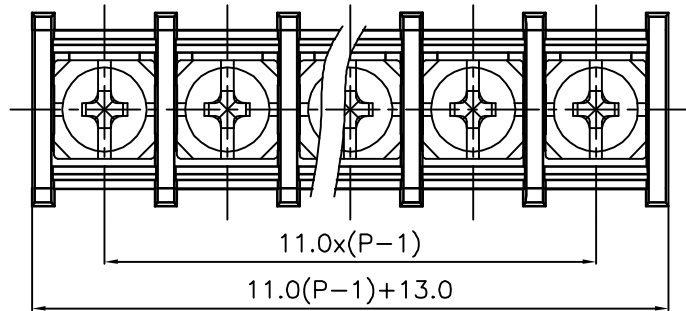


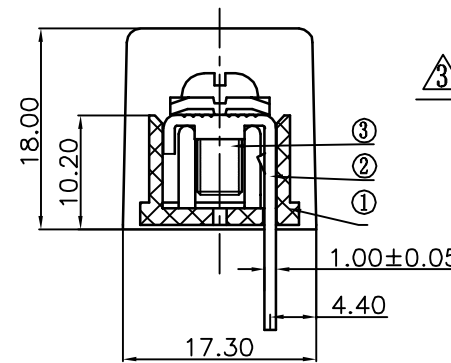
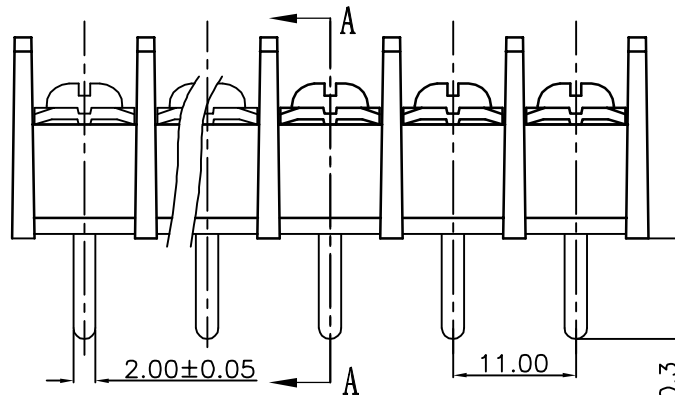
REVISION RECORD				
REV	ECO	DESCRIPTION	DRFT	DATE
△		图面更新	册	06/05/06'
△		增加UL刻字	CSX	11/23/06'
△		品名、料号增加环保标识“(H)”	YeJ	12/08/07'

Notes:

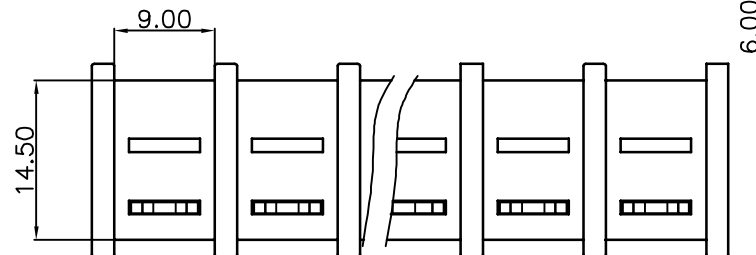
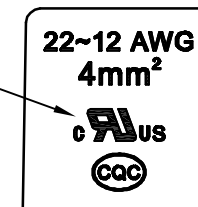
- Pitch:11.0mm Pole:2-22P
- Rated current:20A
- Rated voltage:300V
- Operation temperatures:-40°C~+105°C
- Withstanding Voltage:AC2000V/1Min
- Insulation Resistance:500MΩ/DC500V
- Wire Range:22~12AWG
- Max. Torque Value: 12.24kgf. cm.
- Undimensioned Tolerances:



Pitch range in mm		Nominal dimension range in mm						
to	6	over 10 to 24	over 30 to 30	over 60 to 60	over 100 to 100	over 150 to 150	—	
±0.10	±0.15	±0.25	±0.2	±0.3	±0.5	±0.7	±1.0	
							0.05/10	



Section A-A



3	4*8 big cover and bright Screws	S000000580 (H)	XX	Steel	Ni Plated
2	DG65S Pin header	5005B00100 (H)	XX	Brass	SnCe
1	DG65S-B housing	5005A0YXXA (H)	1	PA66	UL94V-0
ITEM	NAME OF PART	NO. OF PART	Q'TY	MATERIAL	NOTES

DETACHED LISTS	MM (INCH)	DFTO Haoyh	DATE 03/03/04'	宁波高正电子有限公司 DEGSON ELECTRONICS CO., LTD NAME: DG65S-B-XXP-1Y-00A(H)	
	TOLERANCES EXCEPT AS NOTED	CHKD	DATE		
		MFO	DATE		
		APPVL	DATE		
	MM	±			
	.00 ±	±			
	.000 ±	±			
	ANGLES ± 1°	G.E :			
	THIRD ANGLE PROJECTION	FINISH :			
		SCALE : 1:1			
DRAWING NO. DG65S-E01			SIZE A3	REV T4	
/PART NO.			12/08/07'		
DO NOT SCALE DRAWING				SHEET 1	OF 1