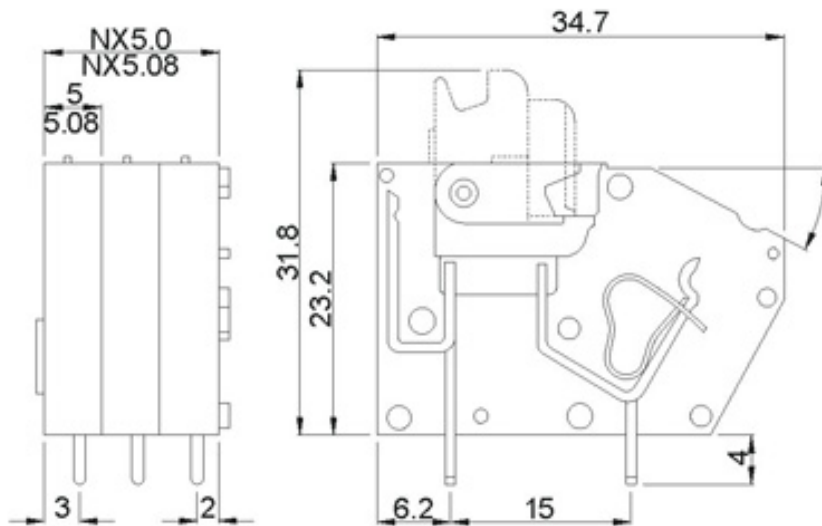




DEGSON ELECTRONICS CO., LTD.

Product Specification



Approval

Electrical

Standard	UL	IEC
Rated voltage	300V	250V
Rated current	10A	16A
Wire range	28-12AWG	2.5mm ²
With standing voltage	AC2000V/1Min	

Mechanical

Ambient temperature	-40°C~+105°C
Strip length	8-9mm

Dimensions

Pitch	5.0mm(.197")/5.08mm(.200")
Poles	1P-XXP

Material

Housing	PA66, UL94V-0
Pin header	Phosphor bronze, Tin plated
Wire guard	Stainless steel

HOW TO ORDER



Series Number Number of Pole

1	Single pitch
2	Double pitch

Color

1	Grey	4	Green	7	Trans-parent
2	Blue	5	Orange	8	Yellow
3	Black	6	Red	9	White



DEGSON ELECTRONICS CO., LTD.

NAME

DG742-5.0
DG742-5.08