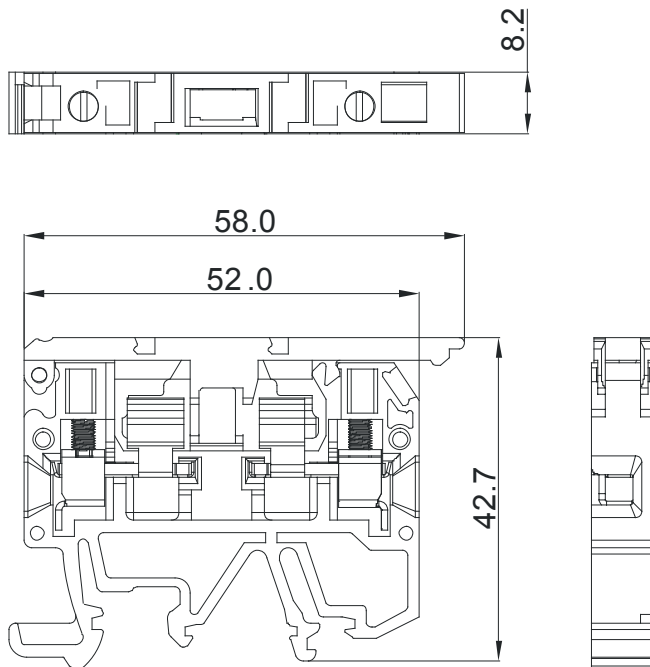
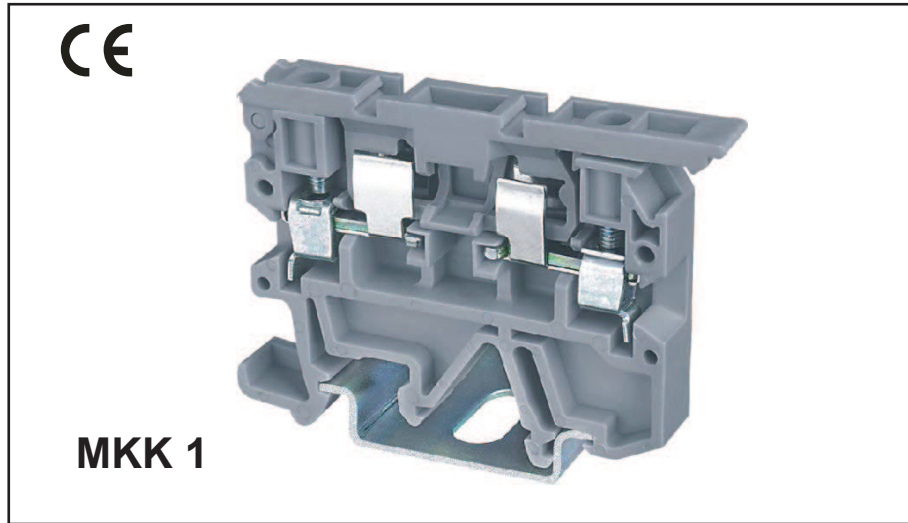




# DEGSON ELECTRONICS CO., LTD.

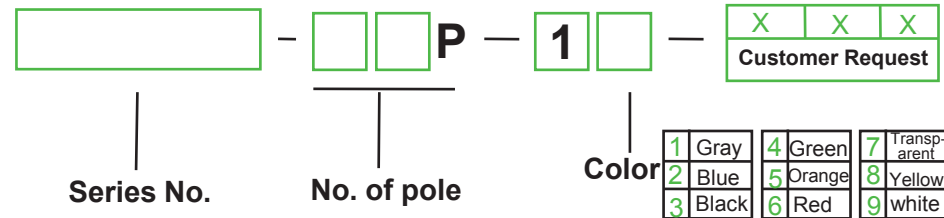
## Product Specification



<b>Approval</b>	<b>CE</b>	
<b>Electrical</b>	<b>UL</b>	<b>IEC</b>
Standard	300V	500V
Voltage	6.3A	6.3A
Current	Wire size	22-12AWG
Wire size	T/W/End plate	8/58/1.5mm
T/W/End plate	Height(NS35:7.5/NS35:15/NS32)	44/51.5/45.5mm
Height(NS35:7.5/NS35:15/NS32)	Rated surge voltage/Contamination class	6KV/3
Rated surge voltage/Contamination class	Stripping length	9mm
Stripping length	Screw thread/Tightening torque	M3/0.5N.m/4.4Lb-in
Screw thread/Tightening torque	Insulating material/Inflammability class	PAV-0
Insulating material/Inflammability class		

Specification	Model	Pieces
(1)Terminal block	MKK 1	100
(2)Cover	D-MKK 1	100
(3)Partition plate		
(4)Separating plate		
(5)Cross connection links		
(6)Protective covers		
(7)Test plug		
(8)Lockout device		
(9)Test plug	TH	100
(8)Zack strip	DEK 6	100

### HOW TO ORDER :



	<b>DEGSON ELECTRONICS CO., LTD.</b>
 THROANGLE PROJECTION	<b>NAME</b> <b>MKK 1</b>