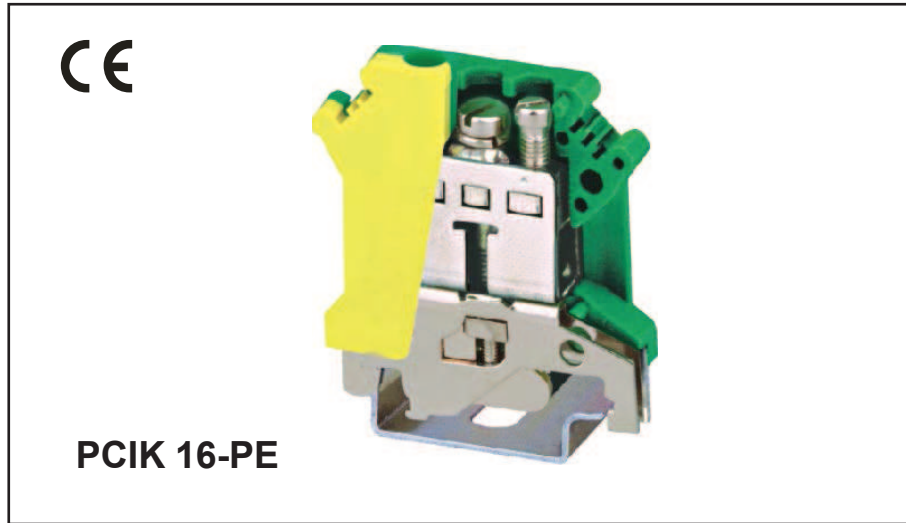



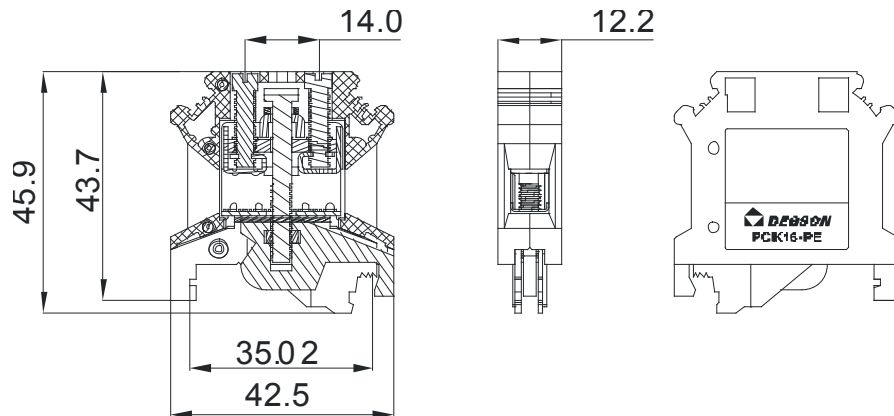


DEGSON ELECTRONICS CO., LTD.

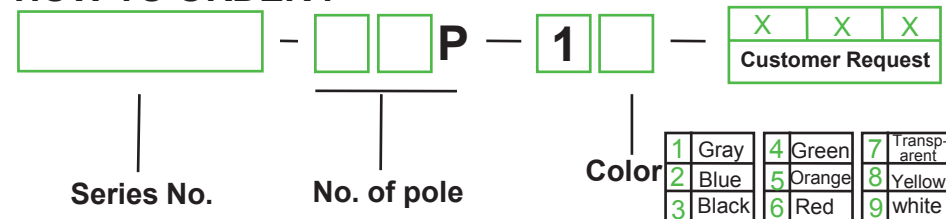
Product Specification



Approval	CE	
Electrical	UL	IEC
Standard	-	-
Rated voltage	-	-
Rated current	-	-
Wire size	12-4AWG	4-16mm ²
T/W/End plate	12.5/42.5/-mm	
Height(NS35:7.5/NS35:15/NS32)	47/54.5/52mm	
Rated surge voltage/Contamination class	6KV/3	
Stripping length	11mm	
Terminal screw: thread/torque	M4/1.2N.m/10.5Lb-in	
Mounting screw: thread/torque	M4/1.2N.m/10.5Lb-in	
Internal cylindrical gage	B7	
Insulating material/Inflammability class	PA/V-0	
Specification	Model	Pieces
(1)Ground Terminal block	PCIK 16-PE	50
(2)Zack strip 	ZB 10	



HOW TO ORDER :



	DEGSON ELECTRONICS CO., LTD.
 THROANGLE PROJECTION	NAME PCIK 16-PE