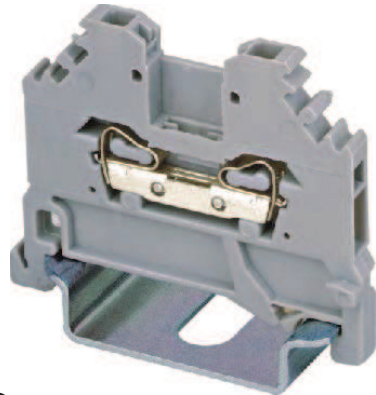




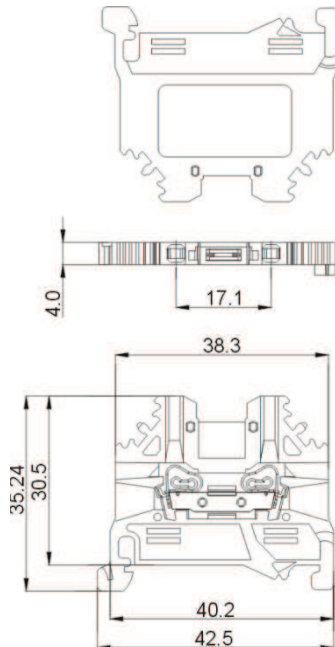
DEGSON ELECTRONICS CO., LTD.

Product Specification

CE



WS 1.5-SD



Approval		CE	
Electrical			
Standard	UL	IEC	
Rated voltage	600V	800V	
Rated current	10A	17.5A	
Wire size	28-16AWG	0.2-1.5mm ²	
T/W/End plate		4/42.5/2.5mm	
Height(NS35:7.5/NS35:15)		38/45.5mm	
Rated surge voltage/contamination class		8KV/3	
Stripping length		10mm	
Insulating material/Inflammability class		PAV-0	
Specification		Model	Pieces
(1)Terminal block		WS 1.5-SD	100
(2)Cover		D-WS 1.5-SD	100
(3)Adjacent jumper		WFA-1.5	500
(4)Alternate jumper		WFB-1.5	350
(5)Protective warning marker		EEA-1.5	100
(6)Zack strip		ZB4	100

HOW TO ORDER :

- P - 1 -

X	X	X
Customer Request		

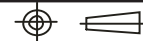
Series No.

No. of pole

Color

1	Gray	4	Green	7	Transp-arent
2	Blue	5	Orange	8	Yellow
3	Black	6	Red	9	white

mm
(INCH)



THIROANGLE PROJECTION



DEGSON ELECTRONICS CO., LTD.

NAME

WS 1.5-SD