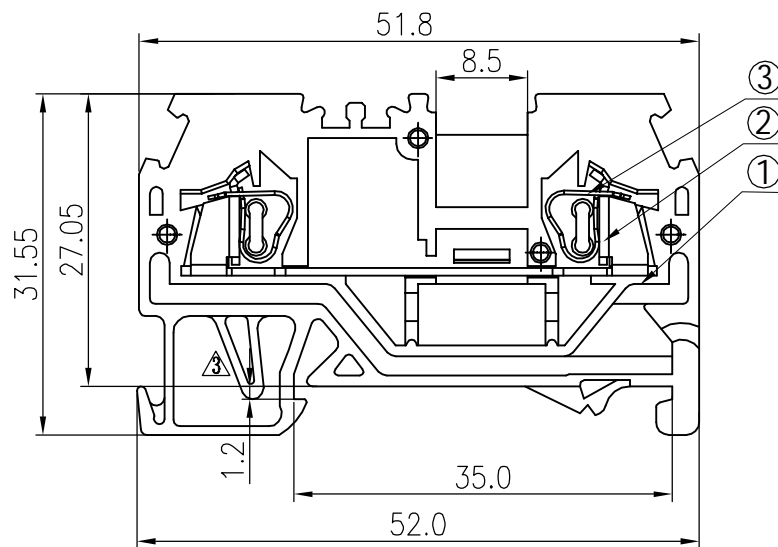
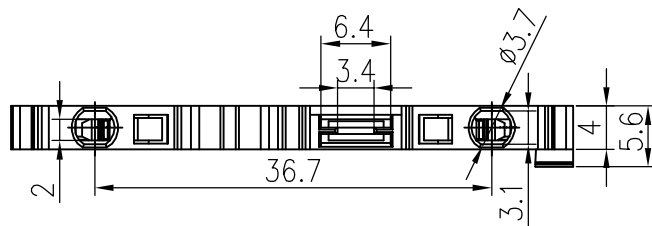
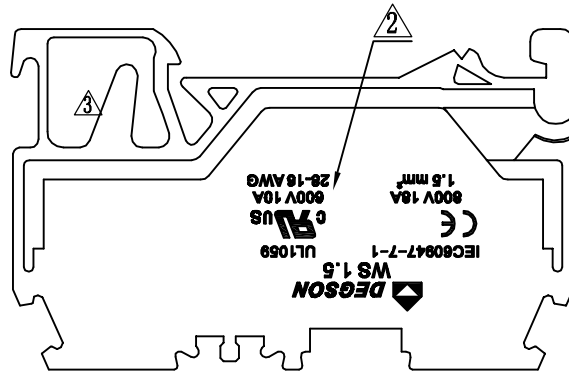


REVISION RECORD					
REV	ECO	DESCRIPTION	DRFT	DATE	
△		品名、料号增加环保标示“(回)”	LJH	12/10/07	
△		增加UL刻字及参数	Zengy	09/06/08	
△		增加限位结构	CW	06/18/09	



Notes:

- Rated voltage/current:UL 600V/10A
IEC 800V/18A
- Operation temperatures:-40°C~+105°C
- Withstanding Voltage:AC3000V/1Min
- Insulation Resistance:5000MΩ /DC1000V
- Wire Range:28~16AWG, 1.5mm²
- Undimensioned Tolerances:

Pitch range in mm		Nominal dimension range in mm							
	over 6	over 10		over 30	over 60	over 100	over 150	∩	
to	to 10	to 24	to 30	to 60	to 100	to 150		◇	
	±0.10	±0.15	±0.25	±0.2	±0.3	±0.5	±0.7	±1.0	0.05/10

3	WS 1.5-Shrapnel	X000001700(H)	2	Stainless Steel	
2	WS 1.5-Current Carrier	6026B00010(H)	1	Copper	SnCe plated

1	WS 1.5-Housing	6026A0Y01A(H)	1	PA66	UL94V-0
ITEM	NAME OF PART	NO. OF PART	Q'TY	MATERIAL	NOTES
DETACHED LISTS	MM (INCH)	DFTO Yangys	DATE 06/01/07	宁波高正电子有限公司 DEGSON ELECTRONICS CO., LTD NAME WS 1.5-01P-1Y-00A(H) DRAWING NO. WS 1.5-E01 /PART NO. SIZE A3 REV T3 05/18/08	
	TOLERANCES EXCEPT AS NOTED	CHKD	DATE		
	MM	MFO	DATE		
	.0 ±	APPVL	DATE		
	.00 ±	MATERIAL :			
.000 ±	ANGLES ± 1°	G.E :			
	THIRD ANGLE PROJECTION	FINISH :		DO NOT SCALE DRAWING	SHEET 1 OF 1