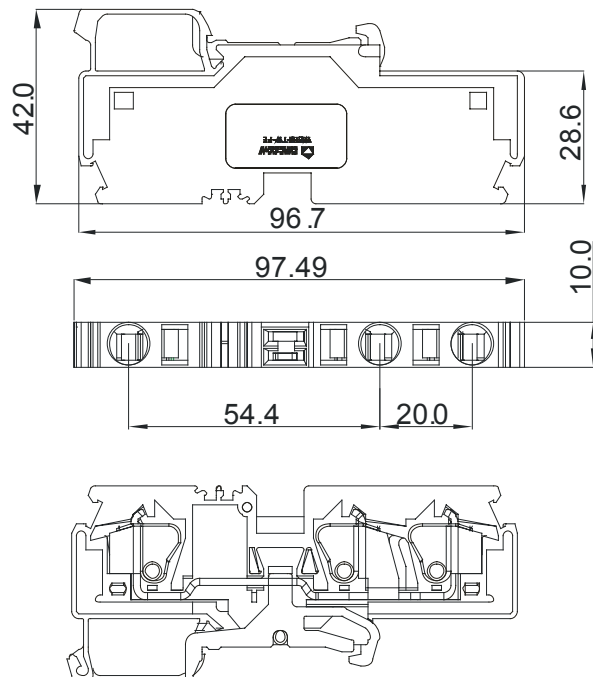
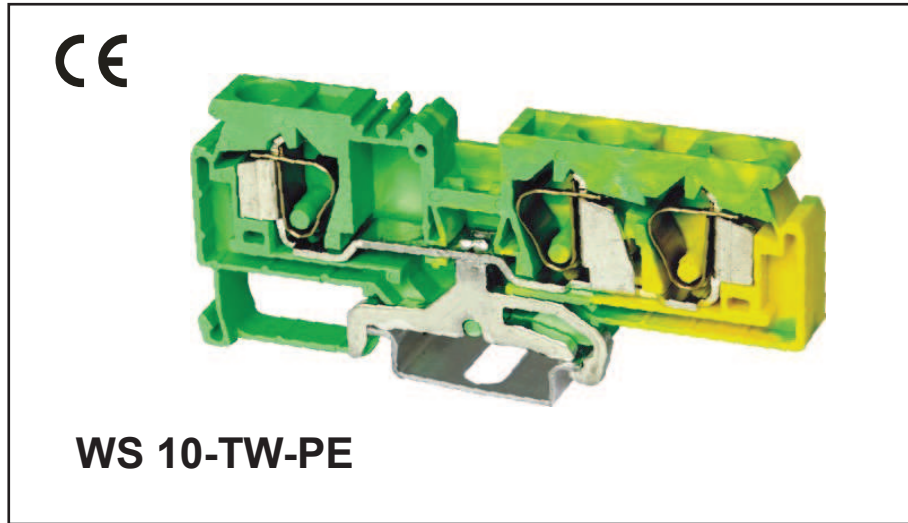




# DEGSON ELECTRONICS CO., LTD.

## Product Specification



Approval		CE	
<b>Electrical</b>		<b>UL</b>	<b>IEC</b>
Standard		-	-
Rated voltage		-	-
Rated current		-	-
Wire size		24-8AWG	0.2-10mm <sup>2</sup>
T/W/End plate			10/97.5/2.5mm
Height(NS35:7.5/NS35:15)			42.5/50mm
Rated surge voltage/contamination class			18mm
Stripping length			PAV-0
Insulating material/Inflammability class			
Specification		Model	Pieces
(1)Terminal block		WS 10-TW-PE	25
(2)Cover		D-WS 10-TW	100
(3)Adjacent jumper		WFA-10	100
(4)Alternate jumper		WFB-10	50
(5)Staggered jumper			
	1-2 1-5 1-3 1-6 1-4 1-8		
(6)Insulation stop			
(7)Protective warning marker		EEA-10	50
(8)Test plug adapter			
(9)Test plug			
(9)Zack strip		ZB10	200

### HOW TO ORDER :

-  **P** -   - 

X	X	X
Customer Request		

| Series No. | No. of pole | Color

1	Gray	4	Green	7	Transp-arent
2	Blue	5	Orange	8	Yellow
3	Black	6	Red	9	white

	<b>DEGSON ELECTRONICS CO., LTD.</b>
	<b>NAME</b> <b>WS 10-TW-PE</b>