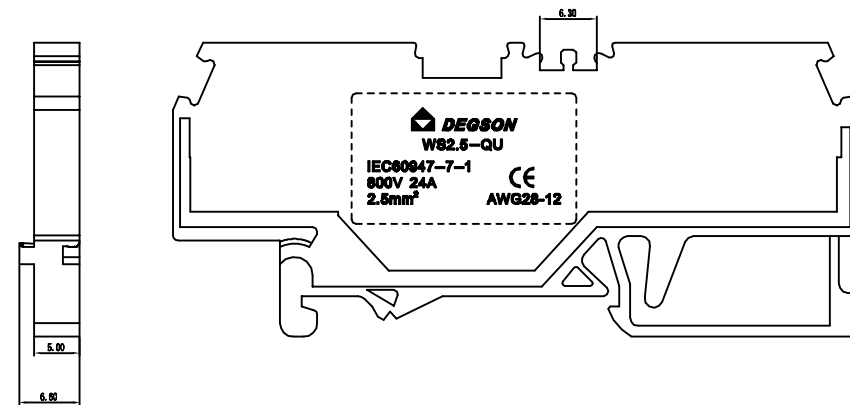
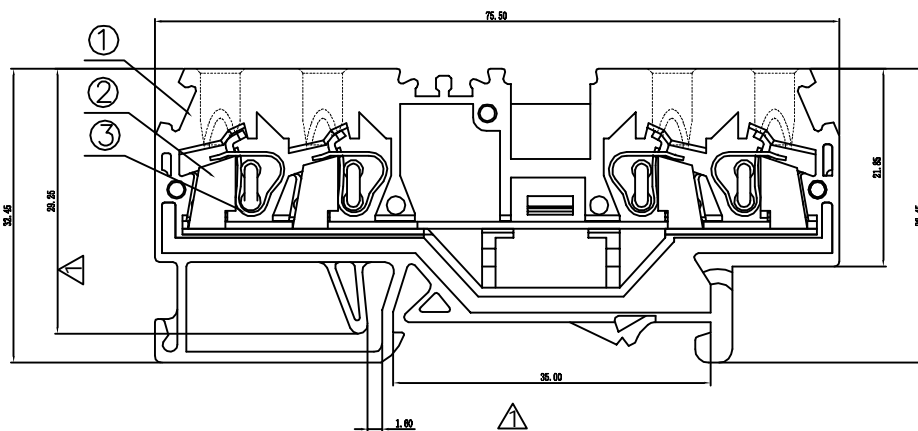
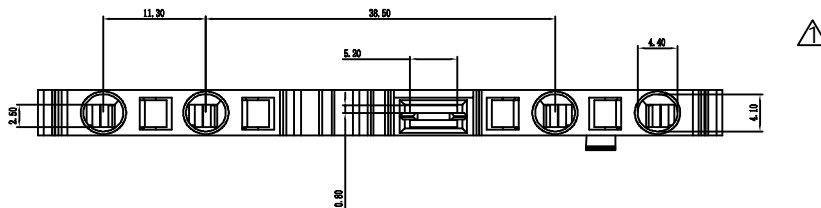


REVISION RECORD				
REV	ECO	DESCRIPTION	DRFT	DATE
△		结构修改	HXG	04/14/05



Notes:

1. Rated current/voltage: UL1059
600V/15A

IEC

800V/24A

2. Operation temperatures: -40°C ~ +105°C

3. Withstanding Voltage: AC8000V/1min

4. Insulation

Resistance: 1000MΩ / DC500V

5. Wire Range: 28~12AWG, 2.5mm²

Pitch range in mm			Nominal dimension range in mm					
	over 6	over 10	over 30	over 60	over 100	over 150		
to 6	to 10	to 24	to 30	to 60	to 100	to 150	∩	
±0.10	±0.15	±0.25	±0.2	±0.3	±0.5	±0.7	◇	
						±1	0.05/10	

3	DG242-5.0-Shrapnel	X000000990(H)	4	Stainless steel																	
2	WS2.5-QU-Current	6140B00010(H)	1	Copper	SnCe plat																
1	WS2.5-QU-Housing	6140A0Y01A(H)	1	PA66	UL94V-0																
ITEM	NAME OF PART	NO. OF PART	Q'TY	MATERIAL	NOTES																
<table border="1"> <tr> <td>DEPTO</td> <td>LYK</td> <td>DATE</td> <td>02/29/08</td> </tr> <tr> <td>CHKD</td> <td></td> <td>DATE</td> <td></td> </tr> <tr> <td>MPO</td> <td></td> <td>DATE</td> <td></td> </tr> <tr> <td>APPVL</td> <td></td> <td>DATE</td> <td></td> </tr> </table>		DEPTO	LYK	DATE	02/29/08	CHKD		DATE		MPO		DATE		APPVL		DATE		宁波高正电子有限公司 DEGSON ELECTRONICS CO., LTD			
DEPTO	LYK	DATE	02/29/08																		
CHKD		DATE																			
MPO		DATE																			
APPVL		DATE																			
<table border="1"> <tr> <td>MM</td> <td>±</td> </tr> <tr> <td>.0 ±</td> <td>±</td> </tr> <tr> <td>.000 ±</td> <td>±</td> </tr> </table>		MM	±	.0 ±	±	.000 ±	±	NAME WS2.5-QU-01P-1Y-00A (H)													
MM	±																				
.0 ±	±																				
.000 ±	±																				
<table border="1"> <tr> <td>ANGLES</td> <td>± 1°</td> </tr> </table>		ANGLES	± 1°	G. B : DRAWING NO. WS2.5-QU-E01 SIZE A3 REV T1 /PART NO. 04/14/08																	
ANGLES	± 1°																				
THIRD ANGLE PROJECTION		SCALE : 1:1		DO NOT SCALE DRAWING SHEET 1 OF 1																	