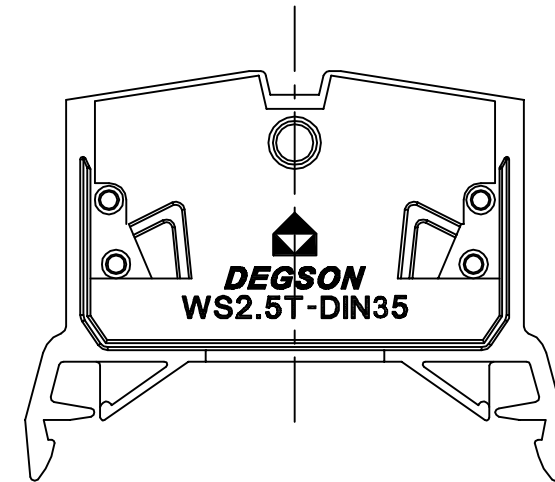
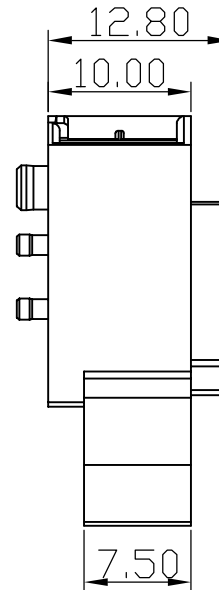
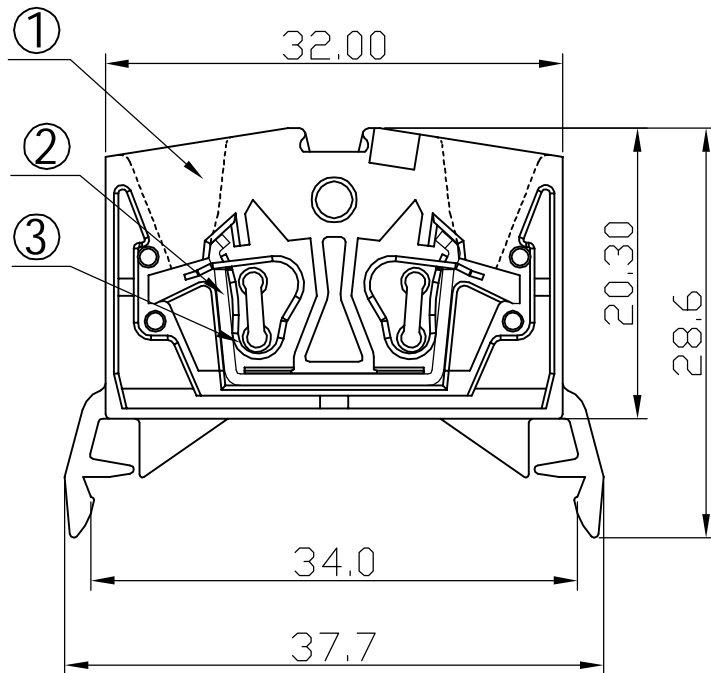
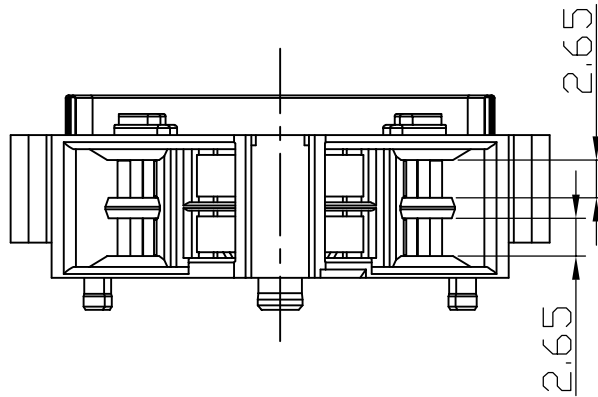


REVISION RECORD				
REV	ECD	DESCRIPTION	DRFT	DATE

Notes:

- Rated voltage/current:UL1059 600V/15A
IEC 800V/24A
- Operation temperatures:-40℃~+105℃
- Withstanding Voltage:AC3500V/1Min
- Insulation Resistance:1000MΩ/DC500V
- Wire Range:28~12AWG, 2.5mm²
- Undimensioned Tolerances:

Pitch range in mm			Nominal dimension range in mm					—
to	over	over	to	over	over	over	—	
6	6 to 10	10 to 24	30 to 60	60 to 100	100 to 150	150	∩ ◇	
±0.10	±0.15	±0.25	±0.2	±0.3	±0.5	±0.7	±1 0.05/10	



3	DG242-Shrapnel	X000000990(H)	4	Stainless steel	
2	WS2.5T-MID-CO-Current Carrier	6162B00010(H)	1	Copper	Tin Plated

ITEM	NAME OF PART	NO. OF PART	Q'TY	MATERIAL	NOTES
1	WS2.5T-DIN35-Housing	6159A0Y01A(H)	1	PA66	UL94V-0
DETACHED LISTS	MM (INCH)	DFTD Yangys	DATE	10/05/08*	宁波高正电子有限公司 DEGSON ELECTRONICS CO., LTD NAME WS2.5T-DIN35-01P-1Y-00A(H) DRAWING NO. WS2.5T-DIN35-E01 /PART NO.
	TOLERANCES EXCEPT AS NOTED	CHKD	DATE		
		MFD	DATE		
	MM	APPVL	DATE		
	.0 ±				
.00 ±					
.000 ±					
ANGLES ± 1°	G.E.				
THIRD ANGLE PROJECTION	FINISH:				
	SCALE : 1:1				
DO NOT SCALE DRAWING				SHEET 1	OF 1