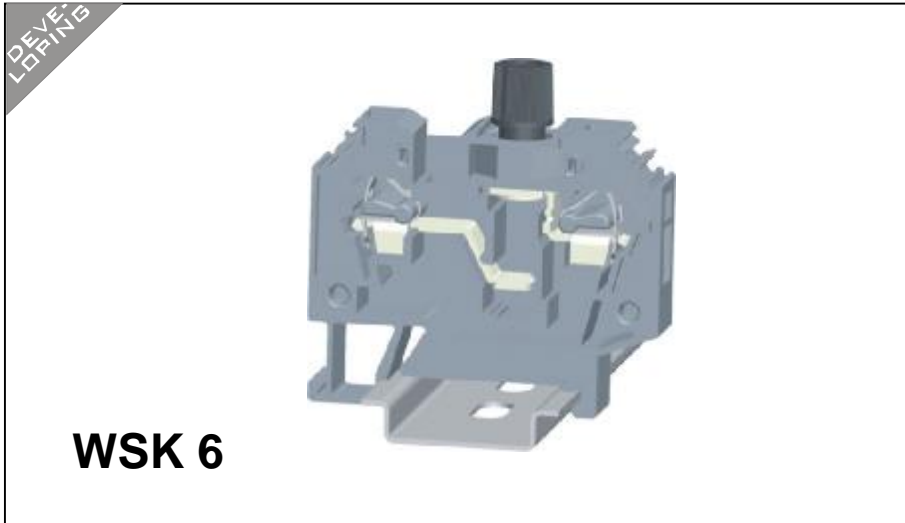




# DEGSON ELECTRONICS CO., LTD.

## Product Specification



Approval		
<b>Electrical</b>		
Standard	<b>UL</b>	<b>IEC</b>
Rated voltage	600V	500V
Rated current	10A	10A
Wire size	24-10AWG	0.2-6.0mm <sup>2</sup>
T/W/End plate		13/62/2.5mm
Height(NS35:7.5/NS35:15)		61.5/69mm
Rated surge voltage/contamination class		6KV/3
Stripping length		13mm
Insulating material/Inflammability class		PAV-0
Specification		
	Model	Pieces
(1)Terminal block	WSK 6	40
(2)Cover	D-WSK 6	50
(3)Adjacent jumper	WFA-6	100
(4)Alternate jumper	WFB-6	100
(5)Protective warning marker	EEA-6	25
(6)Zack strip	ZB10	

### HOW TO ORDER :

-  **P** -   - 

X	X	X
Customer Request		

Series No.                      No. of pole                      Color

1	Gray	4	Green	7	Transp-arent
2	Blue	5	Orange	8	Yellow
3	Black	6	Red	9	white

	<b>DEGSON ELECTRONICS CO., LTD.</b>
 THROANGLE PROJECTION	<b>NAME</b> <b>WSK 6</b>