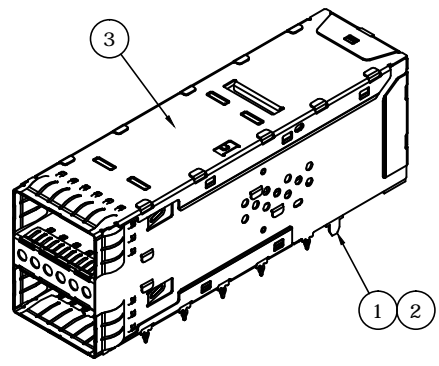
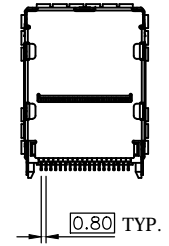
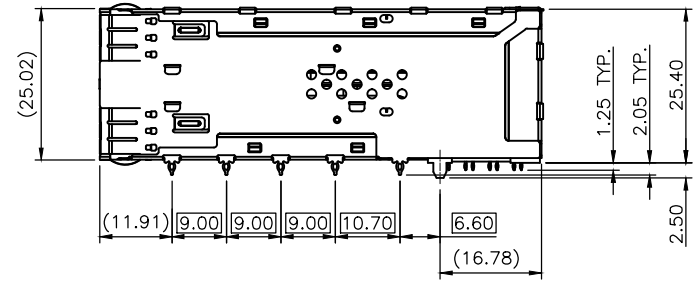
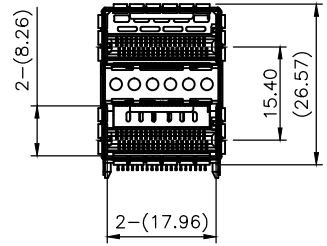
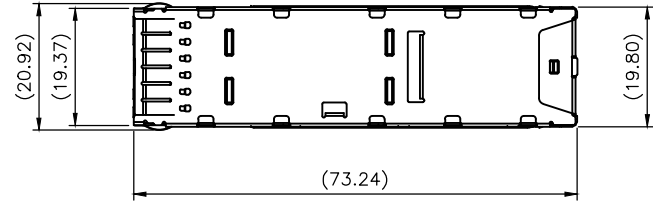


REV.	DESCRIPTION	DRAWN	DATE
1	INITIAL RELEASE	FROS	2016/09/12



3	CAGE	Stainless Steel
2	CONTACT	Copper Alloy, Gold plating on contact area, Matte Tin plating on tail area, under Nickel plating
1	HOUSING	High Temperature Thermoplastic, UL94V-0, Black
NO.	PART NAME	DESCRIPTION

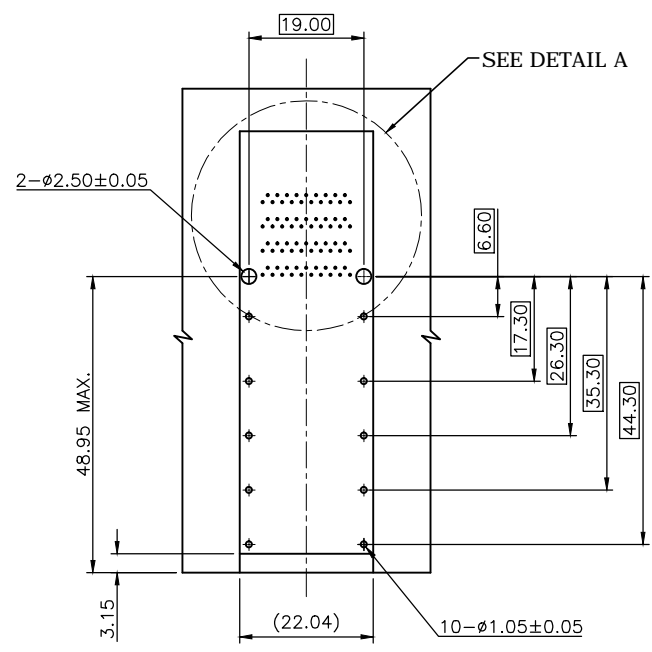
UNLESS OTHERWISE SPECIFIED TOLERANCE			
UNIT:	DECIMAL	LINEAR	ANGLES
mm	X.	±0.50	±5°
	X.X	±0.25	±3°
	X.XX	±0.12	±1°



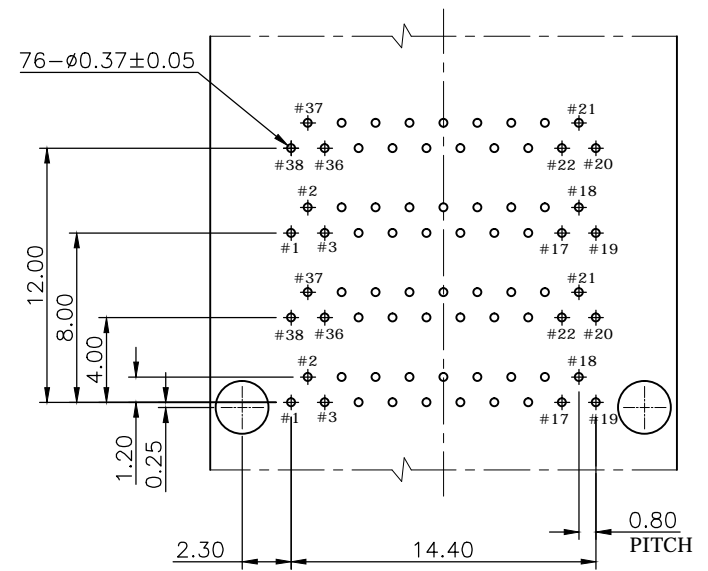
WWW.ATTEND.COM.TW

DRAWN	Fros	2016/09/12	DRAWN NAME: QSFP Connector, 2x1 Port Press fit type cage with connector 15u"
CHECKED	Tim	2016/09/12	
APPROVED	Ken	2016/09/12	PRODUCT NO. 223C-2103
	SCALE	0.8	FILE NAME
	SHEET	1/2	223C-2103_B_1
	SIZE	A4	

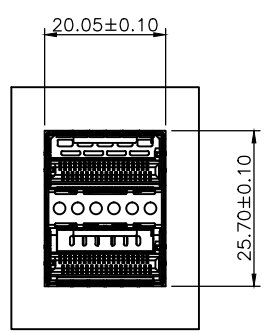
REV.	DESCRIPTION	DRAWN	DATE
	see sheet one		



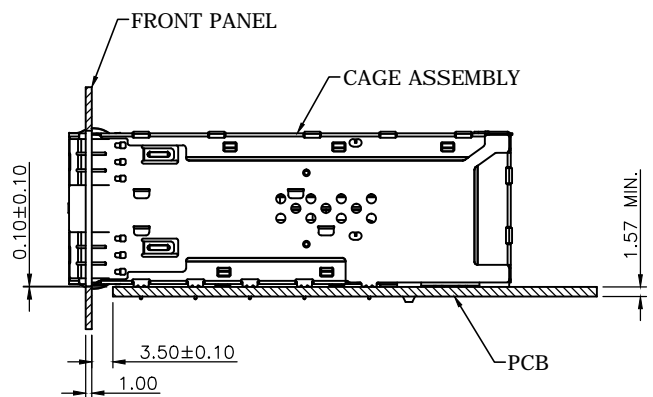
RECOMMENDED PCB LAYOUT (TOP VIEW)
 MINIMUM PCB THICKNESS OF 1.57mm
 GENERAL TOLERANCE: ±0.05




DETAIL A
 SCALE 2.8/1



RECOMMENDED PANEL CUTOUT



UNLESS OTHERWISE SPECIFIED TOLERANCE				 WWW.ATTEND.COM.TW
UNIT:	DECIMAL	LINEAR	ANGLES	
mm	X.	±0.50	±5°	
	X.X	±0.25	±3°	
	X.XX	±0.12	±1°	
DRAWN	Fros	2016/09/12	DRAWN NAME:	
CHECKED	Tim	2016/09/12	QSFPC Connector, 2x1 Port Press fit type cage with connector 15u"	
APPROVED	Ken	2016/09/12	PRODUCT NO. 223C-2103	
SCALE	0.8	SHEET	2/2	FILE NAME
		SIZE	A4	223C-2103_B_1