
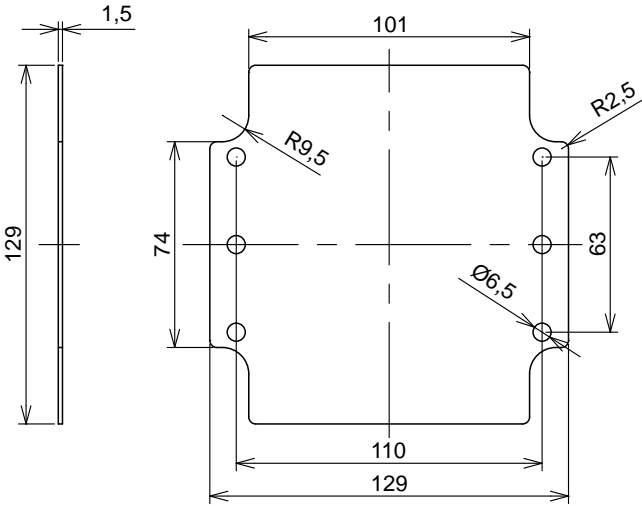
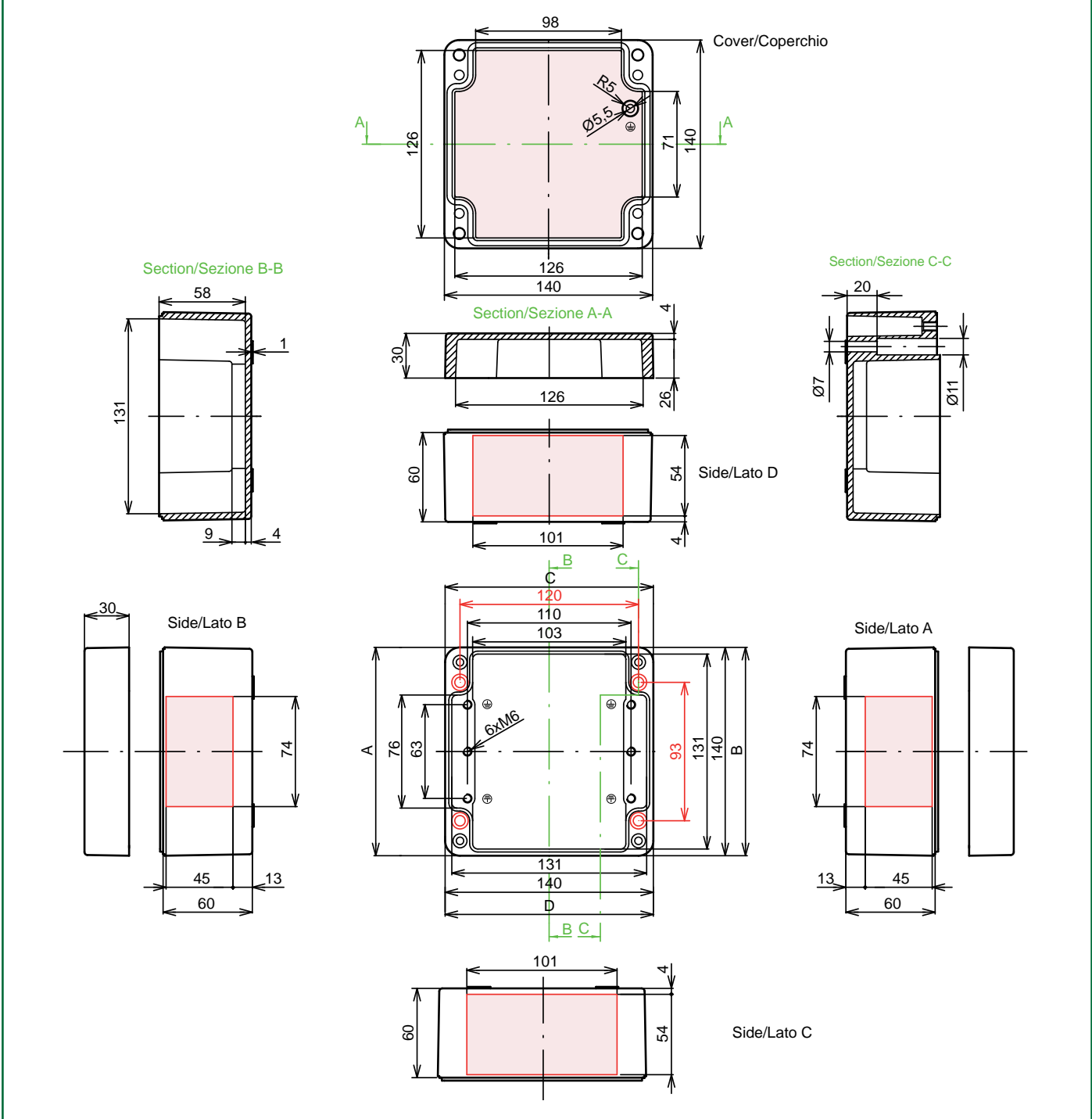


Model <i>Modello</i>	14.14.09	Outside dimensions <i>Dimensioni esterne</i>	140 x 140 x 91 mm	Type/Color <i>Tipo/Colore</i>	Part No. <i>Codice</i>
				STD - Grey/ <i>Grigio</i> RAL 7001	8100.8020.0
				STD - Light grey/ <i>Grigio</i> RAL 7035	8100.8120.0
				Sandblasted/Aluminium <i>Sabbiata/Alluminio</i>	8100.8220.0
				STD - Black/ <i>Nero</i> RAL 9005	8100.8320.1
				HT - Black/ <i>Nero</i> RAL 9005 For high temperature <i>Per alte temperature</i>	8100.8320.H
				Ex ATEX - Grey/ <i>Grigio</i> RAL 7001	8100.8020.7
<p><b>CE</b> <b>RoHS</b></p> <p>- IP66 / IP69 (EN 60569)</p> <p>- NEMA 250 / <i>NEMA 250</i>: Type 4,4x,12,13 for enclosures types STD - HT                      Type 4,12,13 for sandblasted enclosures, <i>per cassette sabbiate</i></p> <p>- Packing / <i>Imballo</i>: 1</p> <p>- For dedicated DIN rails and accessories see page: 03.85 - 03.88  <i>Per guide DIN dedicate ed accessori vedere pag:</i></p>					
<b>Metal plate - <i>Piastra di fondo</i></b>				<b>Material <i>Materiale</i></b>	<b>Part No. <i>Codice</i></b>
				Zinc-plated steel <i>Acciaio zincato</i>	8100.8420.0

<b>Model</b> <i>Modello</i>	<b>14.14.09</b>	<b>Outside dimensions</b> <i>Dimensioni esterne</i>	<b>140 x 140 x 91 mm</b>	
--------------------------------	-----------------	--	--------------------------	--



**Panel drillings for installation:**  
*Forature del pannello per l'installazione:*

The pink color identifies the allowed zones for drilling and threading operations.  
 Upon request, we supply drilled enclosures with or without cable glands and fittings according customer's requirements.  
*Il colore rosa indica le zone libere per operazioni di foratura e filettatura.*  
*Possiamo fornire cassette forate con o senza pressacavi e raccordi secondo il disegno del cliente*

ATEX - MAX M/Pg Thread - <i>Massima filettatura M/Pg</i>										
M	12	16	20	25	32	40	50	63		
Side Lato A/B	12	6	4	2	1					
Side Lato C/D	18	8	8	3	2					
<b>Pg</b>	<b>7</b>	<b>9</b>	<b>11</b>	<b>13.5</b>	<b>16</b>	<b>21</b>	<b>29</b>	<b>36</b>	<b>42</b>	<b>48</b>
Side Lato A/B	12	6	5	4	3	2	1			
Side Lato C/D	18	12	8	8	6	3	2			