
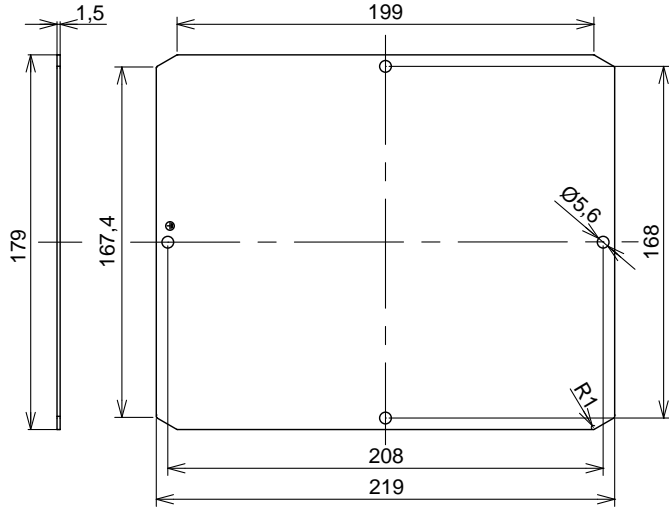
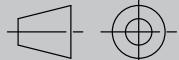
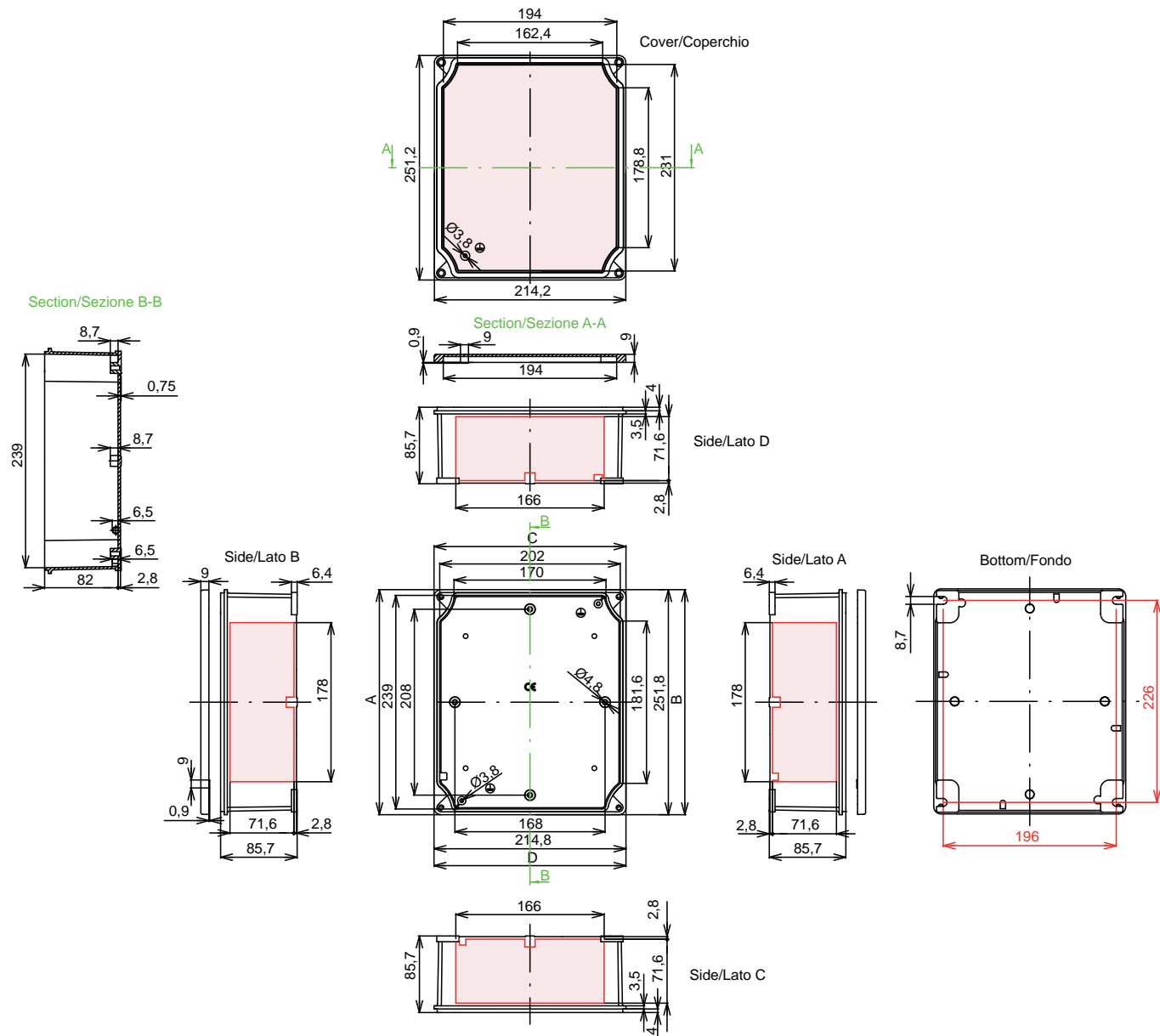


Model <i>Modello</i>	25.22.09	Outside dimensions <i>Dimensioni esterne</i>	252 x 215 x 91 mm	Type/Color <i>Tipo/Colore</i>	Part No. <i>Codice</i>
 <p>CE RoHS</p> <ul style="list-style-type: none"> - IP66 / IP67 (EN 60569) - NEMA 250 / NEMA 250: Type 4,4x,12,13 for enclosures types STD - HT - Ex ATEX Type 4,12,13 for sandblasted enclosures - <i>per cassette sabbiate</i> - Packing / <i>Imballo</i>: 1/8 - For dedicated DIN rails and accessories see page: 03.85 - 03.88 <i>Per guide DIN dedicate ed accessori vedere pag:</i> 	STD - Grey/ <i>Grigio</i> RAL 9006	8000.6265.0			
	STD - Black/ <i>Nero</i> RAL 9005	8000.6265.1			
	STD - Grey/ <i>Grigio</i> RAL 7035	8000.6265.2			
	Sandblasted/Aluminium <i>Sabbiata/Alluminio</i>	8000.6285.0			
	Ex-ATEX Grey/ <i>Grigio</i> RAL 7037	8000.6295.0			
	HT - Black/ <i>Nero</i> RAL 9005 For high temperature <i>Per alte temperature</i>	8000.6265.H			
Metal plate - <i>Piastra di fondo</i>			Material <i>Materiale</i>	Part No. <i>Codice</i>	
			Zinc-plated steel <i>Acciaio zincato</i>	8000.6275.0	
<ul style="list-style-type: none"> - Packing / <i>Imballo</i>: 1/5 					

Model <i>Modello</i>	25.22.09	Outside dimensions <i>Dimensioni esterne</i>	252 x 215 x 91 mm	Size <i>Grandezza</i>	S5	
--------------------------------	-----------------	--	--------------------------	---------------------------------	-----------	---



The pink color identifies the allowed zones for drilling and threading operations.
 Upon request, we supply drilled enclosures with or without cable glands and fittings according customer's requirements.
Il colore rosa indica le zone libere per operazioni di foratura e filettatura.
Possiamo fornire cassette forate con o senza pressacavi e raccordi secondo il disegno del cliente

		MAX M Thread <i>Massima filettatura M</i>							
	M	12	16	20	25	32	40	50	63
Side Lato	A/B	26	12	8	5	3	2	2	1
Side Lato	C/D	26	12	8	5	3	2	2	1