
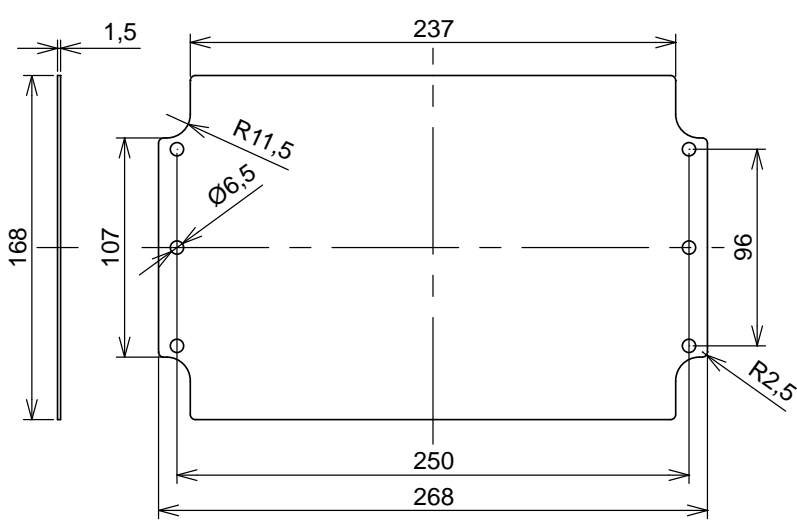
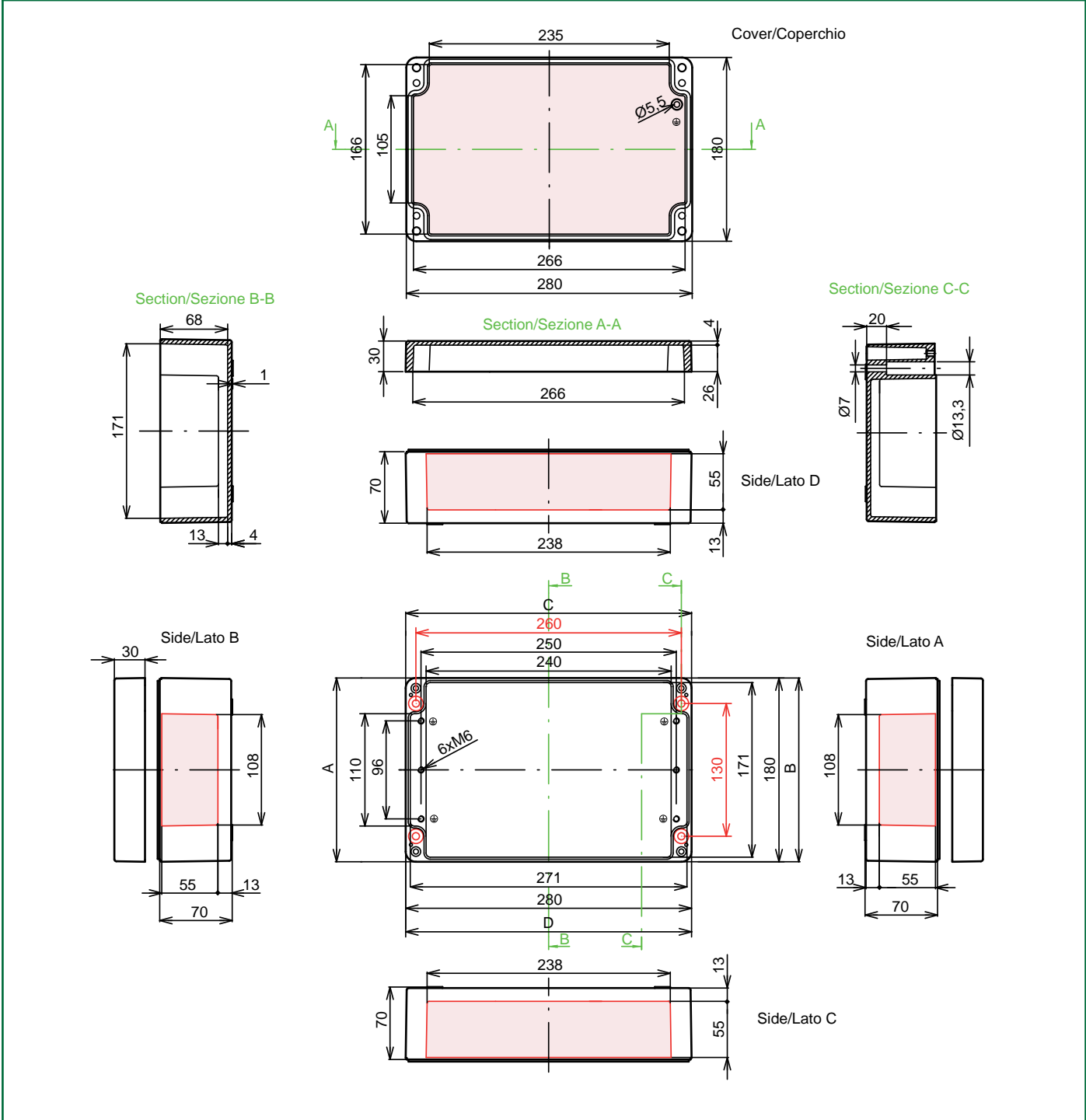


Model <i>Modello</i>	28.18.10	Outside dimensions <i>Dimensioni esterne</i>	280 x 180 x 101 mm	Type/Color <i>Tipo/Colore</i>	Part No. <i>Codice</i>
 <p><b>CE</b> <b>RoHS</b></p> <ul style="list-style-type: none"> <li>- IP66 / IP69 (EN 60569)</li> <li>- NEMA 250 / <b>NEMA 250</b>: Type 4,4x,12,13 for enclosures types STD - HT Type 4,12,13 for sandblasted enclosures, <i>per cassette sabbiate</i></li> <li>- Packing / <i>Imballo</i>: 1</li> <li>- For dedicated DIN rails and accessories see page: 03.85 - 03.88 <i>Per guide DIN dedicate ed accessori vedere pag:</i></li> </ul>	STD - Grey/ <i>Grigio</i> RAL 7001	8100.8033.0			
	STD - Light grey/ <i>Grigio</i> RAL 7035	8100.8133.0			
	Sandblasted/Aluminium <i>Sabbiata/Alluminio</i>	8100.8233.0			
	Not painted <i>Non verniciata</i>	8100.8233.5			
	STD - Black/ <i>Nero</i> RAL 9005	8100.8333.1			
	HT - Black/ <i>Nero</i> RAL 9005 For high temperature <i>Per alte temperature</i>	8100.8333.H			
	Ex ATEX - Grey/ <i>Grigio</i> RAL 7001	8100.8033.7			
<b>Metal plate - <i>Piastra di fondo</i></b>		<b>Material <i>Materiale</i></b>	<b>Part No. <i>Codice</i></b>		
		Zinc-plated steel <i>Acciaio zincato</i>	8100.8433.0		

<b>Model</b> <i>Modello</i>	<b>28.18.10</b>	<b>Outside dimensions</b> <i>Dimensioni esterne</i>	<b>280 x 180 x 101 mm</b>	
--------------------------------	-----------------	--	---------------------------	--



**Panel drillings for installation:**  
*Forature del pannello per l'installazione:*

The pink color identifies the allowed zones for drilling and threading operations.  
 Upon request, we supply drilled enclosures with or without cable glands and fittings according customer's requirements.  
*Il colore rosa indica le zone libere per operazioni di foratura e filettatura.*  
*Possiamo fornire cassette forate con o senza pressacavi e raccordi secondo il disegno del cliente*

ATEX - MAX M/Pg Thread - <i>Massima filettatura M/Pg</i>										
M	12	16	20	25	32	40	50	63		
Side Lato A/B	22	10	8	4	2	2				
Side Lato C/D	52	26	18	11	5	4	3			
<b>Pg</b>	<b>7</b>	<b>9</b>	<b>11</b>	<b>13.5</b>	<b>16</b>	<b>21</b>	<b>29</b>	<b>36</b>	<b>42</b>	<b>48</b>
Side Lato A/B	22	15	10	8	7	4	2	2		
Side Lato C/D	52	33	23	18	14	10	5	4	3	