
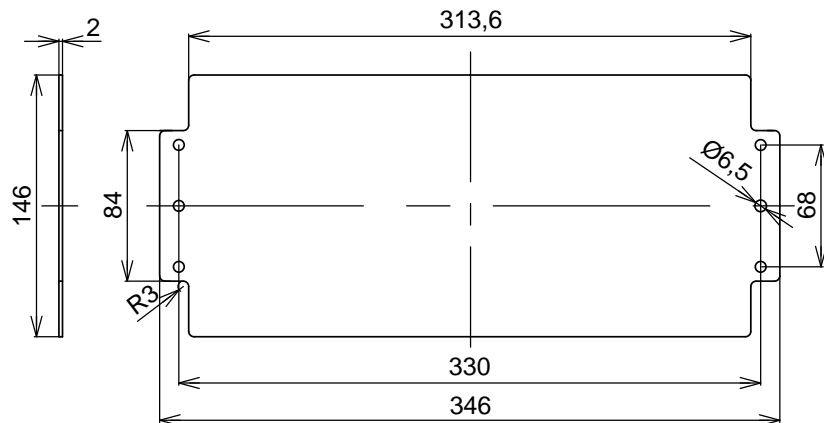
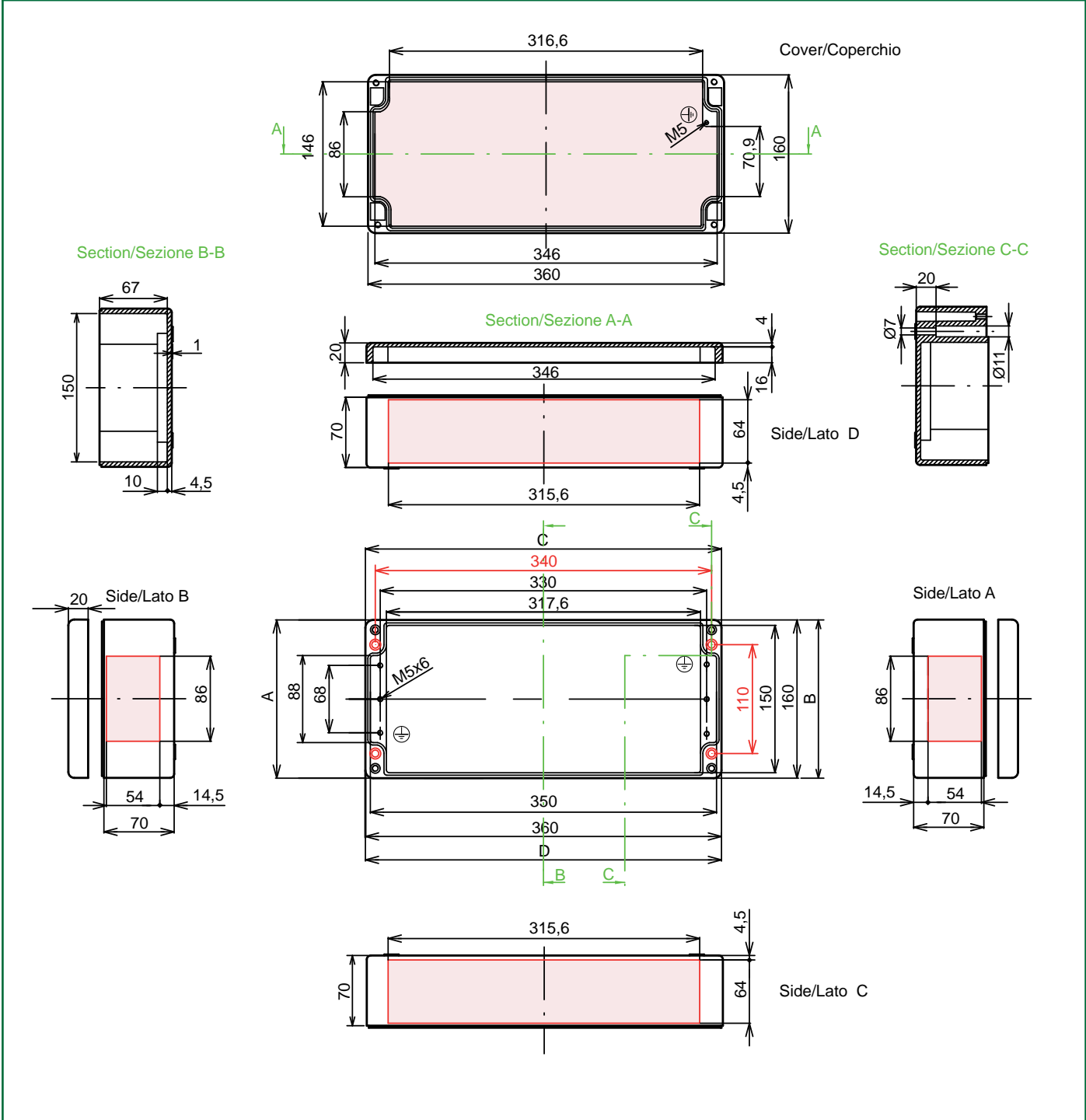


Model <i>Modello</i>	36.16.09	Outside dimensions <i>Dimensioni esterne</i>	360 x 160 x 90 mm	Type/Color <i>Tipo/Colore</i>	Part No. <i>Codice</i>
 <p><b>CE</b> <b>RoHS</b></p> <p>- IP66 / IP69 (EN 60569)</p> <p>- NEMA 250 / <b>NEMA 250</b>: Type 4,4x,12,13 for enclosures types STD - HT                      Type 4,12,13 for sandblasted enclosures, <i>per cassette sabbiate</i></p> <p>- Packing / <i>Imballo</i>: 1</p> <p>- For dedicated DIN rails and accessories see page: 03.85 - 03.88  <i>Per guide DIN dedicate ed accessori vedere pag:</i></p>	STD - Grey/ <i>Grigio</i> RAL 7001	8100.8025.0			
	STD - Light grey/ <i>Grigio</i> RAL 7035	8100.8125.0			
	Sandblasted/Aluminium <i>Sabbiata/Alluminio</i>	8100.8225.0			
	Not painted <i>Non verniciata</i>	8100.8225.5			
	STD - Black/ <i>Nero</i> RAL 9005	8100.8325.1			
	HT - Black/ <i>Nero</i> RAL 9005 For high temperature <i>Per alte temperature</i>	8100.8325.H			
	Ex ATEX - Grey/ <i>Grigio</i> RAL 7001	8100.8025.7			
<b>Metal plate - <i>Piastra di fondo</i></b>		<b>Finishing <i>Finitura</i></b>	<b>Part No. <i>Codice</i></b>		
		Zinc-plated steel <i>Acciaio zincato</i>	8100.8425.0		

Model Modello	36.16.09	Outside dimensions Dimensioni esterne	360 x 160 x 90 mm	
------------------	----------	--	-------------------	--



**Panel drillings for installation:**  
**Forature del pannello per l'installazione:**

The pink color identifies the allowed zones for drilling and threading operations.  
 Upon request, we supply drilled enclosures with or without cable glands and fittings according customer's requirements.  
 Il colore rosa indica le zone libere per operazioni di foratura e filettatura.  
 Possiamo fornire cassette forate con o senza pressacavi e raccordi secondo il disegno del cliente

ATEX - MAX M/Pg Thread - <i>Massima filettatura M/Pg</i>										
M	12	16	20	25	32	40	50	63		
Side Lato A/B	16	8	6	3	2	1				
Side Lato C/D	72	36	24	15	7	5	4			
<b>Pg</b>	<b>7</b>	<b>9</b>	<b>11</b>	<b>13.5</b>	<b>16</b>	<b>21</b>	<b>29</b>	<b>36</b>	<b>42</b>	<b>48</b>
Side Lato A/B	16	11	6	6	5	3	2	1		
Side Lato C/D	72	42	33	24	20	14	7	5	4	