

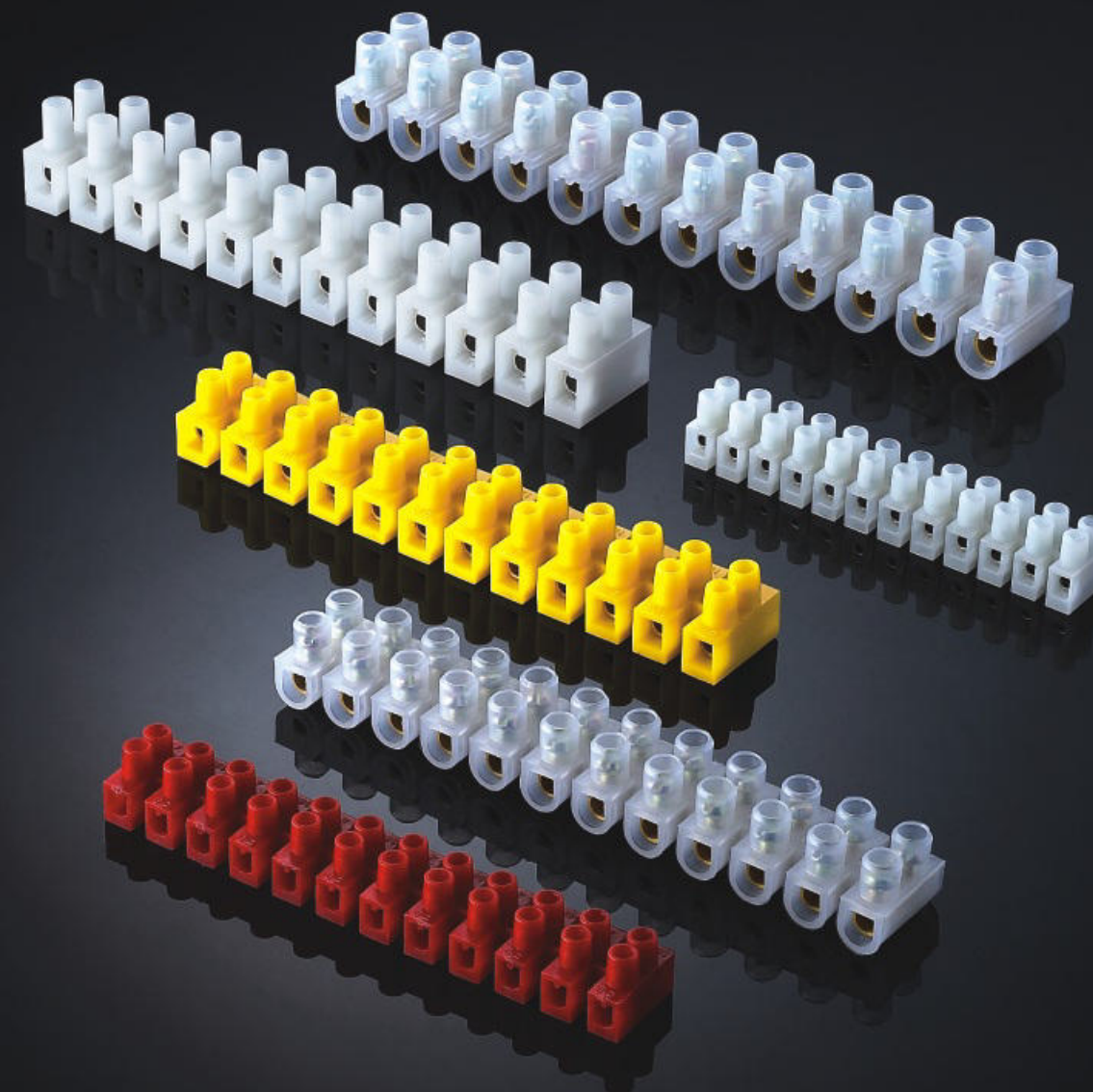


## Terminals & Connect ors Wiring Accessories Product Catalog

產品目錄  
CONTENTS >



- 01-04 接線端子  
> Terminal Blocks
- 05-35 接線端頭與接頭  
> Terminal & Connector
- 37 窺口銅接線端頭 (DTGA型)  
> Copper Connecting Terminal(type Dtga)
- 38 DT(G)/JG系列銅接線端子  
> Copper Connecting Terminals
- 39 SC(JGY)/SC(JGB)引進窺口三角型, 喇叭口型接線端子  
> Imported Spy Triangle Bell Mouth Copper Connecting Terminals
- 40 OT銅開口接線鼻/GTL連接管(堵油型)  
> Copper Open Connecting Nose/ gt-1 / Connecting Tube (oil Seal)
- 41 DTL系列銅鋁接線端子  
> Copper Aluminium Connecting Terminals
- 42-48 絕緣穿刺線夾  
> Insulation Piercing Connectors
- 49 熱收縮套管  
> Heat-shrinkable Tubings
- 50 卷式結束帶  
> Spiral Wrapping Band
- 50 ECM配線標志  
> ECM Type Wire Markers





BT011 H TYPE PE PP PA

塑件: PE PP PA  
內件: 黃銅  
螺絲: 鐵制表面鍍鋅  
環境溫度: -40°C ~ 110°C  
極數: 1-12 綫  
產品顏色: 透明色、白色與黑色, 特殊顏色歡迎訂做

Plastic Shell : PE PP PA  
Insert: Brass  
Screw: Galvanized Iron  
Working temperature: -40°C to 110°C  
Poles Available: 1-12 poles  
Color: Natural, black, other color can be supplied as request.



| BEISIT NO. | Wire Range              | Rated Current | Rated Voltage | L     | W    | H    | h    | E    | e    | F   | φ   | Screw Size | Plastic material |
|------------|-------------------------|---------------|---------------|-------|------|------|------|------|------|-----|-----|------------|------------------|
| mm         |                         |               |               |       |      |      |      |      |      |     |     |            |                  |
| BT011-001  | 2.5-4.0mm <sup>2</sup>  | 3A            | 380V          | 92.3  | 16.8 | 12.3 | 7.7  | 7.8  | 5.7  | 2.4 | 3.0 | M2.5       | PE               |
| BT011-002  | 4.0-6.0mm <sup>2</sup>  | 6A            | 380V          | 115.5 | 18.8 | 15.4 | 8.7  | 9.6  | 6.3  | 2.7 | 3.3 | M3.0       |                  |
| BT011-003  | 6.0-10.0mm <sup>2</sup> | 10A           | 380V          | 129.3 | 20.7 | 16.5 | 9.8  | 11.0 | 7.6  | 2.8 | 4.2 | M3.0       |                  |
| BT011-004  | 10-12mm <sup>2</sup>    | 15A           | 380V          | 137.8 | 22.5 | 18.6 | 10.3 | 11.7 | 8.6  | 3.1 | 4.5 | M3.5       |                  |
| BT011-005  | 12-14mm <sup>2</sup>    | 20A           | 380V          | 138.0 | 22.5 | 19.0 | 10.7 | 12.0 | 8.6  | 3.2 | 4.7 | M4.0       |                  |
| BT011-006  | 16mm <sup>2</sup>       | 30A           | 380V          | 164.0 | 25.5 | 20.0 | 11.7 | 13.7 | 9.3  | 3.4 | 5.5 | M4.0       |                  |
| BT011-007  | 25mm <sup>2</sup>       | 60A           | 380V          | 186.0 | 29.2 | 25.3 | 14.8 | 15.7 | 10.8 | 3.3 | 6.6 | M4.0       |                  |
| BT011-008  | 35mm <sup>2</sup>       | 80A           | 400V          | 226.8 | 36.1 | 29.0 | 18.0 | 19.2 | 13.2 | 4.0 | 8.0 | M5.0       |                  |
| BT011-009  | 40mm <sup>2</sup>       | 100A          | 450V          | 254.6 | 45.0 | 34.7 | 22.3 | 20.5 | 19.2 | 3.7 | 9.0 | M6.0       |                  |



| BEISIT NO. | Wire Range              | Rated Current | Rated Voltage | L     | W    | H    | h    | E    | e    | F   | φ   | Screw Size | Plastic material |
|------------|-------------------------|---------------|---------------|-------|------|------|------|------|------|-----|-----|------------|------------------|
| mm         |                         |               |               |       |      |      |      |      |      |     |     |            |                  |
| BT011-010  | 2.5-4.0mm <sup>2</sup>  | 3A            | 380V          | 93.5  | 17.0 | 12.8 | 7.9  | 8.0  | 5.9  | 2.4 | 3.0 | M2.5       | PP               |
| BT011-011  | 4.0-6.0mm <sup>2</sup>  | 6A            | 380V          | 116.6 | 19.0 | 15.5 | 9.0  | 9.9  | 6.2  | 2.7 | 3.3 | M3.0       |                  |
| BT011-012  | 6.0-10.0mm <sup>2</sup> | 10A           | 380V          | 131.5 | 21.0 | 16.3 | 9.6  | 11.5 | 7.6  | 2.8 | 4.2 | M3.0       |                  |
| BT011-013  | 10-12mm <sup>2</sup>    | 15A           | 380V          | 139.8 | 22.8 | 18.9 | 10.7 | 12.0 | 8.6  | 3.1 | 4.5 | M3.5       |                  |
| BT011-014  | 12-14mm <sup>2</sup>    | 20A           | 380V          | 140.2 | 22.9 | 20.3 | 10.8 | 12.2 | 9.4  | 3.2 | 4.6 | M4.0       |                  |
| BT011-015  | 16mm <sup>2</sup>       | 30A           | 380V          | 167.5 | 25.9 | 20.2 | 11.8 | 14.2 | 9.4  | 3.4 | 5.5 | M4.0       |                  |
| BT011-016  | 25mm <sup>2</sup>       | 60A           | 380V          | 189.0 | 29.7 | 25.8 | 15.3 | 15.7 | 11.0 | 3.3 | 6.6 | M4.0       |                  |
| BT011-017  | 35mm <sup>2</sup>       | 80A           | 400V          | 231.0 | 36.7 | 29.6 | 18.2 | 19.5 | 13.6 | 4.0 | 8.0 | M5.0       |                  |
| BT011-018  | 40mm <sup>2</sup>       | 100A          | 450V          | 256.0 | 45.5 | 35.6 | 22.6 | 22.0 | 20.5 | 3.7 | 9.0 | M6.0       |                  |



| BEISIT NO. | Wire Range              | Rated Current | Rated Voltage | L     | W    | H    | h    | E    | e    | F   | φ   | Screw Size | Plastic material |
|------------|-------------------------|---------------|---------------|-------|------|------|------|------|------|-----|-----|------------|------------------|
| mm         |                         |               |               |       |      |      |      |      |      |     |     |            |                  |
| BT011-019  | 2.5-4.0mm <sup>2</sup>  | 3A            | 380V          | 95.3  | 17.5 | 13.0 | 8.0  | 8.0  | 6.0  | 2.5 | 3.0 | M2.5       | PA               |
| BT011-020  | 4.0-6.0mm <sup>2</sup>  | 6A            | 380V          | 117.4 | 19.0 | 15.5 | 9.0  | 10.0 | 6.3  | 2.6 | 3.3 | M3.0       |                  |
| BT011-021  | 6.0-10.0mm <sup>2</sup> | 10A           | 380V          | 132.6 | 21.2 | 16.6 | 9.6  | 11.0 | 7.0  | 2.9 | 4.2 | M3.0       |                  |
| BT011-022  | 10-12mm <sup>2</sup>    | 15A           | 380V          | 142.0 | 23.2 | 19.0 | 10.6 | 11.8 | 8.5  | 3.2 | 4.5 | M3.5       |                  |
| BT011-023  | 12-14mm <sup>2</sup>    | 20A           | 380V          | 141.5 | 23.4 | 20.4 | 11.9 | 12.2 | 9.4  | 3.2 | 4.6 | M4.0       |                  |
| BT011-024  | 16mm <sup>2</sup>       | 30A           | 380V          | 169.0 | 26.1 | 20.5 | 12.0 | 14.2 | 9.3  | 3.4 | 5.5 | M4.0       |                  |
| BT011-025  | 25mm <sup>2</sup>       | 60A           | 380V          | 192.0 | 30.0 | 26.0 | 15.5 | 16.2 | 11.0 | 3.4 | 6.6 | M4.0       |                  |
| BT011-026  | 35mm <sup>2</sup>       | 80A           | 400V          | 233.5 | 37.0 | 29.8 | 18.5 | 20.0 | 13.8 | 4.1 | 8.0 | M5.0       |                  |
| BT011-027  | 40mm <sup>2</sup>       | 100A          | 450V          | 262.0 | 46.1 | 35.7 | 22.8 | 22.5 | 20.5 | 3.8 | 9.0 | M6.0       |                  |



BT011 U(W) TYPE PE PP PA

塑件: PE PP PA  
內件: 黃銅  
螺絲: 鐵制表面鍍鋅  
環境溫度: -40°C ~ 110°C  
極數: 1-12 綫  
產品顏色: 透明色、白色與黑色, 特殊顏色歡迎訂做

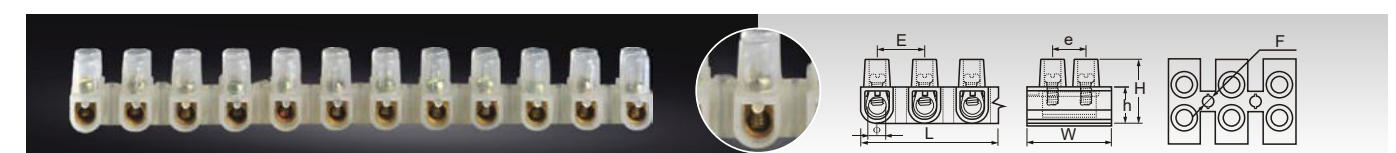
Plastic Shell : PE PP PA  
Insert: Brass  
Screw: Galvanized Iron  
Working temperature: -40°C to 110°C  
Poles Available: 1-12 poles  
Color: Natural, black, other color can be supplied as request.



| BEISIT NO. | Wire Range              | Rated Current | Rated Voltage | L     | W    | H    | h    | E    | e    | F   | φ   | Screw Size | Plastic material |
|------------|-------------------------|---------------|---------------|-------|------|------|------|------|------|-----|-----|------------|------------------|
| mm         |                         |               |               |       |      |      |      |      |      |     |     |            |                  |
| BT011-028  | 2.5-4.0mm <sup>2</sup>  | 3A            | 380V          | 91.4  | 15.6 | 10.8 | 6.4  | 7.5  | 5.8  | 2.5 | 3.0 | M2.5       | PE               |
| BT011-029  | 4.0-6.0mm <sup>2</sup>  | 6A            | 380V          | 112.5 | 15.5 | 12.8 | 7.5  | 9.5  | 6.2  | 2.9 | 3.3 | M3.0       |                  |
| BT011-030  | 6.0-10.0mm <sup>2</sup> | 10A           | 380V          | 128   | 20.6 | 15.0 | 8.6  | 10.8 | 7.3  | 2.9 | 4.2 | M3.0       |                  |
| BT011-031  | 10-12mm <sup>2</sup>    | 15A           | 380V          | 137.3 | 22.5 | 16.6 | 9.0  | 11.5 | 8.1  | 3.1 | 4.5 | M3.5       |                  |
| BT011-032  | 12-14mm <sup>2</sup>    | 20A           | 380V          | 137.5 | 22.7 | 17.7 | 9.9  | 12.0 | 8.4  | 3.5 | 4.7 | M4.0       |                  |
| BT011-033  | 16mm <sup>2</sup>       | 30A           | 380V          | 164.5 | 25.3 | 19.0 | 10.7 | 19.0 | 9.3  | 3.5 | 5.6 | M4.0       |                  |
| BT011-034  | 25mm <sup>2</sup>       | 60A           | 380V          | 185.5 | 29.2 | 24.0 | 13.3 | 15.8 | 13.0 | 3.5 | 6.6 | M4.0       |                  |
| BT011-035  | 35mm <sup>2</sup>       | 80A           | 400V          | 204.5 | 32.6 | 27.2 | 14.0 | 17.3 | 14.8 | 4.5 | 7.0 | M5.0       |                  |
| BT011-036  | 40mm <sup>2</sup>       | 100A          | 450V          | 250.0 | 45.6 | 30.6 | 18.0 | 21.5 | 21.6 | 4.7 | 9.0 | M6.0       |                  |



| BEISIT NO. | Wire Range              | Rated Current | Rated Voltage | L     | W    | H    | h    | E    | e    | F   | φ   | Screw Size | Plastic material |
|------------|-------------------------|---------------|---------------|-------|------|------|------|------|------|-----|-----|------------|------------------|
| mm         |                         |               |               |       |      |      |      |      |      |     |     |            |                  |
| BT011-037  | 2.5-4.0mm <sup>2</sup>  | 3A            | 380V          | 92.5  | 15.6 | 10.7 | 6.4  | 7.5  | 5.8  | 2.5 | 3.0 | M2.5       | PP               |
| BT011-038  | 4.0-6.0mm <sup>2</sup>  | 6A            | 380V          | 114.3 | 15.7 | 12.8 | 7.4  | 9.6  | 6.1  | 2.9 | 3.2 | M3.0       |                  |
| BT011-039  | 6.0-10.0mm <sup>2</sup> | 10A           | 380V          | 131.0 | 20.9 | 15.0 | 8.5  | 11.0 | 7.3  | 3.2 | 4.2 | M3.0       |                  |
| BT011-040  | 10-12mm <sup>2</sup>    | 15A           | 380V          | 138.8 | 22.8 | 16.8 | 9.0  | 11.8 | 8.2  | 3.2 | 4.5 | M3.5       |                  |
| BT011-041  | 12-14mm <sup>2</sup>    | 20A           | 380V          | 141.2 | 22.4 | 18.0 | 10.2 | 11.9 | 10.4 | 3.2 | 4.6 | M4.0       |                  |
| BT011-042  | 16mm <sup>2</sup>       | 30A           | 380V          | 167.0 | 25.7 | 18.8 | 10.8 | 13.9 | 9.6  | 3.6 | 5.5 | M4.0       |                  |
| BT011-043  | 25mm <sup>2</sup>       | 60A           | 380V          | 190.0 | 29.5 | 24.1 | 13.5 | 16.0 | 12.6 | 3.7 | 6.6 | M4.0       |                  |
| BT011-044  | 35mm <sup>2</sup>       | 80A           | 400V          | 208.0 | 32.9 | 27.3 | 14.2 | 17.5 | 14.8 | 4.6 | 7.0 | M5.0       |                  |
| BT011-045  | 40mm <sup>2</sup>       | 100A          | 450V          | 254.0 | 46.0 | 30.8 | 18.2 | 21.5 | 21.5 | 4.7 | 9.0 | M6.0       |                  |



| BEISIT NO. | Wire Range              | Rated Current | Rated Voltage | L     | W    | H    | h    | E    | e    | F   | φ   | Screw Size | Plastic material |
|------------|-------------------------|---------------|---------------|-------|------|------|------|------|------|-----|-----|------------|------------------|
| mm         |                         |               |               |       |      |      |      |      |      |     |     |            |                  |
| BT011-038  | 2.5-4.0mm <sup>2</sup>  | 3A            | 380V          | 93.2  | 15.8 | 11.0 | 6.4  | 7.5  | 6.0  | 2.5 | 3.0 | M2.5       | PA               |
| BT011-039  | 4.0-6.0mm <sup>2</sup>  | 6A            | 380V          | 114.8 | 15.8 | 13.0 | 7.5  | 9.7  | 6.4  | 2.9 | 3.2 | M3.0       |                  |
| BT011-040  | 6.0-10.0mm <sup>2</sup> | 10A           | 380V          | 131.8 | 21.1 | 15.3 | 8.6  | 11.1 | 7.4  | 2.9 | 4.2 | M3.0       |                  |
| BT011-041  | 10-12mm <sup>2</sup>    | 15A           | 380V          | 141.5 | 23.0 | 17.0 | 9.0  | 11.8 | 8.3  | 3.1 | 4.5 | M3.5       |                  |
| BT011-042  | 12-14mm <sup>2</sup>    | 20A           | 380V          | 141.5 | 22.4 | 18.0 | 10.2 | 11.9 | 10.4 | 3.2 | 4.6 | M4.0       |                  |
| BT011-043  | 16mm <sup>2</sup>       | 30A           | 380V          | 169.0 | 26.0 | 19.2 | 10.9 | 14.5 | 9.2  | 3.5 | 5.5 | M4.0       |                  |
| BT011-044  | 25mm <sup>2</sup>       | 60A           | 380V          | 191.0 | 30.0 | 24.4 | 13.4 | 16.0 | 12.8 | 3.5 | 6.6 | M4.0       |                  |
| BT011-045  | 35mm <sup>2</sup>       | 80A           | 400V          | 211.0 | 33.1 | 28.0 | 14.0 | 17.8 | 15.0 | 4.5 | 7.0 | M5.0       |                  |
| BT011-046  | 40mm <sup>2</sup>       | 100A          | 450V          | 260.0 | 47.0 | 31.5 | 18.7 | 22.0 | 22.0 | 4.7 | 9.0 | M6.0       |                  |



BT011 SMALL V(F) TYPE

塑件: PE  
內件: 黃銅  
螺絲: 鐵制表面鍍鋅  
環境溫度: -40°C ~ 110°C  
極數: 1-12 綫  
產品顏色: 透明色與黑色, 特殊顏色歡迎訂做

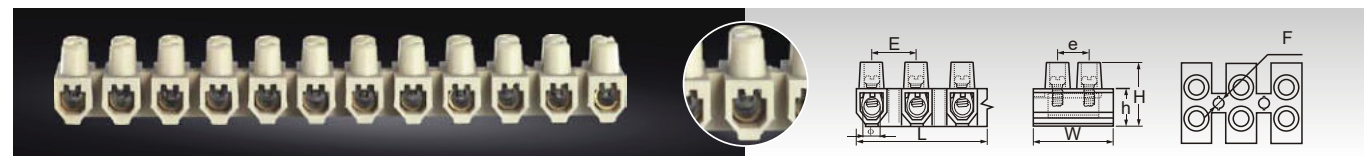
Plastic Shell : PE  
Insert: Brass  
Screw: Galvanized Iron  
Working temperature: -40°C to 65°C  
Poles Available: 1-12 poles  
Color: Natural, black, other color can be supplied as request.



| BEIST NO. | Wire Range              | Rated Current | Rated Voltage | L     | W    | H    | h    | E    | e    | F   | φ   | Screw Size | Plastic material |
|-----------|-------------------------|---------------|---------------|-------|------|------|------|------|------|-----|-----|------------|------------------|
| mm        |                         |               |               |       |      |      |      |      |      |     |     |            |                  |
| BT011-047 | 2.5-4.0mm <sup>2</sup>  | 3A            | 380V          | 91.4  | 15.6 | 10.8 | 6.4  | 7.5  | 5.8  | 2.5 | 3.0 | M2.5       | PE               |
| BT011-048 | 4.0-6.0mm <sup>2</sup>  | 6A            | 380V          | 112.5 | 15.5 | 12.8 | 7.5  | 9.5  | 6.2  | 2.9 | 3.3 | M3.0       |                  |
| BT011-049 | 6.0-10.0mm <sup>2</sup> | 10A           | 380V          | 128   | 20.6 | 15.0 | 8.6  | 10.8 | 7.3  | 2.9 | 4.2 | M3.0       |                  |
| BT011-050 | 10-12mm <sup>2</sup>    | 15A           | 380V          | 137.3 | 22.5 | 16.6 | 9.0  | 11.5 | 8.1  | 3.1 | 4.5 | M3.5       |                  |
| BT011-051 | 12-14mm <sup>2</sup>    | 20A           | 380V          | 137.5 | 22.7 | 17.7 | 9.9  | 12.0 | 8.4  | 3.5 | 4.7 | M4.0       |                  |
| BT011-052 | 16mm <sup>2</sup>       | 30A           | 380V          | 164.5 | 25.3 | 19.0 | 10.7 | 19.0 | 9.3  | 3.5 | 5.6 | M4.0       |                  |
| BT011-053 | 25mm <sup>2</sup>       | 60A           | 380V          | 185.5 | 29.2 | 24.0 | 13.3 | 15.8 | 13.0 | 3.5 | 6.6 | M4.0       |                  |
| BT011-054 | 35mm <sup>2</sup>       | 80A           | 400V          | 204.5 | 32.6 | 27.2 | 14.0 | 17.3 | 14.8 | 4.5 | 7.0 | M5.0       |                  |
| BT011-055 | 40mm <sup>2</sup>       | 100A          | 450V          | 250.0 | 45.6 | 30.6 | 18.0 | 21.5 | 21.6 | 4.7 | 9.0 | M6.0       |                  |



| BEIST NO. | Wire Range              | Rated Current | Rated Voltage | L     | W    | H    | h    | E    | e    | F   | φ   | Screw Size | Plastic material |
|-----------|-------------------------|---------------|---------------|-------|------|------|------|------|------|-----|-----|------------|------------------|
| mm        |                         |               |               |       |      |      |      |      |      |     |     |            |                  |
| BT011-056 | 2.5-4.0mm <sup>2</sup>  | 3A            | 380V          | 92.5  | 15.6 | 10.7 | 6.4  | 7.5  | 5.8  | 2.5 | 3.0 | M2.5       | PP               |
| BT011-057 | 4.0-6.0mm <sup>2</sup>  | 6A            | 380V          | 114.3 | 15.7 | 12.8 | 7.4  | 9.6  | 6.1  | 2.9 | 3.2 | M3.0       |                  |
| BT011-058 | 6.0-10.0mm <sup>2</sup> | 10A           | 380V          | 131.0 | 20.9 | 15.0 | 8.5  | 11.0 | 7.3  | 3.2 | 4.2 | M3.0       |                  |
| BT011-059 | 10-12mm <sup>2</sup>    | 15A           | 380V          | 138.8 | 22.8 | 16.8 | 9.0  | 11.8 | 8.2  | 3.2 | 4.5 | M3.5       |                  |
| BT011-060 | 12-14mm <sup>2</sup>    | 20A           | 380V          | 141.2 | 22.4 | 18.0 | 10.2 | 11.9 | 10.4 | 3.2 | 4.6 | M4.0       |                  |
| BT011-061 | 16mm <sup>2</sup>       | 30A           | 380V          | 167.0 | 25.7 | 18.8 | 10.8 | 13.9 | 9.6  | 3.6 | 5.5 | M4.0       |                  |
| BT011-062 | 25mm <sup>2</sup>       | 60A           | 380V          | 190.0 | 29.5 | 24.1 | 13.5 | 16.0 | 12.6 | 3.7 | 6.6 | M4.0       |                  |
| BT011-063 | 35mm <sup>2</sup>       | 80A           | 400V          | 208.0 | 32.9 | 27.3 | 14.2 | 17.5 | 14.8 | 4.6 | 7.0 | M5.0       |                  |
| BT011-064 | 40mm <sup>2</sup>       | 100A          | 450V          | 254.0 | 46.0 | 30.8 | 18.2 | 21.5 | 21.5 | 4.7 | 9.0 | M6.0       |                  |



| BEIST NO. | Wire Range         | Rated Current | Rated Voltage | L     | W    | H    | h    | E    | e    | F   | φ   | Screw Size | Plastic material |
|-----------|--------------------|---------------|---------------|-------|------|------|------|------|------|-----|-----|------------|------------------|
| mm        |                    |               |               |       |      |      |      |      |      |     |     |            |                  |
| BT011-065 | 2.5mm <sup>2</sup> | 3A            | 250V          | 93.2  | 17.0 | 13.6 | 7.7  | 8.0  | 5.8  | 2.5 | 3.0 | M2.5       | PA               |
| BT011-066 | 4.0mm <sup>2</sup> | 6A            | 250V          | 114.5 | 18.8 | 15.3 | 9.0  | 10.0 | 7.6  | 2.9 | 3.3 | M3.0       |                  |
| BT011-067 | 6.0mm <sup>2</sup> | 10A           | 250V          | 128.8 | 20.9 | 16.0 | 9.6  | 11.0 | 8.5  | 2.9 | 4.2 | M3.0       |                  |
| BT011-068 | 10mm <sup>2</sup>  | 15A           | 250V          | 136.8 | 22.6 | 18.8 | 10.5 | 12.0 | 10.0 | 3.1 | 4.5 | M4.0       |                  |
| BT011-069 | 16mm <sup>2</sup>  | 30A           | 250V          | 164.5 | 25.5 | 20.0 | 12.0 | 15.0 | 10.5 | 3.5 | 5.6 | M4.0       |                  |
| BT011-070 | 25mm <sup>2</sup>  | 60A           | 250V          | 193.0 | 30.0 | 26.0 | 15.5 | 16.3 | 12.5 | 3.5 | 6.6 | M4.0       |                  |
| BT011-071 | 35mm <sup>2</sup>  | 80A           | 250V          | 202.0 | 35.7 | 30.0 | 19.0 | 17.3 | 13.3 | 3.5 | 7.5 | M5.0       |                  |



BT-1包裝尺寸  
PACKING DETAILSBT

U TYPE PACKING

| TYPE      | PCS/BAG | PCS/CTN | CM               | KG    |
|-----------|---------|---------|------------------|-------|
| 3A-4mm    | 10      | 1500    | 41 × 29 × 27     | 26/25 |
| 5A-6mm    | 10      | 1200    | 48 × 24 × 29     | 26/25 |
| 6A-6mm    | 10      | 100     | 48 × 22 × 30     | 24/23 |
| 10A-10mm  | 10      | 800     | 42 × 27 × 30     | 26/25 |
| 15A-12mm  | 10      | 500     | 39 × 29 × 27     | 25/24 |
| 20A-14mm  | 10      | 500     | 37 × 28 × 27     | 26/25 |
| 30A-20mm  | 10      | 300     | 39.5 × 35.5 × 22 | 22/21 |
| 60A-25mm  | 10      | 200     | 39 × 31 × 28     | 24/23 |
| 80A-30mm  | 5       | 120     | 39 × 21.5 × 38   | 26/24 |
| 100A-40mm | 5       | 50      | 54 × 25 × 20     | 18/17 |

H TYPE PACKING

| TYPE     | PCS/BAG | PCS/CTN | CM           | KG    |
|----------|---------|---------|--------------|-------|
| 3A-4mm   | 10      | 1500    | 41 × 29 × 27 | 26/25 |
| 5A-6mm   | 10      | 1200    | 48 × 28 × 34 | 25/24 |
| 6A-6mm   | 10      | 100     | 47 × 24 × 30 | 25/24 |
| 10A-10mm | 10      | 800     | 39 × 25 × 36 | 23/22 |
| 15A-12mm | 10      | 500     | 36 × 28 × 37 | 27/26 |
| 20A-14mm | 10      | 500     | 40 × 30 × 33 | 27/26 |
| 30A-20mm | 10      | 300     | 37 × 34 × 23 | 23/22 |
| 60A-25mm | 10      | 200     | 40 × 31 × 26 | 25/24 |
| 80A-30mm | 5       | 120     | 39 × 31 × 26 | 26/24 |



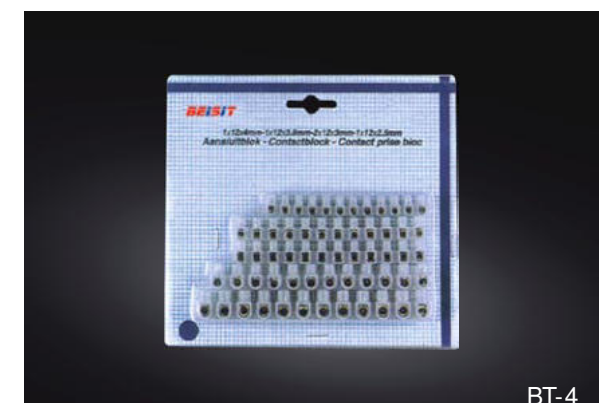
BT-1



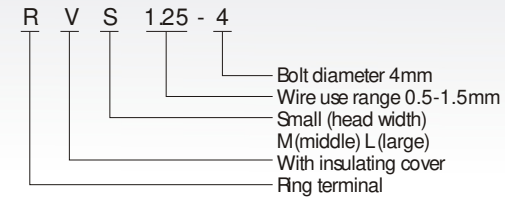
BT-2



BT-3



BT-4



### 說明1 INTRODUCTION 1

| R   | 圓形端頭 Ring terminal                     |
|-----|--|
| S   | 叉形端頭 Fork terminal                     |
| H   | 鉤形端頭 Hook terminal                     |
| PT  | 針形端頭 Pin terminal                      |
| FD  | 母接頭 Female connector                   |
| MD  | 公接頭 Male connector                     |
| FR  | 子彈形母接頭 Bullet female connector         |
| MP  | 子彈形公接頭 Bullet male connector           |
| DB  | 片形端頭 Chip terminal                     |
| LS  | 鎖扣叉形端頭 Snap close furcate terminal     |
| FS  | 凸形叉形端頭 Male chip terminal              |
| LB  | 凹片形端頭 Female chip terminal             |
| BV  | 長形中間接頭 Long full terminal              |
| FLD | 旗形母接頭 Flag female terminal             |
| FDF | 母全絕緣端頭 Female full-insulating terminal |
| PVT | 短形中間接頭 Short middle terminal           |
| PBD | 肩背形公、母接頭 Shalle shaped                 |

### 說明2 INTRODUCTION 2

|            |          |
|------------|----------|
| 110:0.110" | (2.8mm)  |
| 187:0.187" | (4.75mm) |
| 205:0.205" | (5.2mm)  |
| 250:0.205" | (6.35mm) |
| 312:0.312" | (8.0mm)  |
| 375:0.375" | (9.4mm)  |
| 156:0.156" | (4mm)    |
| 195:0.195" | (5mm)    |

### 說明3 INTRODUCTION 3

| Wire | Wire size(mm <sup>2</sup> ) | America wire(A.W.G) |
|------|-----------------------------|---------------------|
| 1.25 | 0.5-1.5                     | 22-16               |
| 2    | 1.5-2.5                     | 16-14               |
| 3.5  | 2.5-4                       | 14-12               |
| 5.5  | 4-6                         | 12-10               |
| 8    | 6-10                        | 8                   |
| 14   | 10-16                       | 6                   |
| 22   | 16-25                       | 4                   |
| 38   | 25-35                       | 2                   |
| 60   | 50-70                       | 1/0                 |
| 70   | 70-95                       | 2/0                 |
| 80   | 95-120                      | 3/0                 |
| 100  | 120-150                     | 4/0                 |
| 150  | 150-185                     | 250/300MCM          |
| 180  | 185-240                     | 300/350MCM          |
| 200  | 240-300                     | 400/500MCM          |
| 325  | 300-400                     | 500/600MCM          |

### 說明4 INTRODUCTION 4

| Bolt pass diameter (Mm) | Amedca wire(mm) |
|-------------------------|-----------------|
| 3.2                     | # 4             |
| 3.7                     | # 6             |
| 4.3                     | # 8             |
| 5.3                     | # 10            |
| 6.4                     | 1/4             |
| 8.4                     | 5/16            |
| 10.5                    | 3/8             |
| 11.0                    | 7/6             |
| 13.0                    | 1/2             |
| 15.0                    | 9/16            |
| 17.0                    | 5/8             |
| 18.0                    | 1/16            |
| 21.0                    | 3/4             |
| 23.0                    | 7/8             |
| 25.0                    | 15/16           |
| 28.0                    | 1               |



Conductor section: 0.5-1.5mm<sup>2</sup> (A.W.G 22 ~ 16) I<sub>max</sub>= 19A Material: Copper Thickness: 0.7mm

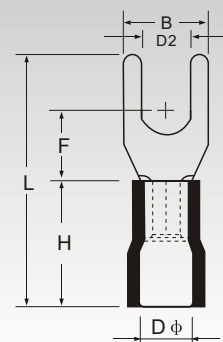
| BEISIT NO. | TYPE          | American Bolt number | D2(mm) | DIMENSION |      |      |      |     | color |
|------------|---------------|----------------------|--------|-----------|------|------|------|-----|-------|
|            |               |                      |        | B         | L    | F    | H    | Dφ  |       |
| BT012-001  | ESV 1.25-3    | # 4                  | 3.2    | 5.7       | 21.2 | 6.5  | 10.0 | 4.3 | red   |
| BT012-002  | ESVS 1.25-3.5 | # 6                  | 3.7    | 5.7       | 21.2 | 6.5  |      |     |       |
| BT012-003  | ESVL 1.25-3.5 | # 6                  | 3.7    | 6.4       | 21.2 | 6.5  |      |     |       |
| BT012-004  | ESVS 1.25-4   | # 8                  | 4.3    | 6.4       | 21.2 | 6.5  |      |     |       |
| BT012-005  | ESVM 1.25-4   | # 8                  | 4.3    | 7.2       | 21.2 | 6.5  |      |     |       |
| BT012-006  | ESVL 1.25-4   | # 8                  | 4.3    | 8.1       | 21.2 | 6.5  |      |     |       |
| BT012-007  | ESVS 1.25-5   | # 10                 | 5.3    | 8.1       | 21.2 | 6.5  |      |     |       |
| BT012-008  | ESVL 1.25-5   | # 10                 | 5.3    | 9.5       | 21.2 | 6.5  |      |     |       |
| BT012-009  | ESVS 1.25-6   | 1/4                  | 6.4    | 9.5       | 21.2 | 6.5  |      |     |       |
| BT012-010  | ESVL 1.25-6   | 1/4                  | 6.4    | 12.0      | 27.2 | 11.0 |      |     |       |

Conductor section: 0.5-1.5mm<sup>2</sup> (A.W.G 16 ~ 14) I<sub>max</sub>= 27A Material: Copper Thickness: 0.8mm

| BEISIT NO. | TYPE       | American Bolt number | D2(mm) | DIMENSION |      |      |      |     | color |
|------------|------------|----------------------|--------|-----------|------|------|------|-----|-------|
|            |            |                      |        | B         | L    | F    | H    | Dφ  |       |
| BT012-011  | ESV 2-3.2  | # 4                  | 3.2    | 5.7       | 21.2 | 6.5  | 10.0 | 4.9 | blue  |
| BT012-012  | ESVS 2-3.7 | # 6                  | 3.7    | 5.7       | 21.2 | 6.5  |      |     |       |
| BT012-013  | ESVL 2-3.7 | # 6                  | 3.7    | 6.0       | 21.2 | 6.5  |      |     |       |
| BT012-014  | ESVS 2-4   | # 8                  | 4.3    | 6.4       | 21.2 | 6.5  |      |     |       |
| BT012-015  | ESVM 2-4   | # 8                  | 4.3    | 7.2       | 21.2 | 6.5  |      |     |       |
| BT012-016  | ESVL 2-4   | # 8                  | 4.3    | 8.1       | 21.2 | 6.5  |      |     |       |
| BT012-017  | ESVS 2-5   | # 10                 | 5.3    | 8.1       | 21.2 | 6.5  |      |     |       |
| BT012-018  | ESVL 2-5   | # 10                 | 5.3    | 9.5       | 21.2 | 6.5  |      |     |       |
| BT012-019  | ESVS 2-6   | 1/4                  | 6.5    | 9.5       | 21.2 | 6.5  |      |     |       |
| BT012-020  | ESVL 2-6   | 1/4                  | 6.5    | 12.0      | 27.2 | 11.0 |      |     |       |

Conductor section: 4-6mm<sup>2</sup> (A.W.G 12 ~ 10) I<sub>max</sub>= 48A Material: Copper Thickness: 1.0mm

| BEISIT NO. | TYPE        | American Bolt number | D2(mm) | DIMENSION |    |      |      |     | color  |
|------------|-------------|----------------------|--------|-----------|----|------|------|-----|--------|
|            |             |                      |        | B         | L  | F    | H    | Dφ  |        |
| BT012-021  | ESV 5.5-3.5 | # 6                  | 3.7    | 8.3       | 26 | 7.5  | 13.0 | 6.7 | yellow |
| BT012-022  | ESVS 5.5-4  | # 8                  | 4.3    | 8.3       | 26 | 7.5  |      |     |        |
| BT012-023  | ESVL 5.5-4  | # 8                  | 4.3    | 9.0       | 26 | 7.5  |      |     |        |
| BT012-024  | ESV 5.5-5   | # 10                 | 5.3    | 9.0       | 26 | 7.5  |      |     |        |
| BT012-025  | ESVS 5.5-6  | 1/4                  | 6.5    | 9.0       | 26 | 7.5  |      |     |        |
| BT012-026  | ESVL 5.5-6  | 1/4                  | 6.5    | 12.0      | 32 | 12.0 |      |     |        |
| BT012-027  | ESV 5.5-8   | 5/16                 | 8.4    | 14.0      | 37 | 11.5 |      |     |        |



Conductor section: 0.5-1.5mm<sup>2</sup> (A.W.G 22 ~ 16) I<sub>max</sub>= 19A Material: Copper Thickness: 0.7mm

| BEISIT NO. | TYPE          | American Bolt number | D2(mm) | DIMENSION |      |      |      |     | color |
|------------|---------------|----------------------|--------|-----------|------|------|------|-----|-------|
|            |               |                      |        | B         | L    | F    | H    | Dφ  |       |
| BT012-028  | ERV 1.25-3    | # 4                  | 3.2    | 5.7       | 17.6 | 4.95 | 10.0 | 4.3 | red   |
| BT012-029  | ERVS 1.25-3.5 | # 6                  | 3.7    | 5.7       | 17.6 | 4.95 |      |     |       |
| BT012-030  | ERVM 1.25-3.5 | # 6                  | 3.7    | 6.6       | 19.4 | 6.3  |      |     |       |
| BT012-031  | ERVL 1.25-3.5 | # 6                  | 3.7    | 8.0       | 20.8 | 7.0  |      |     |       |
| BT012-032  | ERVS 1.25-4   | # 8                  | 4.3    | 6.6       | 19.4 | 6.3  |      |     |       |
| BT012-033  | ERVL 1.25-4   | # 8                  | 4.3    | 8.0       | 20.8 | 7.0  |      |     |       |
| BT012-034  | ERVS 1.25-5   | # 10                 | 5.3    | 8.0       | 20.8 | 7.0  |      |     |       |
| BT012-035  | ERVL 1.25-5   | # 10                 | 5.3    | 9.8       | 23   | 8.5  |      |     |       |
| BT012-036  | ERVS 1.25-6   | 1/4                  | 6.4    | 9.8       | 23   | 8.5  |      |     |       |
| BT012-037  | ERVL 1.25-6   | 1/4                  | 6.4    | 11.6      | 26.8 | 11.1 |      |     |       |
| BT012-038  | ERV 1.25-8    | 5/16                 | 8.4    | 11.6      | 26.8 | 11.1 |      |     |       |
| BT012-039  | ERV 1.25-10   | 3/8                  | 10.5   | 13.6      | 30.5 | 13.9 |      |     |       |
| BT012-040  | ERV 1.25-12   | 1/2                  | 13.0   | 19.2      | 36   | 16.5 |      |     |       |



Conductor section: 0.5-1.5mm<sup>2</sup> (A.W.G 16 ~ 14) I<sub>max</sub>= 27A Material: Copper Thickness: 0.8mm

| BEISIT NO. | TYPE       | American Bolt number | D2(mm) | DIMENSION |      |      |      |     | color |
|------------|------------|----------------------|--------|-----------|------|------|------|-----|-------|
|            |            |                      |        | B         | L    | F    | H    | Dφ  |       |
| BT012-041  | ERV 2-3    | # 4                  | 3.2    | 6.6       | 17.5 | 4.3  | 10.0 | 4.9 | blue  |
| BT012-042  | ERVS 2-3.5 | # 6                  | 3.7    | 6.6       | 17.5 | 4.3  |      |     |       |
| BT012-043  | ERVM 2-3.5 | # 8                  | 3.7    | 6.6       | 21.2 | 7.0  |      |     |       |
| BT012-044  | ERVL 2-3.5 | # 6                  | 3.7    | 8.5       | 22   | 7.75 |      |     |       |
| BT012-045  | ERVS 2-4   | # 8                  | 4.3    | 6.6       | 21.2 | 7.0  |      |     |       |
| BT012-046  | ERVL 2-4   | # 8                  | 4.3    | 8.5       | 22   | 7.75 |      |     |       |
| BT012-047  | ERVS 2-5   | # 10                 | 5.3    | 8.5       | 22   | 7.75 |      |     |       |
| BT012-048  | ERVL 2-5   | # 10                 | 5.3    | 9.5       | 22   | 7.25 |      |     |       |
| BT012-049  | ERVS 2-6   | 1/4                  | 6.4    | 12.0      | 27   | 11.0 |      |     |       |
| BT012-050  | ERV 2-8    | 5/16                 | 8.4    | 12.0      | 27   | 11.0 |      |     |       |
| BT012-051  | ERV 2-10   | 3/8                  | 10.5   | 13.6      | 30.7 | 13.9 |      |     |       |
| BT012-052  | ERV 2-12   | 1/2                  | 13.0   | 19.2      | 36.2 | 16.5 |      |     |       |

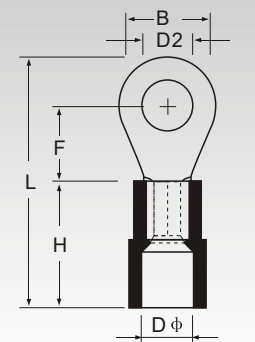


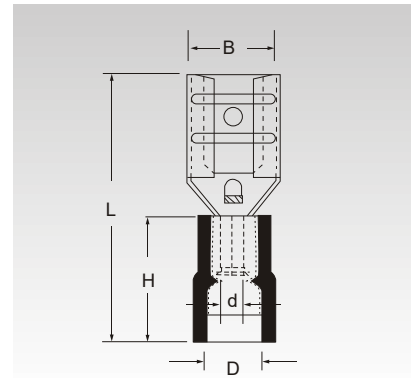
Conductor section: 2.5-4mm<sup>2</sup> (A.W.G 14 ~ 12) I<sub>max</sub>= 37A Material: Copper Thickness: 1.0mm

| BEISIT NO. | TYPE       | American Bolt number | D2(mm) | DIMENSION |      |     |      |     | color |
|------------|------------|----------------------|--------|-----------|------|-----|------|-----|-------|
|            |            |                      |        | B         | L    | F   | H    | Dφ  |       |
| BT012-053  | ERV 3.5-4  | # 8                  | 4.3    | 8.0       | 24.5 | 7.7 | 13.0 | 6.2 | black |
| BT012-054  | ERVS 3.5-5 | # 10                 | 5.3    | 8.0       | 24.5 | 7.7 |      |     |       |
| BT012-055  | ERVL 3.5-5 | # 10                 | 5.3    | 12.0      | 27.9 | 7.7 |      |     |       |
| BT012-056  | ERV 3.5-6  | 1/4                  | 6.4    | 12.0      | 27.9 | 7.7 |      |     |       |

Conductor section: 4-6mm<sup>2</sup> (A.W.G 12 ~ 10) I<sub>max</sub>= 48A Material: Copper Thickness: 1.0mm

| BEISIT NO. | TYPE        | American Bolt number | D2(mm) | DIMENSION |       |      |      |     | color  |
|------------|-------------|----------------------|--------|-----------|-------|------|------|-----|--------|
|            |             |                      |        | B         | L     | F    | H    | Dφ  |        |
| BT012-057  | ERV 5.5-3.5 | # 6                  | 3.7    | 7.2       | 21.7  | 5.3  | 13.0 | 6.7 | yellow |
| BT012-058  | ERVS 5.5-4  | # 8                  | 4.3    | 7.2       | 21.7  | 5.3  |      |     |        |
| BT012-059  | ERVL 5.5-4  | # 8                  | 4.3    | 9.5       | 25.8  | 8.25 |      |     |        |
| BT012-060  | ERV 5.5-5   | # 10                 | 5.3    | 9.5       | 25.8  | 8.25 |      |     |        |
| BT012-061  | ERVS 5.5-6  | 1/4                  | 6.4    | 12.0      | 29.35 | 10.7 |      |     |        |
| BT012-062  | ERVL 5.5-6  | 1/4                  | 6.4    | 12.0      | 31.8  | 13   |      |     |        |
| BT012-063  | ERV 5.5-8   | 5/16                 | 8.4    | 15.0      | 34    | 13.7 |      |     |        |
| BT012-064  | ERV 5.5-10  | 3/8                  | 10.5   | 15.0      | 34    | 13.7 |      |     |        |
| BT012-065  | ERV 5.5-12  | 1/2                  | 13.0   | 19.2      | 38.4  | 16   |      |     |        |





Conductor section: 0.5-1.5mm<sup>2</sup> (A.W.G 22~16) I<sub>max</sub>= 10A Material: Brass

| BEISIT NO. | TYPE          | Nema Tab (mm) | Thickness of material (mm) | DIMENSION |     |     |      |      | color |
|------------|---------------|---------------|----------------------------|-----------|-----|-----|------|------|-------|
|            |               |               |                            | B         | D φ | d φ | L    | H    |       |
| BT012-066  | EFDD 1.25-250 | 0.8 × 6.35    | 0.4                        | 7.4       | 3.8 | 1.7 | 21.0 | 10.0 | red   |

Conductor section: 1.5-2.5mm<sup>2</sup> (A.W.G 16~14) I<sub>max</sub>= 15A Material: Brass

| BEISIT NO. | TYPE       | Nema Tab (mm) | Thickness of material (mm) | DIMENSION |     |     |      |      | color |
|------------|------------|---------------|----------------------------|-----------|-----|-----|------|------|-------|
|            |            |               |                            | B         | D φ | d φ | L    | H    |       |
| BT012-067  | EFDD 2-250 | 0.8 × 6.35    | 0.4                        | 7.4       | 4.3 | 2.3 | 21.0 | 10.0 | blue  |

Conductor section: 4-6mm<sup>2</sup> (A.W.G 12~10) I<sub>max</sub>= 24A Material: Brass

| BEISIT NO. | TYPE         | Nema Tab (mm) | Thickness of material (mm) | DIMENSION |     |     |      |      | color  |
|------------|--------------|---------------|----------------------------|-----------|-----|-----|------|------|--------|
|            |              |               |                            | B         | D φ | d φ | L    | H    |        |
| BT012-068  | EFDD 5.5-250 | 0.8 × 6.35    | 0.4                        | 7.4       | 5.7 | 3.4 | 25.0 | 13.0 | yellow |

公預絕緣端頭 (雙壓易進式)  
MALE PPE-INSULATING JOINT (INSIDE COLLAR)  
EASY ENTRY COPPER SLEEVE

Conductor section: 0.5-1.5mm<sup>2</sup> (A.W.G 22~16) I<sub>max</sub>= 10A Material: Brass

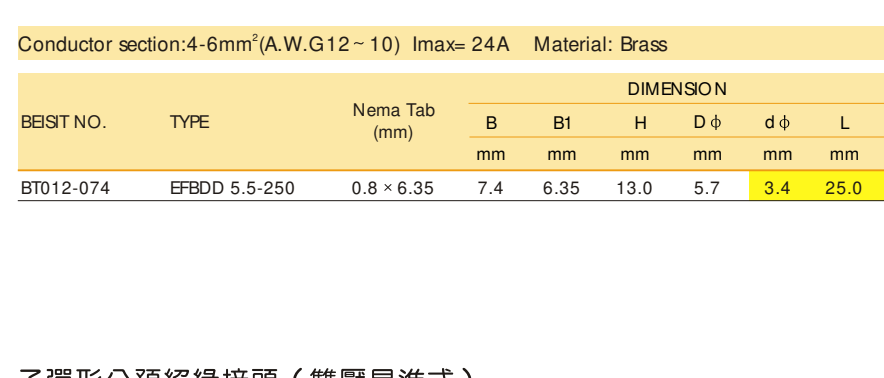
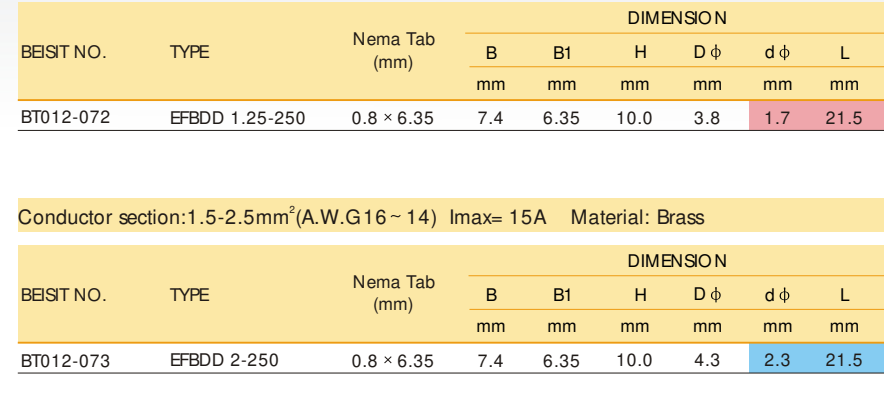
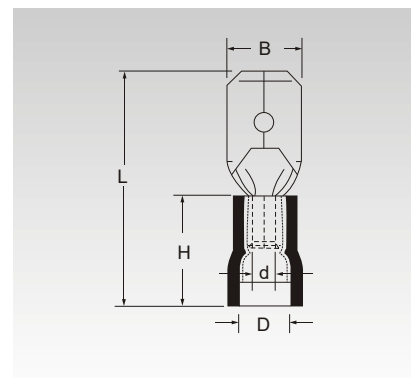
| BEISIT NO. | TYPE          | Nema Tab (mm) | Thickness of material (mm) | DIMENSION |     |     |      |      | color |
|------------|---------------|---------------|----------------------------|-----------|-----|-----|------|------|-------|
|            |               |               |                            | B         | D φ | d φ | L    | H    |       |
| BT012-069  | EMDD 1.25-250 | 0.8 × 6.35    | 0.4 × 0.2                  | 6.35      | 4.3 | 1.7 | 21.0 | 10.0 | red   |

Conductor section: 1.5-2.5mm<sup>2</sup> (A.W.G 16~14) I<sub>max</sub>= 15A Material: Brass

| BEISIT NO. | TYPE       | Nema Tab (mm) | Thickness of material (mm) | DIMENSION |     |     |      |      | color |
|------------|------------|---------------|----------------------------|-----------|-----|-----|------|------|-------|
|            |            |               |                            | B         | D φ | d φ | L    | H    |       |
| BT012-070  | EMDD 2-250 | 0.8 × 6.35    | 0.4 × 0.2                  | 6.35      | 4.3 | 2.3 | 21.0 | 10.0 | blue  |

Conductor section: 4-6mm<sup>2</sup> (A.W.G 12~10) I<sub>max</sub>= 24A Material: Brass

| BEISIT NO. | TYPE         | Nema Tab (mm) | Thickness of material (mm) | DIMENSION |     |     |      |      | color  |
|------------|--------------|---------------|----------------------------|-----------|-----|-----|------|------|--------|
|            |              |               |                            | B         | D φ | d φ | L    | H    |        |
| BT012-071  | EMDD 5.5-250 | 0.8 × 6.35    | 0.4 × 0.2                  | 6.35      | 5.7 | 3.4 | 25.0 | 13.0 | yellow |



Conductor section: 0.5-1.5mm<sup>2</sup> (A.W.G 22~16) I<sub>max</sub>= 10A Material: Brass

| BEISIT NO. | TYPE           | Nema Tab (mm) | DIMENSION |      |      |     |     | color |  |
|------------|----------------|---------------|-----------|------|------|-----|-----|-------|--|
|            |                |               | B         | B1   | H    | D φ | d φ |       |  |
| BT012-072  | EFBDD 1.25-250 | 0.8 × 6.35    | 7.4       | 6.35 | 10.0 | 3.8 | 1.7 | 21.5  |  |

Conductor section: 1.5-2.5mm<sup>2</sup> (A.W.G 16~14) I<sub>max</sub>= 15A Material: Brass

| BEISIT NO. | TYPE        | Nema Tab (mm) | DIMENSION |      |      |     |     | color |  |
|------------|-------------|---------------|-----------|------|------|-----|-----|-------|--|
|            |             |               | B         | B1   | H    | D φ | d φ |       |  |
| BT012-073  | EFBDD 2-250 | 0.8 × 6.35    | 7.4       | 6.35 | 10.0 | 4.3 | 2.3 | 21.5  |  |

Conductor section: 4-6mm<sup>2</sup> (A.W.G 12~10) I<sub>max</sub>= 24A Material: Brass

| BEISIT NO. | TYPE          | Nema Tab (mm) | DIMENSION |      |      |     |     | color |  |
|------------|---------------|---------------|-----------|------|------|-----|-----|-------|--|
|            |               |               | B         | B1   | H    | D φ | d φ |       |  |
| BT012-074  | EFBDD 5.5-250 | 0.8 × 6.35    | 7.4       | 6.35 | 13.0 | 5.7 | 3.4 | 25.0  |  |

子彈形公預絕緣接頭 (雙壓易進式)  
BULLET SHAPED MALE PPE-INSULATING JOINT (INSIDE COLLAR)  
EASY ENTRY COPPER SLEEVE

Conductor section: 0.5-1.5mm<sup>2</sup> (A.W.G 22~16) I<sub>max</sub>= 10A Material: Brass

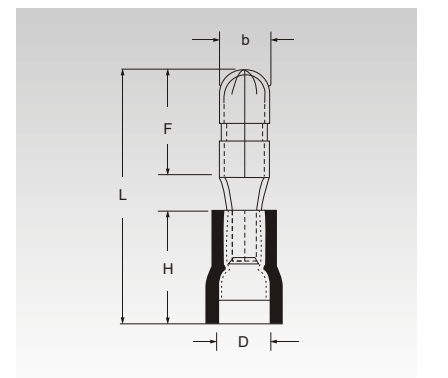
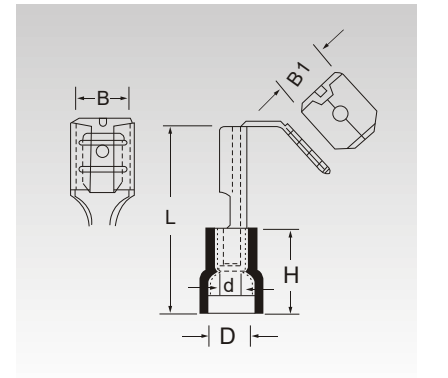
| BEISIT NO. | TYPE          | Thickness of material (mm) | DIMENSION |      |     |      | color |     |
|------------|---------------|----------------------------|-----------|------|-----|------|-------|-----|
|            |               |                            | b φ       | F    | D φ | H    |       |     |
| BT012-075  | EMPD 1.25-156 | 0.4                        | 4.0       | 11.0 | 1.7 | 10.0 | 21.0  | red |

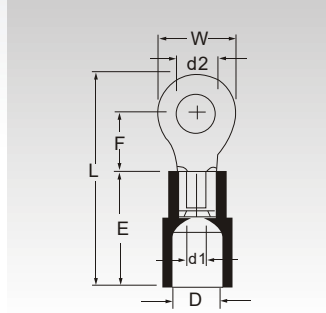
Conductor section: 1.5-2.5mm<sup>2</sup> (A.W.G 16~14) I<sub>max</sub>= 15A Material: Brass

| BEISIT NO. | TYPE       | Thickness of material (mm) | DIMENSION |      |     |      | color |      |
|------------|------------|----------------------------|-----------|------|-----|------|-------|------|
|            |            |                            | b φ       | F    | D φ | H    |       |      |
| BT012-076  | EMPD 2-156 | 0.4                        | 4.0       | 11.0 | 2.3 | 10.0 | 21.0  | blue |
| BT012-077  | EMPD 2-196 | 0.4                        | 5.0       | 11.0 | 2.3 | 10.0 |       |      |

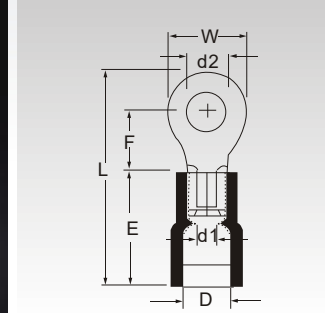
Conductor section: 4-6mm<sup>2</sup> (A.W.G 12~10) I<sub>max</sub>= 24A Material: Brass

| BEISIT NO. | TYPE       | Thickness of material (mm) | DIMENSION |      |     |      | color |        |
|------------|------------|----------------------------|-----------|------|-----|------|-------|--------|
|            |            |                            | b φ       | F    | D φ | H    |       |        |
| BT012-078  | EMPD 5-195 | 0.4                        | 5.0       | 12.0 | 3.4 | 13.0 | 25.0  | yellow |





1. Maximum Electric Rating: 105°C 600V
2. Maximum Electric Current: 22-16AWG/0.5-1.5mm<sup>2</sup>:19A  
16-14AWG/1.5-2.5mm<sup>2</sup>:27A  
12-10AWG/4-6mm<sup>2</sup>:48A
3. Terminal Bopper
4. Insulation: Nylon
5. Plating: Tin



1. Maximum Electric Rating: 105°C 600V
2. Maximum Electric Current: 22-16AWG/0.5-1.5mm<sup>2</sup>:19A  
16-14AWG/1.5-2.5mm<sup>2</sup>:27A  
12-10AWG/4-6mm<sup>2</sup>:48A
3. Terminal Bopper
4. Insulation: Nylon
5. Plating: Tin

| BEISIT NO. | Wire Range<br>mm <sup>2</sup> /Awg | TYPE           | 螺絲規格         |            | DIMENSION  |             |             |            |           |           |            |        | Insulation<br>Color |
|------------|------------------------------------|----------------|--------------|------------|------------|-------------|-------------|------------|-----------|-----------|------------|--------|---------------------|
|            |                                    |                | Stud<br>Size | d2         | W          | F           | L           | E          | D         | d1        | T          |        |                     |
| BT012-079  | 0.5~1.5<br>mm <sup>2</sup>         | N-FV 1.25-3    | # 4          | 3.2(.126)  | 5.5(.216)  | 5.0(.197)   | 18.0(.709)  | 10.5(.413) | 4.1(.161) | 1.7(0.67) | 0.75(0.30) | red    |                     |
| BT012-080  |                                    | N-FVS 1.25-3.5 | # 6          | 3.7(.146)  | 6.6(.260)  | 6.3(.248)   | 20.1(.791)  |            |           |           |            |        |                     |
| BT012-081  |                                    | N-FVM 1.25-3.5 | # 6          | 3.7(.146)  | 5.5(.216)  | 5.0(.197)   | 18.0(.709)  |            |           |           |            |        |                     |
| BT012-082  |                                    | N-FML 1.25-3.5 | # 6          | 3.7(.146)  | 8.0(.315)  | 7.0(.276)   | 21.5(.847)  |            |           |           |            |        |                     |
| BT012-083  |                                    | N-FVS 1.25-4   | # 8          | 4.3(.169)  | 8.0(.315)  | 7.0(.276)   | 21.5(.847)  |            |           |           |            |        |                     |
| BT012-084  |                                    | N-FML 1.25-4   | # 8          | 4.3(.169)  | 6.6(.260)  | 6.3(.248)   | 20.1(.791)  |            |           |           |            |        |                     |
| BT012-085  |                                    | N-FVS 1.25-5   | # 10         | 5.3(.209)  | 11.6(.457) | 11.0(.433)  | 27.2(1.071) |            |           |           |            |        |                     |
| BT012-086  |                                    | N-FML 1.25-5   | # 10         | 5.3(.209)  | 8.0(.209)  | 7.0(.276)   | 21.5(.847)  |            |           |           |            |        |                     |
| BT012-087  |                                    | N-FV 1.25-6    | 1 / 4        | 6.4(.252)  | 11.6(.457) | 11.0(.433)  | 27.2(1.071) |            |           |           |            |        |                     |
| BT012-088  |                                    | N-FV 1.25-8    | 5/16         | 8.4(.331)  | 11.6(.457) | 11.0(.433)  | 27.2(1.071) |            |           |           |            |        |                     |
| BT012-089  | N-FV 1.25-10                       | 3/8            | 10.0(.393)   | 14.0(.551) | 14.5(.571) | 32.0(1.22)  |             |            |           |           |            |        |                     |
| BT012-090  | 1.5~2.5<br>mm <sup>2</sup>         | N-FV 2-3       | # 4          | 3.2(.126)  | 6.6(.261)  | 6.3(.248)   | 20.6(.811)  | 11.0(.433) | 4.5(.177) | 2.3(.090) | 0.8(.031)  | blue   |                     |
| BT012-091  |                                    | N-FVS 2-3.5    | # 6          | 3.7(.146)  | 6.6(.261)  | 6.3(.248)   | 20.6(.811)  |            |           |           |            |        |                     |
| BT012-092  |                                    | N-FML 2-3.5    | # 6          | 3.7(.146)  | 8.0(.315)  | 7.0(.276)   | 22.0(.867)  |            |           |           |            |        |                     |
| BT012-093  |                                    | N-FVS 2-4      | # 8          | 4.3(.169)  | 8.0(.315)  | 7.0(.276)   | 22.0(.867)  |            |           |           |            |        |                     |
| BT012-094  |                                    | N-FML 2-4      | # 8          | 4.3(.169)  | 9.5(.374)  | 7.3(.287)   | 22.8(.898)  |            |           |           |            |        |                     |
| BT012-095  |                                    | N-FV 2-5       | # 10         | 5.3(.209)  | 8.0(.315)  | 7.0(.276)   | 22.0(.867)  |            |           |           |            |        |                     |
| BT012-096  |                                    | N-FV 2-6       | 1 / 4        | 6.4(.252)  | 11.6(.457) | 11.0(.433)  | 27.7(1.091) |            |           |           |            |        |                     |
| BT012-097  |                                    | N-FV 2-8       | 5/16         | 8.4(.331)  | 11.6(.457) | 11.0(.433)  | 27.7(1.091) |            |           |           |            |        |                     |
| BT012-098  |                                    | N-FV 2-10      | 3/8          | 10.0(.393) | 14.0(.551) | 14.5(.571)  | 32.0(1.24)  |            |           |           |            |        |                     |
| BT012-099  |                                    | N-FV 5.5-3.5   | # 6          | 3.7(.146)  | 7.2(.283)  | 6.1(.240)   | 23.2(.914)  |            |           |           |            |        |                     |
| BT012-100  | N-FVS 5.5-4                        | # 8            | 4.3(.169)    | 9.5(.374)  | 8.3(.327)  | 26.3(1.036) |             |            |           |           |            |        |                     |
| BT012-101  | 4~6<br>mm <sup>2</sup>             | N-FML 5.5-4    | # 8          | 4.3(.169)  | 7.2(.283)  | 6.1(.240)   | 23.2(.914)  | 13.5(.531) | 6.5(.256) | 3.4(.134) | 1.0(.039)  | yellow |                     |
| BT012-102  |                                    | N-FV 5.5-5     | # 10         | 5.3(.209)  | 9.5(.374)  | 8.3(.327)   | 26.3(1.036) |            |           |           |            |        |                     |
| BT012-103  |                                    | N-FV 5.5-6     | 1 / 4        | 6.4(.252)  | 12.0(.472) | 10.5(.413)  | 29.5(1.162) |            |           |           |            |        |                     |
| BT012-104  |                                    | N-FV 5.5-8     | 5/16         | 8.4(.331)  | 15.0(.591) | 13.5(.534)  | 34.7(1.366) |            |           |           |            |        |                     |
| BT012-105  |                                    | N-FV 5.5-10    | 3/8          | 10.0(.393) | 15.0(.591) | 13.5(.534)  | 34.7(1.366) |            |           |           |            |        |                     |
| BT012-106  |                                    | N-FV 5.5-12    | 1 / 2        | 13.0(.512) | 19.0(.748) | 16.0(.630)  | 39.0(1.536) |            |           |           |            |        |                     |

| BEISIT NO. | Wire Range<br>mm <sup>2</sup> /Awg | TYPE           | 螺絲規格         |            | DIMENSION  |            |             |            |           |           |           |        | Insulation<br>Color |
|------------|------------------------------------|----------------|--------------|------------|------------|------------|-------------|------------|-----------|-----------|-----------|--------|---------------------|
|            |                                    |                | Stud<br>Size | d2         | W          | F          | L           | E          | D         | d1        | T         |        |                     |
| BT012-107  | 0.5~1.5<br>mm <sup>2</sup>         | N-FV 1.25-3    | # 4          | 3.2(.126)  | 5.5(.216)  | 5.0(.197)  | 18.0(.709)  | 10.5(.413) | 4.5(.177) | 1.7(0.67) | 0.8(0.31) | red    |                     |
| BT012-108  |                                    | N-FVS 1.25-3.5 | # 6          | 3.7(.146)  | 6.6(.260)  | 6.3(.248)  | 20.1(.791)  |            |           |           |           |        |                     |
| BT012-109  |                                    | N-FVM 1.25-3.5 | # 6          | 3.7(.146)  | 5.5(.216)  | 5.0(.197)  | 18.0(.709)  |            |           |           |           |        |                     |
| BT012-110  |                                    | N-FML 1.25-3.5 | # 6          | 3.7(.146)  | 8.0(.315)  | 7.0(.276)  | 21.5(.847)  |            |           |           |           |        |                     |
| BT012-111  |                                    | N-FVS 1.25-4   | # 8          | 4.3(.169)  | 8.0(.315)  | 7.0(.276)  | 21.5(.847)  |            |           |           |           |        |                     |
| BT012-112  |                                    | N-FML 1.25-4   | # 8          | 4.3(.169)  | 6.6(.260)  | 6.3(.248)  | 20.1(.791)  |            |           |           |           |        |                     |
| BT012-113  |                                    | N-FVS 1.25-5   | # 10         | 5.3(.209)  | 11.6(.457) | 11.0(.433) | 27.2(1.071) |            |           |           |           |        |                     |
| BT012-114  |                                    | N-FML 1.25-5   | # 10         | 5.3(.209)  | 8.0(.209)  | 7.0(.276)  | 21.5(.847)  |            |           |           |           |        |                     |
| BT012-115  |                                    | N-FV 1.25-6    | 1 / 4        | 6.4(.252)  | 11.6(.457) | 11.0(.433) | 27.2(1.071) |            |           |           |           |        |                     |
| BT012-116  |                                    | N-FV 1.25-8    | 5/16         | 8.4(.331)  | 11.6(.457) | 11.0(.433) | 27.2(1.071) |            |           |           |           |        |                     |
| BT012-117  | N-FV 1.25-10                       | 3/8            | 10.0(.393)   | 14.0(.551) | 14.5(.571) | 32.0(1.22) |             |            |           |           |           |        |                     |
| BT012-118  | 1.5~2.5<br>mm <sup>2</sup>         | N-FV 2-3       | # 4          | 3.2(.126)  | 6.6(.261)  | 6.3(.248)  | 20.1(.791)  | 11.0(.433) | 5.2(.205) | 2.3(.091) | 0.8(.031) | blue   |                     |
| BT012-119  |                                    | N-FVS 2-3.5    | # 6          | 3.7(.146)  | 6.6(.261)  | 6.3(.248)  | 20.1(.791)  |            |           |           |           |        |                     |
| BT012-120  |                                    | N-FML 2-3.5    | # 6          | 3.7(.146)  | 8.0(.315)  | 7.0(.276)  | 21.5(.847)  |            |           |           |           |        |                     |
| BT012-121  |                                    | N-FVS 2-4      | # 8          | 4.3(.169)  | 8.0(.315)  | 7.0(.276)  | 21.5(.847)  |            |           |           |           |        |                     |
| BT012-122  |                                    | N-FML 2-4      | # 8          | 4.3(.169)  | 6.6(.374)  | 6.3(.248)  | 20.1(.791)  |            |           |           |           |        |                     |
| BT012-123  |                                    | N-FVS 2-5      | # 10         | 5.3(.209)  | 9.5(.374)  | 7.3(.287)  | 21.8(.858)  |            |           |           |           |        |                     |
| BT012-124  |                                    | N-FML 2-5      | # 10         | 5.3(.209)  | 8.0(.315)  | 7.0(.276)  | 21.5(.847)  |            |           |           |           |        |                     |
| BT012-125  |                                    | N-FV 2-6       | 1 / 4        | 6.4(.252)  | 11.6(.457) | 11.0(.433) | 27.2(1.071) |            |           |           |           |        |                     |
| BT012-126  |                                    | N-FV 2-8       | 5/16         | 8.4(.331)  | 11.6(.457) | 11.0(.433) | 27.2(1.071) |            |           |           |           |        |                     |
| BT012-127  |                                    | N-FV 2-10      | 3/8          | 10.0(.393) | 14.0(.551) | 14.5(.571) | 32.0(1.24)  |            |           |           |           |        |                     |
| BT012-128  | 4~6<br>mm <sup>2</sup>             | N-FV 5.5-3.5   | # 6          | 3.7(.146)  | 7.2(.283)  | 6.1(.240)  | 23.2(.914)  | 13.0(.512) | 7.0(.276) | 3.5(.137) | 1.0(.039) | yellow |                     |
| BT012-129  |                                    | N-FVS 5.5-4    | # 8          | 4.3(.169)  | 9.5(.374)  | 8.3(.327)  | 25.8(1.016) |            |           |           |           |        |                     |
| BT012-130  |                                    | N-FML 5.5-4    | # 8          | 4.3(.169)  | 7.2(.283)  | 6.1(.240)  | 23.3(.914)  |            |           |           |           |        |                     |
| BT012-131  |                                    | N-FV 5.5-5     | # 10         | 5.3(.209)  | 9.5(.374)  | 8.3(.327)  | 26.2(1.036) |            |           |           |           |        |                     |
| BT012-132  |                                    | N-FV 5.5-6     | 1 / 4        | 6.4(.252)  | 12.0(.472) | 10.5(.413) | 29.5(1.162) |            |           |           |           |        |                     |
| BT012-133  |                                    | N-FV 5.5-8     | 5/16         | 8.4(.331)  | 15.0(.591) | 13.5(.534) | 34.7(1.366) |            |           |           |           |        |                     |
| BT012-134  |                                    | N-FV 5.5-10    | 3/8          | 10.0(.393) | 15.0(.591) | 13.5(.534) | 34.7(1.366) |            |           |           |           |        |                     |
| BT012-135  |                                    | N-FV 5.5-12    | 1 / 2        | 13.0(.512) | 19.0(.748) | 16.0(.630) | 39.0(1.536) |            |           |           |           |        |                     |



Conductor section: 0.5-1.5mm<sup>2</sup> (A.W.G22 ~ 16) I<sub>max</sub>= 19A Material: Copper Thickness: 0.7mm

| BEISIT NO. | TYPE        | American Bolt number | d2φ (mm) | DIMENSION |      |      |    |     | color |
|------------|-------------|----------------------|----------|-----------|------|------|----|-----|-------|
|            |             |                      |          | B         | L    | F    | H  | Dφ  |       |
| BT012-136  | SV1.25-3    | # 4                  | 3.2      | 5.7       | 21.2 | 6.5  | 10 | 4.3 | red   |
| BT012-137  | SVS1.25-3.5 | # 6                  | 3.7      | 5.7       | 21.2 | 6.5  |    |     |       |
| BT012-138  | SM1.25-3.5  | # 6                  | 3.7      | 6.4       | 21.2 | 6.5  |    |     |       |
| BT012-139  | SVS1.25-4   | # 8                  | 4.3      | 6.4       | 21.2 | 6.5  |    |     |       |
| BT012-140  | SML1.25-4   | # 8                  | 4.3      | 7.2       | 21.2 | 6.5  |    |     |       |
| BT012-141  | SM1.25-4    | # 8                  | 4.3      | 8.1       | 21.2 | 6.5  |    |     |       |
| BT012-142  | SVS1.25-5   | # 10                 | 5.3      | 8.1       | 21.2 | 6.5  |    |     |       |
| BT012-143  | SML1.25-5   | # 10                 | 5.3      | 9.5       | 21.2 | 6.5  |    |     |       |
| BT012-144  | SVS1.25-6   | 1/4                  | 6.4      | 9.5       | 21.2 | 6.5  |    |     |       |
| BT012-145  | SML1.25-6   | 1/4                  | 6.4      | 12.0      | 27.2 | 11.0 |    |     |       |

Conductor section: 0.5-1.5mm<sup>2</sup> (A.W.G16 ~ 14) I<sub>max</sub>= 27A Material: Copper Thickness: 0.8mm

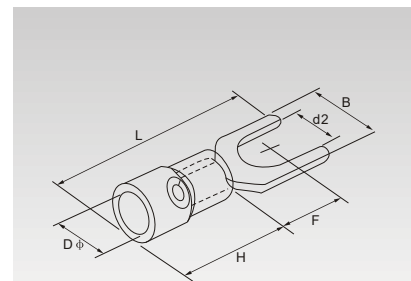
| BEISIT NO. | TYPE     | American Bolt number | d2φ (mm) | DIMENSION |      |      |    |     | color |
|------------|----------|----------------------|----------|-----------|------|------|----|-----|-------|
|            |          |                      |          | B         | L    | F    | H  | Dφ  |       |
| BT012-146  | SV2-3    | # 4                  | 3.2      | 5.7       | 21.2 | 6.5  | 10 | 4.9 | blue  |
| BT012-147  | SVS2-3.5 | # 6                  | 3.7      | 5.7       | 21.2 | 6.5  |    |     |       |
| BT012-148  | SML2-3.5 | # 6                  | 3.7      | 6.4       | 21.2 | 6.5  |    |     |       |
| BT012-149  | SVS2-4   | # 8                  | 4.3      | 6.0       | 21.2 | 6.5  |    |     |       |
| BT012-150  | SML2-4   | # 8                  | 4.3      | 7.2       | 21.2 | 6.5  |    |     |       |
| BT012-151  | SM2-4    | # 8                  | 4.3      | 8.1       | 21.2 | 6.5  |    |     |       |
| BT012-152  | SVS2-5   | # 10                 | 5.3      | 8.1       | 21.2 | 6.5  |    |     |       |
| BT012-153  | SML2-5   | # 10                 | 5.3      | 9.5       | 21.2 | 6.5  |    |     |       |
| BT012-154  | SVS2-6   | 1/4                  | 6.4      | 9.5       | 21.2 | 6.5  |    |     |       |
| BT012-155  | SML2-6   | 1/4                  | 6.4      | 12.0      | 27.2 | 11.0 |    |     |       |

Conductor section: 2.5-4mm<sup>2</sup> (A.W.G14 ~ 12) I<sub>max</sub>= 37A Material: Copper Thickness: 1.0mm

| BEISIT NO. | TYPE    | American Bolt number | d2φ (mm) | DIMENSION |      |      |     |       | color |
|------------|---------|----------------------|----------|-----------|------|------|-----|-------|-------|
|            |         |                      |          | B         | L    | F    | H   | Dφ    |       |
| BT012-156  | SV3.5-3 | # 4                  | 3.2      | 24.8      | 7.0  | 13.0 | 6.2 | black |       |
| BT012-157  | SV3.5-4 | # 8                  | 4.3      | 24.8      | 7.0  |      |     |       |       |
| BT012-158  | SV3.5-5 | # 10                 | 5.3      | 24.8      | 7.0  |      |     |       |       |
| BT012-159  | SV3.5-6 | 1/4                  | 6.4      | 28.0      | 12.1 |      |     |       |       |

Conductor section: 4-6mm<sup>2</sup> (A.W.G12 ~ 10) I<sub>max</sub>= 48A Material: Copper Thickness: 1.0mm

| BEISIT NO. | TYPE      | American Bolt number | d2φ (mm) | DIMENSION |    |      |      |     | color  |
|------------|-----------|----------------------|----------|-----------|----|------|------|-----|--------|
|            |           |                      |          | B         | L  | F    | H    | Dφ  |        |
| BT012-160  | SV5.5-3.5 | # 6                  | 3.7      | 8.3       | 26 | 7.5  | 13.0 | 6.7 | yellow |
| BT012-161  | SVS5.5-4  | # 8                  | 4.3      | 8.3       | 26 | 7.5  |      |     |        |
| BT012-162  | SML5.5-4  | # 8                  | 4.3      | 9.0       | 26 | 7.5  |      |     |        |
| BT012-163  | SV5.5-5   | # 10                 | 5.3      | 9.0       | 26 | 7.5  |      |     |        |
| BT012-164  | SVS5.5-6  | 1/4                  | 6.4      | 9.0       | 26 | 7.5  |      |     |        |
| BT012-165  | SML5.5-6  | 1/4                  | 6.4      | 12.0      | 32 | 12.0 |      |     |        |
| BT012-166  | SV5.5-8   | 5/16                 | 8.4      | 14.0      | 37 | 11.5 |      |     |        |



Conductor section: 0.5-1.5mm<sup>2</sup> (A.W.G22 ~ 16) I<sub>max</sub>= 19A Material: Copper Thickness: 0.7mm

| BEISIT NO. | TYPE         | American Bolt number | d2φ (mm) | DIMENSION |      |      |     |     | Dφ  | dφ |
|------------|--------------|----------------------|----------|-----------|------|------|-----|-----|-----|----|
|            |              |                      |          | B         | L    | F    | E   |     |     |    |
| BT012-167  | SNB1.25-3    | # 4                  | 3.2      | 5.7       | 16.0 | 6.5  | 4.8 | 3.4 | 1.7 |    |
| BT012-168  | SNBS1.25-3.5 | # 6                  | 3.7      | 5.7       | 16.0 | 6.5  |     |     |     |    |
| BT012-169  | SNBL1.25-3.5 | # 6                  | 3.7      | 6.4       | 15.5 | 6.5  |     |     |     |    |
| BT012-170  | SNBS1.25-4   | # 8                  | 4.3      | 6.4       | 15.5 | 6.5  |     |     |     |    |
| BT012-171  | SNBM1.25-4   | # 8                  | 4.3      | 7.2       | 15.5 | 6.5  |     |     |     |    |
| BT012-172  | SNBL1.25-4   | # 8                  | 4.3      | 8.1       | 15.5 | 6.5  |     |     |     |    |
| BT012-173  | SNBS1.25-5   | # 10                 | 5.3      | 8.1       | 15.5 | 6.5  |     |     |     |    |
| BT012-174  | SNBL1.25-5   | # 10                 | 5.3      | 9.5       | 15.5 | 6.5  |     |     |     |    |
| BT012-175  | SNBS1.25-6   | 1/4                  | 6.4      | 9.5       | 15.5 | 6.5  |     |     |     |    |
| BT012-176  | SNBL1.25-6   | 1/4                  | 6.4      | 12.0      | 22.0 | 11.0 |     |     |     |    |

Conductor section: 1.5-2.5mm<sup>2</sup> (A.W.G16 ~ 14) I<sub>max</sub>= 27A Material: Copper Thickness: 0.8mm

| BEISIT NO. | TYPE      | American Bolt number | d2φ (mm) | DIMENSION |      |      |     |     | Dφ  | dφ |
|------------|-----------|----------------------|----------|-----------|------|------|-----|-----|-----|----|
|            |           |                      |          | B         | L    | F    | E   |     |     |    |
| BT012-177  | SNB2-3    | # 4                  | 3.2      | 5.7       | 16.0 | 6.5  | 4.8 | 4.1 | 2.3 |    |
| BT012-178  | SNBS2-3.5 | # 6                  | 3.7      | 5.7       | 16.0 | 6.5  |     |     |     |    |
| BT012-179  | SNBL2-3.5 | # 6                  | 3.7      | 6.0       | 16.0 | 6.5  |     |     |     |    |
| BT012-180  | SNBS2-4   | # 8                  | 4.3      | 6.4       | 16.0 | 6.5  |     |     |     |    |
| BT012-181  | SNBM2-4   | # 8                  | 4.3      | 7.2       | 16.0 | 6.5  |     |     |     |    |
| BT012-182  | SNBL2-4   | # 8                  | 4.3      | 8.1       | 16.0 | 6.5  |     |     |     |    |
| BT012-183  | SNBS2-5   | # 10                 | 5.3      | 8.1       | 16.0 | 6.5  |     |     |     |    |
| BT012-184  | SNBL2-5   | # 10                 | 5.3      | 9.5       | 16.0 | 6.5  |     |     |     |    |
| BT012-185  | SNBS2-6   | 1/4                  | 6.4      | 9.5       | 16.0 | 6.5  |     |     |     |    |
| BT012-186  | SNBL2-6   | 1/4                  | 6.4      | 12.0      | 22.0 | 11.0 |     |     |     |    |

Conductor section: 2.5-4mm<sup>2</sup> (A.W.G14 ~ 12) I<sub>max</sub>= 37A Material: Copper Thickness: 1.0mm

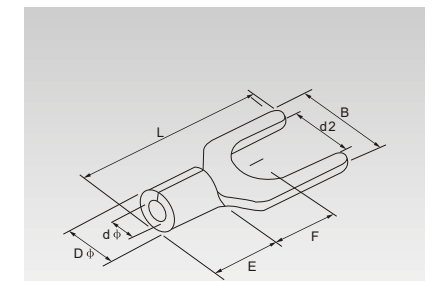
| BEISIT NO. | TYPE     | American Bolt number | d2φ (mm) | DIMENSION |      |      |     |     | Dφ  | dφ |
|------------|----------|----------------------|----------|-----------|------|------|-----|-----|-----|----|
|            |          |                      |          | B         | L    | F    | E   |     |     |    |
| BT012-187  | SNB3.5-3 | # 4                  | 3.2      | 5.7       | 18.3 | 7.0  | 6.0 | 5.0 | 3.0 |    |
| BT012-188  | SNB3.5-4 | # 8                  | 4.3      | 8.0       | 18.3 | 7.0  |     |     |     |    |
| BT012-189  | SNB3.5-5 | # 10                 | 5.3      | 8.0       | 18.3 | 7.0  |     |     |     |    |
| BT012-190  | SNB3.5-6 | 1/4                  | 6.4      | 12.0      | 21.5 | 10.5 |     |     |     |    |

Conductor section: 4-6mm<sup>2</sup> (A.W.G12 ~ 10) I<sub>max</sub>= 48A Material: Copper Thickness: 1.0mm

| BEISIT NO. | TYPE       | American Bolt number | d2φ (mm) | DIMENSION |      |      |     |     | Dφ  | dφ |
|------------|------------|----------------------|----------|-----------|------|------|-----|-----|-----|----|
|            |            |                      |          | B         | L    | F    | E   |     |     |    |
| BT012-191  | SNB5.5-3.5 | # 6                  | 3.7      | 8.3       | 19.5 | 7.2  | 6.8 | 5.6 | 3.4 |    |
| BT012-192  | SNBS5.5-4  | # 8                  | 4.3      | 8.3       | 19.5 | 7.2  |     |     |     |    |
| BT012-193  | SNBL5.5-4  | # 8                  | 4.3      | 9.0       | 19.5 | 7.5  |     |     |     |    |
| BT012-194  | SNB5.5-5   | # 10                 | 5.3      | 9.0       | 19.5 | 7.5  |     |     |     |    |
| BT012-195  | SNBS5.5-6  | 1/4                  | 6.4      | 9.0       | 19.5 | 7.2  |     |     |     |    |
| BT012-196  | SNBL5.5-6  | 1/4                  | 6.4      | 12.0      | 25.5 | 12.0 |     |     |     |    |
| BT012-197  | SNB5.5-8   | 5/16                 | 8.4      | 14.0      | 24.5 | 11.5 |     |     |     |    |

Material: copper Thickness: 1.2mm, 1.4mm, 1.7mm

| BEISIT NO. | TYPE    | American Bolt number | d2φ (mm) | DIMENSION |      |     |      |      | Dφ  | dφ |
|------------|---------|----------------------|----------|-----------|------|-----|------|------|-----|----|
|            |         |                      |          | B         | L    | F   | E    |      |     |    |
| BT012-198  | SNB8-4  | # 8                  | 4.3      | 8.7       | 23.0 | 6.0 | 8.5  | 7.2  | 4.5 |    |
| BT012-199  | SNB8-5  | # 10                 | 5.3      | 12.0      | 24.5 | 5.7 | 8.5  | 7.2  | 4.5 |    |
| BT012-200  | SNB8-6  | 1/4                  | 6.4      | 12.0      | 24.5 | 5.7 | 8.5  | 7.2  | 4.5 |    |
| BT012-201  | SNB8-8  | 5/16                 | 8.4      | 14.5      | 28.0 | 8.3 | 8.5  | 7.2  | 4.5 |    |
| BT012-202  | SNB14-6 | 1/4                  | 6.4      | 12.0      | 28.0 | 7.5 | 10.5 | 9.0  | 5.8 |    |
| BT012-203  | SNB14-8 | 5/16                 | 8.4      | 14.0      | 28.0 | 7.5 | 10.5 | 9.0  | 5.8 |    |
| BT012-204  | SNB22-8 | 5/16                 | 8.4      | 14.0      | 34.5 | 9.0 | 12.0 | 11.5 | 7.7 |    |





Conductor section: 0.5-1.5mm<sup>2</sup> (A.W.G 22 ~ 16) I<sub>max</sub>= 19A Material: Copper Thickness: 0.7mm

| BEISIT NO. | TYPE         | American Bolt number | d2φ (mm) | DIMENSION |      |      |      |     | color |
|------------|--------------|----------------------|----------|-----------|------|------|------|-----|-------|
|            |              |                      |          | B         | L    | F    | H    | Dφ  |       |
| BT012-205  | FM 1.25-3    | # 4                  | 3.2      | 5.7       | 17.6 | 4.95 | 10.0 | 4.3 | red   |
| BT012-206  | FMS 1.25-3.5 | # 6                  | 3.7      | 5.7       | 17.6 | 4.95 |      |     |       |
| BT012-207  | FMM 1.25-3.5 | # 6                  | 3.7      | 6.6       | 19.4 | 6.3  |      |     |       |
| BT012-208  | FML 1.25-3.5 | # 6                  | 3.7      | 8.0       | 20.8 | 7.0  |      |     |       |
| BT012-209  | FMS 1.25-4   | # 8                  | 4.3      | 6.6       | 19.4 | 6.3  |      |     |       |
| BT012-210  | FML 1.25-4   | # 8                  | 4.3      | 8.0       | 20.8 | 7.0  |      |     |       |
| BT012-211  | FMS 1.25-5   | # 10                 | 5.3      | 8.0       | 20.8 | 7.0  |      |     |       |
| BT012-212  | FML 1.25-5   | # 10                 | 5.3      | 9.8       | 23   | 8.5  |      |     |       |
| BT012-213  | FMS 1.25-6   | 1/4                  | 6.4      | 9.8       | 23   | 8.5  |      |     |       |
| BT012-214  | FML 1.25-6   | 1/4                  | 6.4      | 11.6      | 26.8 | 11.1 |      |     |       |
| BT012-215  | FM 1.25-8    | 5/16                 | 8.4      | 11.6      | 26.8 | 11.1 |      |     |       |
| BT012-216  | FM 1.25-10   | 3/8                  | 10.5     | 13.6      | 30.5 | 13.9 |      |     |       |
| BT012-217  | FM 1.25-12   | 1/2                  | 13.0     | 19.2      | 36   | 16.5 |      |     |       |

Conductor section: 0.5-2.5mm<sup>2</sup> (A.W.G 16 ~ 14) I<sub>max</sub>= 27A Material: Copper Thickness: 0.8mm

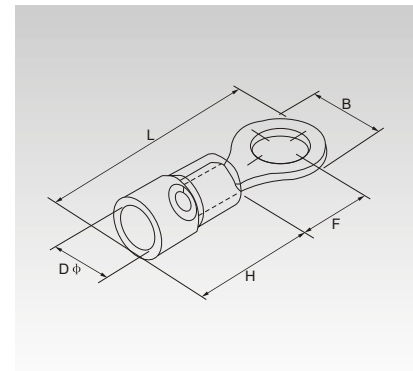
| BEISIT NO. | TYPE      | American Bolt number | d2φ (mm) | DIMENSION |      |      |      |     | color |
|------------|-----------|----------------------|----------|-----------|------|------|------|-----|-------|
|            |           |                      |          | B         | L    | F    | H    | Dφ  |       |
| BT012-218  | FM 2-3    | # 4                  | 3.2      | 6.6       | 17.5 | 4.3  | 10.0 | 4.9 | blue  |
| BT012-219  | FMS 2-3.5 | # 6                  | 3.7      | 6.6       | 17.5 | 4.3  |      |     |       |
| BT012-220  | FMM 2-3.5 | # 8                  | 3.7      | 6.6       | 21.2 | 7.0  |      |     |       |
| BT012-221  | FML 2-3.5 | # 6                  | 3.7      | 8.5       | 22   | 7.75 |      |     |       |
| BT012-222  | FMS 2-4   | # 8                  | 4.3      | 6.6       | 21.2 | 7.0  |      |     |       |
| BT012-223  | FML 2-4   | # 8                  | 4.3      | 8.5       | 22   | 7.75 |      |     |       |
| BT012-224  | FMS 2-5   | # 10                 | 5.3      | 8.5       | 22   | 7.75 |      |     |       |
| BT012-225  | FML 2-5   | # 10                 | 5.3      | 9.5       | 22   | 7.25 |      |     |       |
| BT012-226  | FMS 2-6   | 1/4                  | 6.4      | 12.0      | 27   | 11.0 |      |     |       |
| BT012-227  | FM 2-8    | 5/16                 | 8.4      | 12.0      | 27   | 11.0 |      |     |       |
| BT012-228  | FM 2-10   | 3/8                  | 10.5     | 13.6      | 30.7 | 13.9 |      |     |       |
| BT012-229  | FM 2-12   | 1/2                  | 13.0     | 19.2      | 36.2 | 16.5 |      |     |       |

Conductor section: 2.5-4mm<sup>2</sup> (A.W.G 14 ~ 12) I<sub>max</sub>= 37A Material: Copper Thickness: 1.0mm

| BEISIT NO. | TYPE      | American Bolt number | d2φ (mm) | DIMENSION |      |     |      |     | color |
|------------|-----------|----------------------|----------|-----------|------|-----|------|-----|-------|
|            |           |                      |          | B         | L    | F   | H    | Dφ  |       |
| BT012-230  | FM 3.5-4  | # 8                  | 4.3      | 8.0       | 24.5 | 7.7 | 13.0 | 6.2 | black |
| BT012-231  | FMS 3.5-5 | # 10                 | 5.3      | 8.0       | 24.5 | 7.7 |      |     |       |
| BT012-232  | FML 3.5-5 | # 10                 | 5.3      | 12.0      | 27.9 | 7.7 |      |     |       |
| BT012-233  | FM 3.5-6  | 1/4                  | 6.4      | 12.0      | 27.9 | 7.7 |      |     |       |

Conductor section: 4-6mm<sup>2</sup> (A.W.G 12 ~ 10) I<sub>max</sub>= 48A Material: Copper Thickness: 1.0mm

| BEISIT NO. | TYPE       | American Bolt number | d2φ (mm) | DIMENSION |       |      |      |     | color  |
|------------|------------|----------------------|----------|-----------|-------|------|------|-----|--------|
|            |            |                      |          | B         | L     | F    | H    | Dφ  |        |
| BT012-234  | FM 5.5-3.5 | # 6                  | 3.7      | 7.2       | 21.7  | 5.3  | 13.0 | 6.7 | yellow |
| BT012-235  | FMS 5.5-4  | # 8                  | 4.3      | 7.2       | 21.7  | 5.3  |      |     |        |
| BT012-236  | FML 5.5-4  | # 8                  | 4.3      | 9.5       | 25.8  | 8.25 |      |     |        |
| BT012-237  | FM 5.5-5   | # 10                 | 5.3      | 9.5       | 25.8  | 8.25 |      |     |        |
| BT012-238  | FMS 5.5-6  | 1/4                  | 6.4      | 12.0      | 29.35 | 10.7 |      |     |        |
| BT012-239  | FML 5.5-6  | 1/4                  | 6.4      | 12.0      | 31.8  | 13   |      |     |        |
| BT012-240  | FM 5.5-8   | 5/16                 | 8.4      | 15.0      | 34    | 13.7 |      |     |        |
| BT012-241  | FM 5.5-10  | 3/8                  | 10.5     | 15.0      | 34    | 13.7 |      |     |        |
| BT012-242  | FM 5.5-12  | 1/2                  | 13.0     | 19.2      | 38.4  | 16   |      |     |        |



Conductor section: 0.5-1.5mm<sup>2</sup> (A.W.G 22 ~ 16) I<sub>max</sub>= 19A Material: Copper Thickness: 0.7mm

| BEISIT NO. | TYPE          | American Bolt number | d2φ (mm) | DIMENSION |      |      |     |     |     |
|------------|---------------|----------------------|----------|-----------|------|------|-----|-----|-----|
|            |               |                      |          | B         | L    | F    | E   | Dφ  | dφ  |
| BT012-243  | FNB 1.25-3    | # 4                  | 3.2      | 5.7       | 12.6 | 4.95 | 4.8 | 3.4 | 1.7 |
| BT012-244  | FNBS 1.25-3.5 | # 6                  | 3.7      | 5.7       | 12.6 | 4.95 |     |     |     |
| BT012-245  | FNBM 1.25-3.5 | # 6                  | 3.7      | 6.6       | 14.4 | 6.3  |     |     |     |
| BT012-246  | FNBL 1.25-3.5 | # 6                  | 3.7      | 8.0       | 15.8 | 7.0  |     |     |     |
| BT012-247  | FNBS 1.25-4   | # 8                  | 4.3      | 6.6       | 14.4 | 6.3  |     |     |     |
| BT012-248  | FNBL 1.25-4   | # 8                  | 4.3      | 8.0       | 15.8 | 7.0  |     |     |     |
| BT012-249  | FNBS 1.25-5   | # 10                 | 5.3      | 8.0       | 15.8 | 7.0  |     |     |     |
| BT012-250  | FNBL 1.25-5   | # 10                 | 5.3      | 9.8       | 18.0 | 8.3  |     |     |     |
| BT012-251  | FNBS 1.25-6   | 1/4                  | 6.4      | 9.8       | 18.8 | 8.3  |     |     |     |
| BT012-252  | FNBL 1.25-6   | 1/4                  | 6.4      | 11.6      | 21.8 | 11.2 |     |     |     |
| BT012-253  | FNB 1.25-8    | 5/16                 | 8.4      | 11.6      | 21.8 | 11.2 |     |     |     |
| BT012-254  | FNB 1.25-10   | 3/8                  | 10.5     | 13.6      | 25.5 | 13.9 |     |     |     |
| BT012-255  | FNB 1.25-12   | 1/2                  | 13.0     | 19.2      | 31.0 | 16.5 |     |     |     |



Conductor section: 1.5-2.5mm<sup>2</sup> (A.W.G 16 ~ 14) I<sub>max</sub>= 27A Material: Copper Thickness: 0.8mm

| BEISIT NO. | TYPE       | American Bolt number | d2φ (mm) | DIMENSION |      |      |     |     |     |
|------------|------------|----------------------|----------|-----------|------|------|-----|-----|-----|
|            |            |                      |          | B         | L    | F    | E   | Dφ  | dφ  |
| BT012-256  | FNB 2-3    | # 4                  | 3.2      | 6.6       | 12.3 | 4.2  | 4.8 | 4.1 | 2.3 |
| BT012-257  | FNBS 2-3.5 | # 6                  | 3.7      | 6.6       | 12.3 | 4.2  |     |     |     |
| BT012-258  | FNBM 2-3.5 | # 6                  | 3.7      | 6.6       | 16.0 | 7.9  |     |     |     |
| BT012-259  | FNBL 2-3.5 | # 6                  | 3.7      | 8.5       | 16.8 | 7.75 |     |     |     |
| BT012-260  | FNBS 2-4   | # 8                  | 4.3      | 6.6       | 16.0 | 7.9  |     |     |     |
| BT012-261  | FNBL 2-4   | # 8                  | 4.3      | 8.5       | 16.8 | 7.75 |     |     |     |
| BT012-262  | FNBS 2-5   | # 10                 | 5.3      | 8.5       | 16.8 | 7.75 |     |     |     |
| BT012-263  | FNBL 2-5   | # 10                 | 5.3      | 9.5       | 16.8 | 7.25 |     |     |     |
| BT012-264  | FNB 2-6    | 1/4                  | 6.4      | 12.0      | 21.8 | 11.0 |     |     |     |
| BT012-265  | FNB 2-8    | 5/16                 | 8.4      | 12.0      | 21.8 | 11.0 |     |     |     |
| BT012-266  | FNB 2-10   | 3/8                  | 10.5     | 13.6      | 25.5 | 13.9 |     |     |     |
| BT012-267  | FNB 2-12   | 1/2                  | 13.0     | 19.2      | 31.0 | 16.5 |     |     |     |

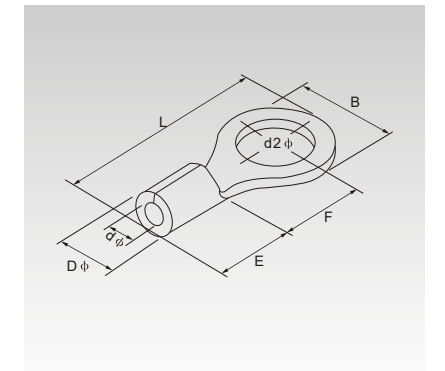


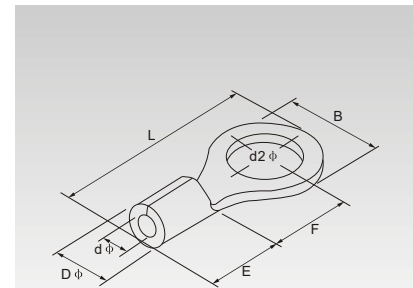
Conductor section: 2.5-4mm<sup>2</sup> (A.W.G 14 ~ 12) I<sub>max</sub>= 37A Material: Copper Thickness: 1.0mm

| BEISIT NO. | TYPE       | American Bolt number | d2φ (mm) | DIMENSION |      |     |     |     |     |
|------------|------------|----------------------|----------|-----------|------|-----|-----|-----|-----|
|            |            |                      |          | B         | L    | F   | E   | Dφ  | dφ  |
| BT012-268  | FNB 3.5-4  | # 8                  | 4.3      | 8.0       | 18.0 | 7.7 | 6.0 | 5.0 | 3.0 |
| BT012-269  | FNBS 3.5-5 | # 10                 | 5.3      | 8.0       | 18.0 | 7.7 |     |     |     |
| BT012-270  | FNBL 3.5-5 | # 10                 | 5.3      | 12.0      | 21.4 | 7.7 |     |     |     |
| BT012-271  | FNB 3.5-6  | 1/4                  | 6.4      | 12.0      | 21.4 | 7.7 |     |     |     |

Conductor section: 4-6mm<sup>2</sup> (A.W.G 12 ~ 10) I<sub>max</sub>= 48A Material: Copper Thickness: 1.0mm

| BEISIT NO. | TYPE        | American Bolt number | d2φ (mm) | DIMENSION |       |      |     |     |     |
|------------|-------------|----------------------|----------|-----------|-------|------|-----|-----|-----|
|            |             |                      |          | B         | L     | F    | E   | Dφ  | dφ  |
| BT012-272  | FNB 5.5-3.5 | # 6                  | 3.7      | 7.2       | 15.7  | 5.3  | 6.8 | 5.6 | 3.4 |
| BT012-273  | FNBS 5.5-4  | # 8                  | 4.3      | 7.2       | 15.7  | 5.3  |     |     |     |
| BT012-274  | FNBL 5.5-4  | # 8                  | 4.3      | 9.5       | 19.8  | 8.25 |     |     |     |
| BT012-275  | FNB 5.5-5   | # 10                 | 5.3      | 9.5       | 19.8  | 8.25 |     |     |     |
| BT012-276  | FNBS 5.5-6  | 1/4                  | 6.4      | 12.0      | 23.35 | 10.7 |     |     |     |
| BT012-277  | FNBL 5.5-6  | 1/4                  | 6.4      | 12.0      | 25.8  | 13.0 |     |     |     |
| BT012-278  | FNB 5.5-8   | 5/16                 | 8.4      | 15.0      | 28.0  | 13.7 |     |     |     |
| BT012-279  | FNB 5.5-10  | 3/8                  | 10.5     | 15.0      | 28.0  | 13.7 |     |     |     |
| BT012-280  | FNB 5.5-12  | 1/2                  | 13.0     | 19.2      | 32.4  | 16.0 |     |     |     |





Conductor section: 6-10mm<sup>2</sup> (A.W.G#8) I<sub>max</sub>= 62A Material: Copper Thickness: 1.2mm

| BEISIT NO. | TYPE     | American Bolt number | d2φ (mm) | DIMENSION |      |      |     |     |     |
|------------|----------|----------------------|----------|-----------|------|------|-----|-----|-----|
|            |          |                      |          | B         | L    | F    | E   | Dφ  | dφ  |
| BT012-281  | FNB 8-4  | # 8                  | 4.3      | 8.8       | 23.8 | 9.3  | 8.5 | 7.2 | 4.5 |
| BT012-282  | FNBS 8-5 | # 10                 | 5.3      | 8.8       | 23.8 | 11.1 |     |     |     |
| BT012-283  | FNBM 8-5 | # 10                 | 5.3      | 12.0      | 23.8 | 9.3  |     |     |     |
| BT012-284  | FNBL 8-5 | # 10                 | 5.3      | 15.0      | 29.8 | 13.8 |     |     |     |
| BT012-285  | FNBS 8-6 | 1/4                  | 6.4      | 12.0      | 23.8 | 9.3  |     |     |     |
| BT012-286  | FNBL 8-6 | 1/4                  | 6.4      | 15.0      | 29.8 | 13.8 |     |     |     |
| BT012-287  | FNB 8-8  | 5/16                 | 8.4      | 15.0      | 29.8 | 13.8 |     |     |     |
| BT012-288  | FNB 8-10 | 3/8                  | 10.5     | 15.0      | 29.8 | 13.8 |     |     |     |
| BT012-289  | FNB 8-12 | 1/2                  | 13.0     | 20.0      | 33.5 | 15.0 |     |     |     |

Conductor section: 10-16mm<sup>2</sup> (A.W.G#6) I<sub>max</sub>= 88A Material: Copper Thickness: 1.4mm

| BEISIT NO. | TYPE      | American Bolt number | d2φ (mm) | DIMENSION |      |      |      |     |     |
|------------|-----------|----------------------|----------|-----------|------|------|------|-----|-----|
|            |           |                      |          | B         | L    | F    | E    | Dφ  | dφ  |
| BT012-290  | FNB 14-4  | # 8                  | 4.3      | 12.0      | 29.8 | 13.3 | 10.5 | 9.5 | 5.8 |
| BT012-291  | FNB 14-5  | # 10                 | 5.3      | 12.0      | 29.8 | 13.3 |      |     |     |
| BT012-292  | FNBS 14-6 | 1/4                  | 6.4      | 12.0      | 29.8 | 13.3 |      |     |     |
| BT012-293  | FNBL 14-6 | 1/4                  | 6.4      | 16.0      | 32.8 | 13.3 |      |     |     |
| BT012-294  | FNB 14-8  | 5/16                 | 8.4      | 16.0      | 31.8 | 13.3 |      |     |     |
| BT012-295  | FNB 14-10 | 3/8                  | 10.5     | 16.0      | 31.8 | 13.3 |      |     |     |
| BT012-296  | FNB 14-12 | 1/2                  | 13.0     | 22.0      | 41.0 | 19.5 |      |     |     |

Conductor section: 16-25mm<sup>2</sup> (A.W.G#4) I<sub>max</sub>= 115A Material: Copper Thickness: 1.8mm

| BEISIT NO. | TYPE      | American Bolt number | d2φ (mm) | DIMENSION |      |      |      |      |     |
|------------|-----------|----------------------|----------|-----------|------|------|------|------|-----|
|            |           |                      |          | B         | L    | F    | E    | Dφ   | dφ  |
| BT012-297  | FNBS 22-5 | # 10                 | 4.3      | 12.2      | 33.2 | 15.1 | 12.0 | 11.5 | 7.7 |
| BT012-298  | FNBL 22-5 | # 10                 | 5.3      | 16.5      | 33.7 | 13.5 |      |      |     |
| BT012-299  | FNBS 22-6 | 1/4                  | 6.4      | 12.2      | 33.2 | 15.1 |      |      |     |
| BT012-300  | FNBL 22-6 | 1/4                  | 6.4      | 16.5      | 33.7 | 13.5 |      |      |     |
| BT012-301  | FNB 22-8  | 5/16                 | 8.4      | 16.5      | 33.7 | 13.5 |      |      |     |
| BT012-302  | FNB 22-10 | 3/8                  | 10.5     | 16.5      | 33.7 | 13.5 |      |      |     |
| BT012-303  | FNB 22-11 | 7/16                 | 11.5     | 22.0      | 42.5 | 19.5 |      |      |     |
| BT012-304  | FNB 22-12 | 1/2                  | 13.0     | 22.0      | 42.5 | 19.5 |      |      |     |

Conductor section: 35-50mm<sup>2</sup> (A.W.G#2) I<sub>max</sub>= 160A Material: Copper Thickness: 1.8mm

| BEISIT NO. | TYPE       | American Bolt number | d2φ (mm) | DIMENSION |      |      |      |      |     |
|------------|------------|----------------------|----------|-----------|------|------|------|------|-----|
|            |            |                      |          | B         | L    | F    | E    | Dφ   | dφ  |
| BT012-305  | FNB 38-5   | # 10                 | 5.3      | 15.3      | 39.0 | 17.4 | 14.0 | 13.3 | 9.4 |
| BT012-306  | FNB 38-6   | 1/4                  | 6.4      | 15.3      | 39.0 | 17.4 |      |      |     |
| BT012-307  | FNBS 38-8  | 5/16                 | 8.4      | 15.3      | 39.0 | 17.4 |      |      |     |
| BT012-308  | FNBL 38-8  | 5/16                 | 8.4      | 22.0      | 42.7 | 17.7 |      |      |     |
| BT012-309  | FNBS 38-10 | 3/8                  | 10.5     | 15.3      | 39.0 | 17.4 |      |      |     |
| BT012-310  | FNBL 38-10 | 3/8                  | 10.5     | 22.0      | 42.7 | 17.7 |      |      |     |
| BT012-311  | FNB 38-11  | 7/16                 | 11.5     | 22.0      | 42.7 | 17.7 |      |      |     |
| BT012-312  | FNB 38-12  | 1/2                  | 13.0     | 22.0      | 42.7 | 17.7 |      |      |     |



Conductor section: 50-70mm<sup>2</sup> (A.W.G#1/0) I<sub>max</sub>= 215A Material: Copper Thickness: 1.8mm

| BEISIT NO. | TYPE      | American Bolt number | d2φ (mm) | DIMENSION |      |      |      |      |      |
|------------|-----------|----------------------|----------|-----------|------|------|------|------|------|
|            |           |                      |          | B         | L    | F    | E    | Dφ   | dφ   |
| BT012-313  | FNB 60-6  | 1/4                  | 6.4      | 22.0      | 49.7 | 20.7 | 18.0 | 15.4 | 11.4 |
| BT012-314  | FNB 60-8  | 5/16                 | 8.4      |           |      |      |      |      |      |
| BT012-315  | FNB 60-10 | 3/8                  | 10.5     |           |      |      |      |      |      |
| BT012-316  | FNB 60-11 | 7/16                 | 11.5     |           |      |      |      |      |      |
| BT012-317  | FNB 60-12 | 1/2                  | 13.0     |           |      |      |      |      |      |
| BT012-318  | FNB 60-14 | 9/16                 | 15.0     |           |      |      |      |      |      |
| BT012-319  | FNB 60-16 | 5/8                  | 17.0     |           |      |      |      |      |      |
| BT012-320  | FNB 60-18 | 11/16                | 19.0     |           |      |      |      |      |      |
| BT012-321  | FNB 60-20 | 3/4                  | 21.0     |           |      |      |      |      |      |
| BT012-322  | FNB 60-22 | 7/8                  | 23.0     |           |      |      |      |      |      |

Conductor section: 70-95mm<sup>2</sup> (A.W.G#2/0) I<sub>max</sub>= 235A Material: Copper Thickness: 2.0mm

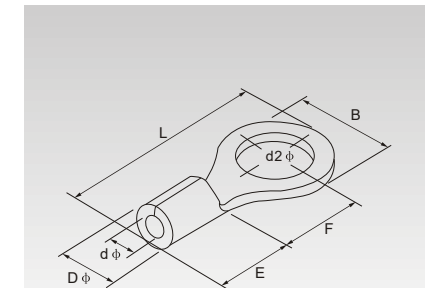
| BEISIT NO. | TYPE      | American Bolt number | d2φ (mm) | DIMENSION |      |      |      |      |      |
|------------|-----------|----------------------|----------|-----------|------|------|------|------|------|
|            |           |                      |          | B         | L    | F    | E    | Dφ   | dφ   |
| BT012-323  | FNB 70-6  | 1/4                  | 6.4      | 24.0      | 51.0 | 20.0 | 19.0 | 17.5 | 13.3 |
| BT012-324  | FNB 70-8  | 5/16                 | 8.4      |           |      |      |      |      |      |
| BT012-325  | FNB 70-10 | 3/8                  | 10.5     |           |      |      |      |      |      |
| BT012-326  | FNB 70-11 | 7/16                 | 11.5     |           |      |      |      |      |      |
| BT012-327  | FNB 70-12 | 1/2                  | 13.0     |           |      |      |      |      |      |
| BT012-328  | FNB 70-14 | 9/16                 | 15.0     |           |      |      |      |      |      |
| BT012-329  | FNB 70-16 | 5/8                  | 17.0     |           |      |      |      |      |      |
| BT012-330  | FNB 70-18 | 11/16                | 19.0     |           |      |      |      |      |      |
| BT012-331  | FNB 70-20 | 3/4                  | 21.0     |           |      |      |      |      |      |
| BT012-332  | FNB 70-22 | 7/8                  | 23.0     |           |      |      |      |      |      |

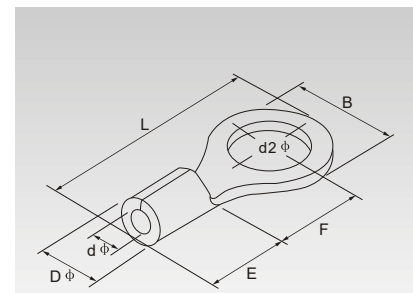
Conductor section: 95-120mm<sup>2</sup> (A.W.G#3/0) I<sub>max</sub>= 255A Material: Copper Thickness: 2.2mm

| BEISIT NO. | TYPE      | American Bolt number | d2φ (mm) | DIMENSION |      |      |      |      |      |
|------------|-----------|----------------------|----------|-----------|------|------|------|------|------|
|            |           |                      |          | B         | L    | F    | E    | Dφ   | dφ   |
| BT012-333  | FNB 80-6  | 1/4                  | 6.4      | 27.0      | 54.2 | 20.7 | 20.0 | 19.5 | 14.5 |
| BT012-334  | FNB 80-8  | 5/16                 | 8.4      |           |      |      |      |      |      |
| BT012-335  | FNB 80-10 | 3/8                  | 10.5     |           |      |      |      |      |      |
| BT012-336  | FNB 80-11 | 7/16                 | 11.5     |           |      |      |      |      |      |
| BT012-337  | FNB 80-12 | 1/2                  | 13.0     |           |      |      |      |      |      |
| BT012-338  | FNB 80-14 | 9/16                 | 15.0     |           |      |      |      |      |      |
| BT012-339  | FNB 80-16 | 5/8                  | 17.0     |           |      |      |      |      |      |
| BT012-340  | FNB 80-18 | 11/16                | 19.0     |           |      |      |      |      |      |
| BT012-341  | FNB 80-20 | 3/4                  | 21.0     |           |      |      |      |      |      |
| BT012-342  | FNB 80-22 | 7/8                  | 23.0     |           |      |      |      |      |      |

Conductor section: 120-150mm<sup>2</sup> (A.W.G#4/0) I<sub>max</sub>= 300A Material: Copper Thickness: 2.5mm

| BEISIT NO. | TYPE       | American Bolt number | d2φ (mm) | DIMENSION |      |      |      |      |      |
|------------|------------|----------------------|----------|-----------|------|------|------|------|------|
|            |            |                      |          | B         | L    | F    | E    | Dφ   | dφ   |
| BT012-343  | FNB 100-6  | 1/4                  | 6.4      | 28.5      | 55.6 | 20.4 | 21.0 | 22.1 | 16.4 |
| BT012-344  | FNB 100-8  | 5/16                 | 8.4      |           |      |      |      |      |      |
| BT012-345  | FNB 100-10 | 3/8                  | 10.5     |           |      |      |      |      |      |
| BT012-346  | FNB 100-11 | 7/16                 | 11.5     |           |      |      |      |      |      |
| BT012-347  | FNB 100-12 | 1/2                  | 13.0     |           |      |      |      |      |      |
| BT012-348  | FNB 100-14 | 9/16                 | 15.0     |           |      |      |      |      |      |
| BT012-349  | FNB 100-16 | 5/8                  | 17.0     |           |      |      |      |      |      |
| BT012-350  | FNB 100-18 | 11/16                | 19.0     |           |      |      |      |      |      |
| BT012-351  | FNB 100-20 | 3/4                  | 21.0     |           |      |      |      |      |      |
| BT012-352  | FNB 100-22 | 7/8                  | 23.0     |           |      |      |      |      |      |





Conductor section: 150-185mm<sup>2</sup>(A.W.G250/300MCB)Imax= 395A Material: Copper Thickness:3.2mm

| BEIST NO. | TYPE      | American Bolt number | d2φ (mm) | DIMENSION |      |      |      |      | Dφ   | dφ |
|-----------|-----------|----------------------|----------|-----------|------|------|------|------|------|----|
|           |           |                      |          | B         | L    | F    | E    |      |      |    |
| BT012-353 | FNB150-8  | 5/16                 | 8.4      | 36.0      | 66.0 | 23.0 | 27.0 | 26.6 | 19.5 |    |
| BT012-354 | FNB150-10 | 3/8                  | 10.5     |           |      |      |      |      |      |    |
| BT012-355 | FNB150-11 | 7/16                 | 11.5     |           |      |      |      |      |      |    |
| BT012-356 | FNB150-12 | 1/2                  | 13.0     |           |      |      |      |      |      |    |
| BT012-357 | FNB150-14 | 9/16                 | 15.0     |           |      |      |      |      |      |    |
| BT012-358 | FNB150-16 | 5/8                  | 17.0     |           |      |      |      |      |      |    |
| BT012-359 | FNB150-18 | 11/16                | 19.0     | 36.0      | 81.0 | 36.0 | 27.0 | 26.6 | 19.5 |    |
| BT012-360 | FNB150-20 | 3/4                  | 21.0     |           |      |      |      |      |      |    |
| BT012-361 | FNB150-22 | 7/8                  | 23.0     |           |      |      |      |      |      |    |
| BT012-362 | FNB150-24 | 15/16                | 25.0     |           |      |      |      |      |      |    |
| BT012-363 | FNB150-27 | 1                    | 28.0     |           |      |      |      |      |      |    |

Conductor section: 185-240mm<sup>2</sup>(A.W.G300/350MCB)Imax= 440A Material: Copper Thickness:3.5mm

| BEIST NO. | TYPE      | American Bolt number | d2φ (mm) | DIMENSION |      |      |      |      | Dφ   | dφ |
|-----------|-----------|----------------------|----------|-----------|------|------|------|------|------|----|
|           |           |                      |          | B         | L    | F    | E    |      |      |    |
| BT012-364 | FNB180-8  | 5/16                 | 8.4      | 38.5      | 69.0 | 24.5 | 28.5 | 28.6 | 21.0 |    |
| BT012-365 | FNB180-10 | 3/8                  | 10.5     |           |      |      |      |      |      |    |
| BT012-366 | FNB180-11 | 7/16                 | 11.5     |           |      |      |      |      |      |    |
| BT012-367 | FNB180-12 | 1/2                  | 13.0     |           |      |      |      |      |      |    |
| BT012-368 | FNB180-14 | 9/16                 | 15.0     |           |      |      |      |      |      |    |
| BT012-369 | FNB180-16 | 5/8                  | 17.0     |           |      |      |      |      |      |    |
| BT012-370 | FNB180-18 | 11/16                | 19.0     | 38.5      | 86.6 | 39.5 | 28.5 | 28.6 | 21.0 |    |
| BT012-371 | FNB180-20 | 3/4                  | 21.0     |           |      |      |      |      |      |    |
| BT012-372 | FNB180-22 | 7/8                  | 23.0     |           |      |      |      |      |      |    |
| BT012-373 | FNB180-24 | 15/16                | 25.0     |           |      |      |      |      |      |    |
| BT012-374 | FNB180-27 | 1                    | 28.0     |           |      |      |      |      |      |    |

Conductor section: 240-300mm<sup>2</sup>(A.W.G400/500MCB)Imax= 470A Material: Copper Thickness:3.9mm

| BEIST NO. | TYPE      | American Bolt number | d2φ (mm) | DIMENSION |      |      |      |      | Dφ   | dφ |
|-----------|-----------|----------------------|----------|-----------|------|------|------|------|------|----|
|           |           |                      |          | B         | L    | F    | E    |      |      |    |
| BT012-375 | FNB200-8  | 5/16                 | 8.4      | 44.0      | 72.0 | 24.5 | 31.5 | 32.6 | 24.0 |    |
| BT012-376 | FNB200-10 | 3/8                  | 10.5     |           |      |      |      |      |      |    |
| BT012-377 | FNB200-11 | 7/16                 | 11.5     |           |      |      |      |      |      |    |
| BT012-378 | FNB200-12 | 1/2                  | 13.0     |           |      |      |      |      |      |    |
| BT012-379 | FNB200-14 | 9/16                 | 15.0     |           |      |      |      |      |      |    |
| BT012-380 | FNB200-16 | 5/8                  | 17.0     |           |      |      |      |      |      |    |
| BT012-381 | FNB200-18 | 11/16                | 19.0     | 44.0      | 91.0 | 37.5 | 31.5 | 32.6 | 24.0 |    |
| BT012-382 | FNB200-20 | 3/4                  | 21.0     |           |      |      |      |      |      |    |
| BT012-383 | FNB200-22 | 7/8                  | 23.0     |           |      |      |      |      |      |    |
| BT012-384 | FNB200-24 | 15/16                | 25.0     |           |      |      |      |      |      |    |
| BT012-385 | FNB200-27 | 1                    | 28.0     |           |      |      |      |      |      |    |

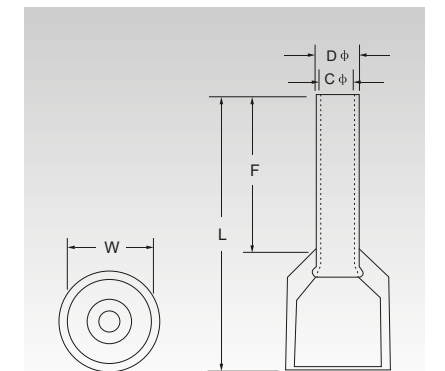
Conductor section: 300-400mm<sup>2</sup>(A.W.G500/600MCB)Imax= 650A Material: Copper Thickness:4.2mm

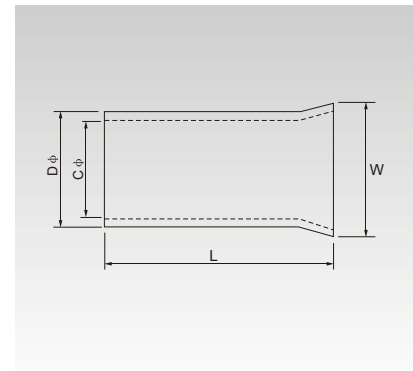
| BEIST NO. | TYPE      | American Bolt number | d2φ (mm) | DIMENSION |       |      |      |      | Dφ   | dφ |
|-----------|-----------|----------------------|----------|-----------|-------|------|------|------|------|----|
|           |           |                      |          | B         | L     | F    | E    |      |      |    |
| BT012-386 | FNB325-8  | 5/16                 | 8.4      | 50.5      | 88.0  | 33.5 | 35.5 | 37.1 | 28.0 |    |
| BT012-387 | FNB325-10 | 3/8                  | 10.5     |           |       |      |      |      |      |    |
| BT012-388 | FNB325-11 | 7/16                 | 11.5     |           |       |      |      |      |      |    |
| BT012-389 | FNB325-12 | 1/2                  | 13.0     |           |       |      |      |      |      |    |
| BT012-390 | FNB325-14 | 9/16                 | 15.0     |           |       |      |      |      |      |    |
| BT012-391 | FNB325-16 | 5/8                  | 17.0     |           |       |      |      |      |      |    |
| BT012-392 | FNB325-18 | 11/16                | 19.0     | 50.5      | 105.7 | 45.0 | 35.5 | 37.1 | 28.0 |    |
| BT012-393 | FNB325-20 | 3/4                  | 21.0     |           |       |      |      |      |      |    |
| BT012-394 | FNB325-22 | 7/8                  | 23.0     |           |       |      |      |      |      |    |
| BT012-395 | FNB325-24 | 15/16                | 25.0     |           |       |      |      |      |      |    |
| BT012-396 | FNB325-27 | 1                    | 28.0     |           |       |      |      |      |      |    |



Umax:105℃ Ui= 300V Material: Copper Pipe Insulating Material: Nylon(多種顏色)

| BEIST NO. | TYPE    | DIMENSION |      |      |     |     | A.W.G | mm <sup>2</sup> | Color of insulation sheath(Top)Germany (Bottom)France |
|-----------|---------|-----------|------|------|-----|-----|-------|-----------------|---|
|           |         | F         | L    | W    | Dφ  | Cφ  |       |                 |   |
| BT012-397 | E 0506  | 6.0       | 12.0 | 2.6  | 1.3 | 1.0 | # 22  | 0.5             | Orange white  |
| BT012-398 | E 0508  | 8.0       | 14.0 |      |     |     |       |                 |   |
| BT012-399 | E 0510  | 10.0      | 16.0 |      |     |     |       |                 |   |
| BT012-400 | E 0512  | 12.0      | 18.0 |      |     |     |       |                 |   |
| BT012-401 | E 7506  | 6.0       | 12.4 |      |     |     |       |                 |   |
| BT012-402 | E 7508  | 8.0       | 14.6 |      |     |     |       |                 |   |
| BT012-403 | E 7510  | 10.0      | 16.4 | 2.8  | 1.5 | 1.2 | # 20  | 0.75            | white blue  |
| BT012-404 | E 7512  | 12.0      | 18.4 |      |     |     |       |                 |   |
| BT012-405 | E 1006  | 6.0       | 12.4 |      |     |     |       |                 |   |
| BT012-406 | E 1008  | 8.0       | 14.6 |      |     |     |       |                 |   |
| BT012-407 | E 1010  | 10.0      | 16.4 |      |     |     |       |                 |   |
| BT012-408 | E 1012  | 12.0      | 18.4 |      |     |     |       |                 |   |
| BT012-409 | E 1508  | 8.0       | 14.6 | 3.5  | 2.0 | 1.7 | # 16  | 1.5             | red black   |
| BT012-410 | E 1510  | 10.0      | 16.4 |      |     |     |       |                 |   |
| BT012-411 | E 1512  | 12.0      | 18.4 |      |     |     |       |                 |   |
| BT012-412 | E 1518  | 18.0      | 24.4 |      |     |     |       |                 |   |
| BT012-413 | E 2508  | 8.0       | 15.2 |      |     |     |       |                 |   |
| BT012-414 | E 2510  | 10.0      | 17.2 |      |     |     |       |                 |   |
| BT012-415 | E 2512  | 12.0      | 19.2 | 4.0  | 2.6 | 2.3 | # 14  | 2.5             | blue gray   |
| BT012-416 | E 2518  | 18.0      | 25.2 |      |     |     |       |                 |   |
| BT012-417 | E 4009  | 9.0       | 16.5 |      |     |     |       |                 |   |
| BT012-418 | E 4012  | 12.0      | 19.5 |      |     |     |       |                 |   |
| BT012-419 | E 4018  | 18.0      | 25.5 |      |     |     |       |                 |   |
| BT012-420 | E 6010  | 10.0      | 18.0 |      |     |     |       |                 |   |
| BT012-421 | E 6012  | 12.0      | 20.0 | 6.3  | 3.9 | 3.5 | # 10  | 6.0             | black green   |
| BT012-422 | E 6018  | 18.0      | 26.0 |      |     |     |       |                 |   |
| BT012-423 | E 10-12 | 12.0      | 21.5 |      |     |     |       |                 |   |
| BT012-424 | E 10-18 | 18.0      | 27.5 |      |     |     |       |                 |   |
| BT012-425 | E 16-12 | 12.0      | 22.2 |      |     |     |       |                 |   |
| BT012-426 | E 16-18 | 18.0      | 28.2 |      |     |     |       |                 |   |
| BT012-427 | E 25-16 | 16.0      | 29.0 | 11.2 | 7.9 | 7.5 | # 4   | 25.0            | brown black   |
| BT012-428 | E 25-22 | 22.0      | 35.0 |      |     |     |       |                 |   |
| BT012-429 | E 35-16 | 16.0      | 30.0 |      |     |     |       |                 |   |
| BT012-430 | E 35-25 | 25.0      | 39.0 |      |     |     |       |                 |   |
| BT012-431 | E 50-20 | 20.0      | 36.0 |      |     |     |       |                 |   |
| BT012-432 | E 50-25 | 25.0      | 41.0 |      |     |     |       |                 |   |





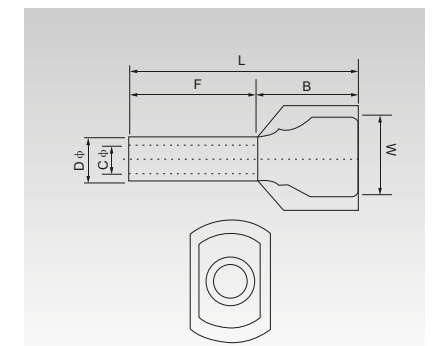
Umax:1 Ui= 300V Material:CopperPipe

| BEISIT NO. | TYPE     | DIMENSION |          |          |         | A.W.G | Conductor section mm <sup>2</sup> |
|------------|----------|-----------|----------|----------|---------|-------|-----------------------------------|
|            |          | L<br>mm   | Dφ<br>mm | Cφ<br>mm | W<br>mm |       |                                   |
| BT012-433  | EN 0506  | 6.0       |          |          |         |       |                                   |
| BT012-434  | EN 0508  | 8.0       |          |          |         |       |                                   |
| BT012-435  | EN 0510  | 10.0      | 1.3      | 1.0      | 1.7     | # 22  | 0.5                               |
| BT012-436  | EN 0512  | 12.0      |          |          |         |       |                                   |
| BT012-437  | EN 7506  | 6.0       |          |          |         |       |                                   |
| BT012-438  | EN 7508  | 8.0       | 1.5      | 1.2      | 1.9     | # 20  | 0.75                              |
| BT012-439  | EN 7510  | 10.0      |          |          |         |       |                                   |
| BT012-440  | EN 7512  | 12.0      |          |          |         |       |                                   |
| BT012-441  | EN 1006  | 6.0       |          |          |         |       |                                   |
| BT012-442  | EN 1008  | 8.0       |          |          |         |       |                                   |
| BT012-443  | EN 1010  | 10.0      | 1.8      | 1.4      | 2.2     | # 18  | 1.0                               |
| BT012-444  | EN 1012  | 12.0      |          |          |         |       |                                   |
| BT012-445  | EN 1507  | 7.0       |          |          |         |       |                                   |
| BT012-446  | EN 1508  | 8.0       |          |          |         |       |                                   |
| BT012-447  | EN 1510  | 10.0      | 2.0      | 1.7      | 2.5     | # 16  | 1.5                               |
| BT012-448  | EN 1512  | 12.0      |          |          |         |       |                                   |
| BT012-449  | EN 1518  | 18.0      |          |          |         |       |                                   |
| BT012-450  | EN 2507  | 7.0       |          |          |         |       |                                   |
| BT012-451  | EN 2508  | 8.0       |          |          |         |       |                                   |
| BT012-452  | EN 2510  | 10.0      | 2.6      | 2.2      | 3.3     | # 14  | 2.5                               |
| BT012-453  | EN 2512  | 12.0      |          |          |         |       |                                   |
| BT012-454  | EN 2518  | 18.0      |          |          |         |       |                                   |
| BT012-455  | EN 4009  | 9.0       |          |          |         |       |                                   |
| BT012-456  | EN 4012  | 12.0      | 3.2      | 2.8      | 3.9     | # 12  | 4.0                               |
| BT012-457  | EN 4018  | 18.0      |          |          |         |       |                                   |
| BT012-458  | EN 6010  | 10.0      |          |          |         |       |                                   |
| BT012-459  | EN 6012  | 12.0      |          |          |         |       |                                   |
| BT012-460  | EN 6015  | 15.0      | 3.9      | 3.5      | 4.8     | # 10  | 6.0                               |
| BT012-461  | EN 6018  | 18.0      |          |          |         |       |                                   |
| BT012-462  | EN 10-12 | 12.0      |          |          |         |       |                                   |
| BT012-463  | EN 10-15 | 15.0      | 4.9      | 4.5      | 5.8     | # 7   | 10.0                              |
| BT012-464  | EN 10-18 | 18.0      |          |          |         |       |                                   |
| BT012-465  | EN 16-12 | 12.0      |          |          |         |       |                                   |
| BT012-466  | EN 16-15 | 15.0      | 6.2      | 5.8      | 7.2     | # 5   | 16.0                              |
| BT012-467  | EN 16-18 | 18.0      |          |          |         |       |                                   |
| BT012-468  | EN 25-16 | 16.0      |          |          |         |       |                                   |
| BT012-469  | EN 25-22 | 22.0      | 7.9      | 7.5      | 9.1     | # 4   | 25.0                              |
| BT012-470  | EN 35-16 | 16.0      |          |          |         |       |                                   |
| BT012-471  | EN 35-25 | 25.0      | 8.7      | 8.3      | 10.2    | # 2   | 35.0                              |
| BT012-472  | EN 50-20 | 20.0      |          |          |         |       |                                   |
| BT012-473  | EN 50-25 | 25.0      | 10.9     | 10.3     | 12.4    | # 1   | 50.0                              |



Umax:105 °C Ui= 300V Material:CopperPipe Insulating Cover Material:Nylon

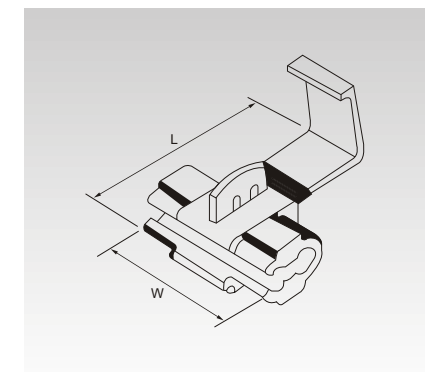
| BEISIT NO. | TYPE     | Conductor mm <sup>2</sup> | DIMENSION |         |         |         |          |          | Color  |        |
|------------|----------|---------------------------|-----------|---------|---------|---------|----------|----------|--------|--------|
|            |          |                           | F<br>mm   | L<br>mm | W<br>mm | B<br>mm | Dφ<br>mm | Cφ<br>mm | German | French |
| BT012-474  | TE 0508  | 2 × 0.5                   | 8.0       | 14.5    | 5.0     | 6.5     | 1.8      | 1.5      | White  | White  |
| BT012-475  | TE 7508  | 2 × 0.75                  | 8.0       | 14.7    | 5.5     | 6.7     | 2.1      | 1.8      | blue   | gray   |
| BT012-476  | TE 7510  | 2 × 0.75                  | 10.0      | 16.7    | 5.5     | 6.7     | 2.1      | 1.8      |        |        |
| BT012-477  | TE 1008  | 2 × 1.0                   | 8.0       | 15.1    | 5.5     | 7.1     | 2.3      | 2.0      | red    | red    |
| BT012-478  | TE 1010  | 2 × 1.0                   | 10.0      | 17.1    | 5.5     | 7.1     | 2.3      | 2.0      |        |        |
| BT012-479  | TE 1508  | 2 × 1.5                   | 8.0       | 15.5    | 6.4     | 7.2     | 2.6      | 2.3      | black  | blue   |
| BT012-480  | TE 1512  | 2 × 1.5                   | 12.0      | 19.5    | 6.4     | 7.5     | 2.6      | 2.3      |        |        |
| BT012-481  | TE 2510  | 2 × 2.5                   | 10.0      | 18.5    | 8.0     | 8.5     | 3.3      | 2.9      | gray   | blue   |
| BT012-482  | TE 2513  | 2 × 2.5                   | 13.0      | 21.5    | 8.0     | 8.5     | 3.3      | 2.9      |        |        |
| BT012-483  | TE 4012  | 2 × 4.0                   | 12.0      | 23.1    | 8.8     | 11.1    | 4.2      | 3.8      | orange | gray   |
| BT012-484  | TE 6014  | 2 × 6.0                   | 14.0      | 26.1    | 9.5     | 12.1    | 5.3      | 4.9      | green  | yellow |
| BT012-485  | TE 10-14 | 2 × 10.0                  | 14.0      | 26.6    | 12.6    | 12.0    | 6.9      | 6.5      | brown  | red    |
| BT012-486  | TE 16-14 | 2 × 16.0                  | 14.0      | 31.3    | 19.0    | 17.3    | 8.7      | 8.3      | ivory  | blue   |

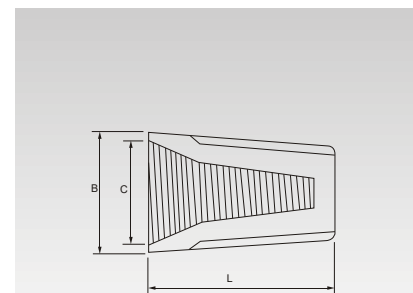
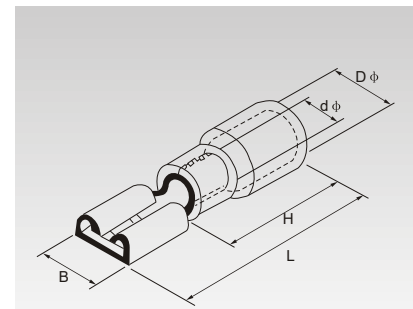


快速連接接頭  
FAST CONNECTING JOINT

1 max:22-18 A.W.G:10 18-14 A.W.G:15A 12-10A.W.G24A  
Umax:105 °C Ui= 600V Material:brass Insulating Material:PP

| BEISIT NO. | TYPE   | DIMENSION |         | A.W.G<br>mm <sup>2</sup>              | Color  |
|------------|--------|-----------|---------|---------------------------------------|--------|
|            |        | W<br>mm   | L<br>mm |                                       |        |
| BT012-487  | 878100 | 20.0      | 27.0    | 22-18A.W.G<br>0.5-1.0mm <sup>2</sup>  | red    |
| BT012-488  | 878101 | 20.0      | 27.0    | 18-14A.W.G<br>0.75-2.5mm <sup>2</sup> | blue   |
| BT012-489  | 878101 | 20.0      | 27.0    | 18-14A.W.G<br>0.75-2.5mm <sup>2</sup> | white  |
| BT012-490  | 878100 | 20.5      | 34.5    | 12-10A.W.G<br>4-6mm <sup>2</sup>      | yellow |





Conductor section:0.5-1.5mm<sup>2</sup>(A.W.G22~16) I<sub>max</sub>= 10A Material:Brass

| BEIST NO. | TYPE            | Nema Tab mm | Thickness of material | DIMENSION |       |       |      |          | Color |
|-----------|-----------------|-------------|-----------------------|-----------|-------|-------|------|----------|-------|
|           |                 |             |                       | B mm      | Dφ mm | dφ mm | L mm | H mm     |       |
| BT012-491 | FDD 1.25-110(5) | 0.5 × 2.8   | 0.3                   | 3.8       | 3.8   | 1.7   | 19.0 | 10.0 red |       |
| BT012-492 | FDD 1.25-110(8) | 0.8 × 2.8   | 0.3                   | 3.8       | 3.8   | 1.7   | 19.0 |          |       |
| BT012-493 | FDD 1.25-187(5) | 0.5 × 4.75  | 0.35                  | 5.6       | 3.8   | 1.7   | 19.0 |          |       |
| BT012-494 | FDD 1.25-187(8) | 0.8 × 4.75  | 0.35                  | 5.6       | 3.8   | 1.7   | 19.0 |          |       |
| BT012-495 | FDD 1.25-205    | 0.5 × 5.2   | 0.35                  | 6.5       | 3.8   | 1.7   | 20.0 |          |       |
| BT012-496 | FDD 1.25-250    | 0.8 × 6.35  | 0.4                   | 7.4       | 3.8   | 1.7   | 21.0 |          |       |

Conductor section:1.5-2.5mm<sup>2</sup>(A.W.G16~14) I<sub>max</sub>= 15A Material: Brass

| BEIST NO. | TYPE         | Nema Tab mm | Thickness of material | DIMENSION |       |       |      |           | Color |
|-----------|--------------|-------------|-----------------------|-----------|-------|-------|------|-----------|-------|
|           |              |             |                       | B mm      | Dφ mm | dφ mm | L mm | H mm      |       |
| BT012-497 | FDD 2-110(5) | 0.5 × 2.8   | 0.3                   | 3.8       | 4.3   | 2.3   | 19.0 | 10.0 blue |       |
| BT012-498 | FDD 2-110(8) | 0.8 × 2.8   | 0.3                   | 3.8       | 4.3   | 2.3   | 19.0 |           |       |
| BT012-499 | FDD 2-187(5) | 0.5 × 4.75  | 0.35                  | 5.6       | 4.3   | 2.3   | 19.0 |           |       |
| BT012-500 | FDD 2-187(8) | 0.8 × 4.75  | 0.35                  | 5.6       | 4.3   | 2.3   | 19.0 |           |       |
| BT012-501 | FDD 2-205    | 0.5 × 5.2   | 0.35                  | 6.5       | 4.3   | 2.3   | 20.0 |           |       |
| BT012-502 | FDD 2-250    | 0.8 × 6.35  | 0.4                   | 7.4       | 4.3   | 2.3   | 21.0 |           |       |
| BT012-503 | FDD 2-312    | 0.8 × 8.0   | 0.4                   | 9.0       | 4.3   | 2.3   | 23.0 |           |       |

Conductor section:4-6mm<sup>2</sup>(A.W.G12~10) I<sub>max</sub>= 24A Material: Brass

| BEIST NO. | TYPE         | Nema Tab mm | Thickness of material | DIMENSION |       |       |      |             | Color |
|-----------|--------------|-------------|-----------------------|-----------|-------|-------|------|-------------|-------|
|           |              |             |                       | B mm      | Dφ mm | dφ mm | L mm | H mm        |       |
| BT012-504 | FDD 5.5-25.0 | 0.8 × 6.35  | 0.4                   | 7.4       | 5.7   | 3.4   | 25.0 | 13.0 yellow |       |
| BT012-505 | FDD 5.5-375  | 1.2 × 9.4   | 0.5                   | 10.9      | 5.7   | 3.4   | 29.6 |             |       |

螺旋式壓綫帽  
WIFE CONNECTOR

| BEIST NO.   | TYPE | Lead combination range                          | DIMENSION |      |      | Color  |
|-------------|------|---|-----------|------|------|--------|
|             |      |   | B mm      | C mm | L mm |        |
| BT012-506   | P71  | Min0.75 × 1 + 0.5 × 1<br>Max1.5 × 2             | 8.5       | 3.5  | 14.7 | gray   |
| BT012-507   | P72  | Min0.75 × 3<br>Max1.5 × 3                       | 10.1      | 6.5  | 17.5 | blue   |
| BT012-508   | P73  | Min0.75 × 3<br>Max1.5 × 3 + 1 × 1               | 11.2      | 8.0  | 21.4 | orange |
| BT012-509   | P74  | Min0.25 × 1 + 0.75 × 1<br>Max2.5 × 4 + 0.75 × 1 | 13.7      | 7.5  | 23.6 | yellow |
| BT012-510   | P75  | Min0.25 × 2<br>Max6 × 3 + 4 × 2                 | 16.0      | 7.0  | 26.5 | red    |
| BT012-510-1 | SP1  | Min18 × 2<br>Max12 × 3                          | 19.0      | 12.5 | 22.0 | yellow |
| BT012-510-2 | SP2  | Min14 × 2<br>Max10 × 4                          | 22.0      | 15   | 29.0 | red    |



Conductor section:0.5-1.5mm<sup>2</sup>(A.W.G22~16) I<sub>max</sub>= 10A Material: Brass

| BEIST NO. | TYPE            | Nema Tab mm | Thickness of material | DIMENSION |       |       |      |          | Color |
|-----------|-----------------|-------------|-----------------------|-----------|-------|-------|------|----------|-------|
|           |                 |             |                       | B mm      | Dφ mm | dφ mm | L mm | H mm     |       |
| BT012-511 | MDD 1.25-110(5) | 0.5 × 2.8   | 0.5                   | 2.8       | 4.3   | 1.7   | 17.7 | 10.0 red |       |
| BT012-512 | MDD 1.25-110(8) | 0.8 × 2.8   | 0.8                   | 2.8       | 4.3   | 1.7   | 17.7 |          |       |
| BT012-513 | MDD 1.25-187(5) | 0.5 × 4.75  | 0.5                   | 4.75      | 4.3   | 1.7   | 20.0 |          |       |
| BT012-514 | MDD 1.25-187(8) | 0.8 × 4.75  | 0.8                   | 4.75      | 4.3   | 1.7   | 20.0 |          |       |
| BT012-515 | MDD 1.25-250    | 0.8 × 6.35  | 0.4 × 2               | 6.35      | 4.3   | 1.7   | 21.0 |          |       |

Conductor section:1.5-2.5mm<sup>2</sup>(A.W.G16~14) I<sub>max</sub>= 15A Material: Brass

| BEIST NO. | TYPE         | Nema Tab mm | Thickness of material | DIMENSION |       |       |      |           | Color |
|-----------|--------------|-------------|-----------------------|-----------|-------|-------|------|-----------|-------|
|           |              |             |                       | B mm      | Dφ mm | dφ mm | L mm | H mm      |       |
| BT012-516 | MDD 2-187(5) | 0.5 × 4.75  | 0.5                   | 4.75      | 4.3   | 2.3   | 20.0 | 10.0 blue |       |
| BT012-517 | MDD 2-187(8) | 0.8 × 4.75  | 0.8                   | 4.75      | 4.3   | 2.3   | 20.0 |           |       |
| BT012-518 | MDD 2-250    | 0.8 × 6.35  | 0.4 × 2               | 6.35      | 4.3   | 2.3   | 21.0 |           |       |

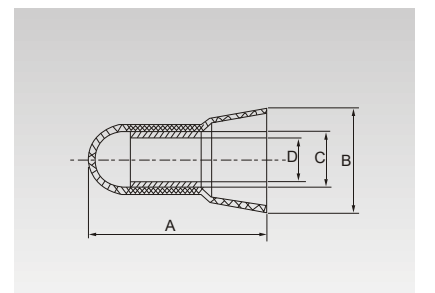
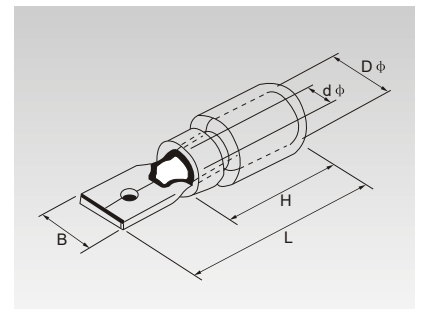
Conductor section:4-6mm<sup>2</sup>(A.W.G12~10) I<sub>max</sub>= 24A Material: Brass

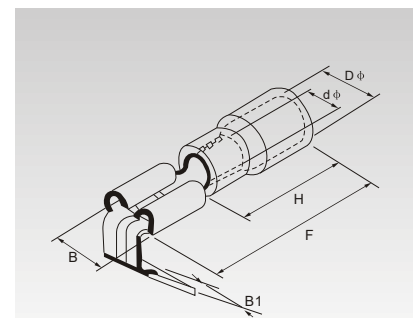
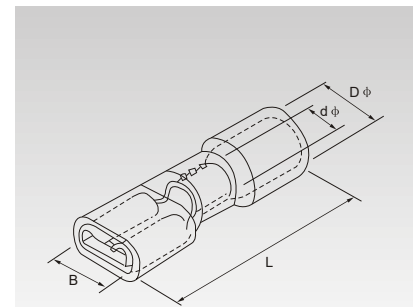
| BEIST NO. | TYPE        | Nema Tab mm | Thickness of material | DIMENSION |       |       |      |             | Color |
|-----------|-------------|-------------|-----------------------|-----------|-------|-------|------|-------------|-------|
|           |             |             |                       | B mm      | Dφ mm | dφ mm | L mm | H mm        |       |
| BT012-519 | MDD 5.5-250 | 0.8 × 6.35  | 0.4 × 2               | 6.35      | 5.7   | 3.4   | 25.0 | 13.0 yellow |       |

CLOSE-END WIFE CONNECTOR

Shell material: Nylon 66,94V-2,certificated agree by UL  
Usage:Peel the coat of wire, then insert to tube,use pincers to fix them.  
Feature:Nylon shell,long copper tube,easy to conduct electricity and hold wire tightly.

| BEIST NO. | TYPE | Nema Tab mm | W(mm) |      | Suitable Wires |                 |       | Packing            |
|-----------|------|-------------|-------|------|----------------|-----------------|-------|--------------------|
|           |      |             | B mm  | C mm | D(mm)          | mm <sup>2</sup> | AWG   |                    |
| BT012-520 | φ3   | 17.8        | 7.2   | 3.6  | 2.5            | 1.25            | 22-16 | 100PCS&<br>1000PCS |
| BT012-521 | φ4   | 21.0        | 8.2   | 4.0  | 2.9            | 2.0             | 16-14 |                    |
| BT012-522 | φ5   | 22.5        | 9.0   | 4.8  | 3.9            | 5.5             | 12-10 |                    |
| BT012-523 | φ6   | 25.0        | 10.0  | 5.6  | 4.5            | 8.0             | 8     |                    |
| BT012-524 | φ7   | 24.2        | 11.0  | 6.5  | 5.4            | 10              | 8-6   | 100PCS&<br>500PCS  |
| BT012-525 | φ8   | 25.6        | 11.8  | 7.5  | 6.0            | 13              | 6     | 100PCS             |
| BT012-526 | φ10  | 29.5        | 13.5  | 9.3  | 7.5            | 16              | 4     |                    |





Conductor section: 0.5-1.5mm<sup>2</sup>(A.W.G22~16) I<sub>max</sub>= 10A Material: Brass

| BEISIT NO. | TYPE             | Nema Tab<br>mm | DIMENSION |     |     |      |
|------------|------------------|----------------|-----------|-----|-----|------|
|            |                  |                | B         | Dφ  | dφ  | L    |
|            |                  |                | mm        | mm  | mm  | mm   |
| BT012-527  | FDFD 1.25-187(5) | 0.5 × 4.75     | 5.6       | 3.8 | 1.7 | 20.0 |
| BT012-528  | FDFD 1.25-187(8) | 0.8 × 4.75     | 5.6       | 3.8 | 1.7 | 20.0 |
| BT012-529  | FDFD 1.25-250    | 0.8 × 6.35     | 7.4       | 3.8 | 1.7 | 21.5 |

Conductor section: 1.5-2.5mm<sup>2</sup>(A.W.G16~14) I<sub>max</sub>= 15A Material: Brass

| BEISIT NO. | TYPE          | Nema Tab<br>mm | DIMENSION |     |     |      |
|------------|---------------|----------------|-----------|-----|-----|------|
|            |               |                | B         | Dφ  | dφ  | L    |
|            |               |                | mm        | mm  | mm  | mm   |
| BT012-530  | FDFD 2-187(5) | 0.5 × 4.75     | 5.6       | 4.3 | 2.3 | 20.0 |
| BT012-531  | FDFD 2-187(8) | 0.8 × 4.75     | 5.6       | 4.3 | 2.3 | 20.0 |
| BT012-532  | FDFD 2-250    | 0.8 × 6.35     | 7.4       | 4.3 | 2.3 | 21.5 |

Conductor section: 4-6mm<sup>2</sup>(A.W.G12~10) I<sub>max</sub>= 24A Material: Brass

| BEISIT NO. | TYPE         | Nema Tab<br>mm | DIMENSION |     |     |      |
|------------|--------------|----------------|-----------|-----|-----|------|
|            |              |                | B         | Dφ  | dφ  | L    |
|            |              |                | mm        | mm  | mm  | mm   |
| BT012-533  | FDFD 5.5-250 | 0.8 × 6.35     | 7.4       | 5.7 | 3.4 | 25.5 |

肩背形公母絕緣端頭  
SHOULDER SHAPED MALE & FEMALE PPE-INSULATING JOINT

Conductor section: 0.5-1.5mm<sup>2</sup>(A.W.G22~16) I<sub>max</sub>= 10A Material: Brass

| BEISIT NO. | TYPE          | Nema Tab<br>mm | DIMENSION |      |      |     |     |      |
|------------|---------------|----------------|-----------|------|------|-----|-----|------|
|            |               |                | B         | B1   | H    | Dφ  | dφ  | L    |
|            |               |                | mm        | mm   | mm   | mm  | mm  | mm   |
| BT012-534  | FBDD 1.25-250 | 0.8 × 6.35     | 7.4       | 6.35 | 10.0 | 3.8 | 1.7 | 21.5 |

Conductor section: 1.5-2.5mm<sup>2</sup>(A.W.G16~14) I<sub>max</sub>= 15A Material: Brass

| BEISIT NO. | TYPE       | Nema Tab<br>mm | DIMENSION |      |      |     |     |      |
|------------|------------|----------------|-----------|------|------|-----|-----|------|
|            |            |                | B         | B1   | H    | Dφ  | dφ  | L    |
|            |            |                | mm        | mm   | mm   | mm  | mm  | mm   |
| BT012-535  | FBDD 2-250 | 0.8 × 6.35     | 7.4       | 6.35 | 10.0 | 4.3 | 2.3 | 21.5 |

Conductor section: 4-6mm<sup>2</sup>(A.W.G12~10) I<sub>max</sub>= 24A Material: Brass

| BEISIT NO. | TYPE         | Nema Tab<br>mm | DIMENSION |      |      |     |     |      |
|------------|--------------|----------------|-----------|------|------|-----|-----|------|
|            |              |                | B         | B1   | H    | Dφ  | dφ  | L    |
|            |              |                | mm        | mm   | mm   | mm  | mm  | mm   |
| BT012-536  | FBDD 5.5-250 | 0.8 × 6.35     | 7.4       | 6.35 | 13.0 | 5.7 | 3.4 | 25.0 |



Conductor section: 0.5-1.5mm<sup>2</sup>(A.W.G22~16) I<sub>max</sub>= 19A Material: Copper Thickness: 0.75mm

| BEISIT NO. | TYPE        | DIMENSION |      |      |      |     | Color |
|------------|-------------|-----------|------|------|------|-----|-------|
|            |             | B         | L    | F    | H    | Dφ  |       |
|            |             | mm        | mm   | mm   | mm   | mm  |       |
| BT012-537  | DBV 1.25-10 | 2.4       | 20.0 | 10.0 | 10.0 | 4.3 | red   |
| BT012-538  | DBV 1.25-11 | 2.4       | 21.0 | 11.0 |      |     |       |
| BT012-539  | DBV 1.25-14 | 2.4       | 24.0 | 14.0 |      |     |       |
| BT012-540  | DBV 1.25-18 | 2.4       | 28.0 | 18.0 |      |     |       |

Conductor section: 1.5-2.5mm<sup>2</sup>(A.W.G16~14) I<sub>max</sub>= 27A Material: Copper Thickness: 0.8mm

| BEISIT NO. | TYPE     | DIMENSION |      |      |      |     | Color |
|------------|----------|-----------|------|------|------|-----|-------|
|            |          | B         | L    | F    | H    | Dφ  |       |
|            |          | mm        | mm   | mm   | mm   | mm  |       |
| BT012-541  | DBV 2-10 | 2.5       | 19.0 | 9.9  | 10.0 | 4.9 | blue  |
| BT012-542  | DBV 2-14 | 2.5       | 24.0 | 14.0 |      |     |       |
| BT012-543  | DBV 2-18 | 2.5       | 28.0 | 18.0 |      |     |       |

Conductor section: 4-6mm<sup>2</sup>(A.W.G12~10) I<sub>max</sub>= 48A Material: Copper Thickness: 1.0mm

| BEISIT NO. | TYPE       | DIMENSION |      |      |      |     | Color  |
|------------|------------|-----------|------|------|------|-----|--------|
|            |            | B         | L    | F    | H    | Dφ  |        |
|            |            | mm        | mm   | mm   | mm   | mm  |        |
| BT012-544  | DBV 5.5-10 | 2.8       | 22.5 | 10.0 | 13.0 | 5.6 | yellow |
| BT012-545  | DBV 5.5-14 | 4.5       | 26.5 | 14.0 |      |     |        |
| BT012-546  | DBV 5.5-18 | 4.5       | 30.5 | 18.0 |      |     |        |

片形裸端頭  
CHIP-SHAPED NAKED TERMINAL

Conductor section: 0.5-1.5mm<sup>2</sup>(A.W.G22~16) I<sub>max</sub>= 19A Material: Copper Thickness: 0.75mm

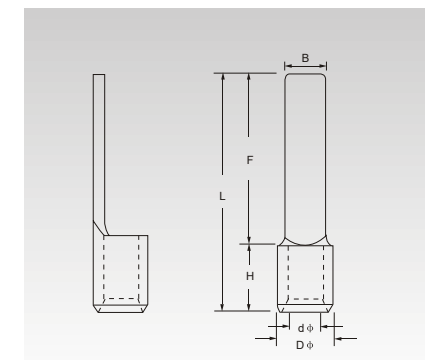
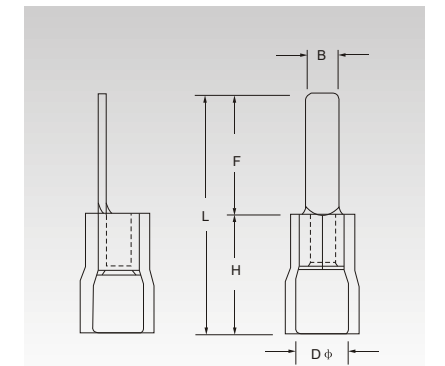
| BEISIT NO. | TYPE        | DIMENSION |      |      |     |     |     |  |
|------------|-------------|-----------|------|------|-----|-----|-----|--|
|            |             | B         | L    | F    | E   | Dφ  | dφ  |  |
|            |             | mm        | mm   | mm   | mm  | mm  | mm  |  |
| BT012-547  | DBN 1.25-10 | 2.4       | 14.8 | 10.0 | 4.8 | 3.4 | 1.7 |  |
| BT012-548  | DBN 1.25-11 | 2.4       | 15.8 | 11.0 |     |     |     |  |
| BT012-549  | DBN 1.25-14 | 2.4       | 18.8 | 14.0 |     |     |     |  |
| BT012-550  | DBN 1.25-18 | 2.4       | 22.8 | 18.0 |     |     |     |  |

Conductor section: 1.5-2.5mm<sup>2</sup>(A.W.G16~14) I<sub>max</sub>= 27A Material: Copper Thickness: 0.8mm

| BEISIT NO. | TYPE     | DIMENSION |      |      |     |     |     |
|------------|----------|-----------|------|------|-----|-----|-----|
|            |          | B         | L    | F    | E   | Dφ  | dφ  |
|            |          | mm        | mm   | mm   | mm  | mm  | mm  |
| BT012-551  | DBN 2-9  | 2.5       | 14.6 | 9.9  | 4.8 | 4.1 | 2.3 |
| BT012-552  | DBN 2-18 | 2.5       | 22.8 | 18.0 |     |     |     |

Conductor section: 4-6mm<sup>2</sup>(A.W.G12~10) I<sub>max</sub>= 48A Material: Copper Thickness: 1.0mm

| BEISIT NO. | TYPE       | DIMENSION |      |      |      |     |     |
|------------|------------|-----------|------|------|------|-----|-----|
|            |            | B         | L    | F    | E    | Dφ  | dφ  |
|            |            | mm        | mm   | mm   | mm   | mm  | mm  |
| BT012-553  | DBN 5.5-10 | 2.8       | 14.8 | 10.0 | 6.0  | 5.6 | 3.4 |
| BT012-554  | DBN 5.5-14 | 4.5       | 21.0 | 14.0 |      |     |     |
| BT012-555  | DBN 5.5-18 | 4.5       | 23.0 | 18.0 |      |     |     |
| BT012-556  | DBN 8-14   | 5.0       | 22.5 | 14.0 | 8.5  | 7.2 | 4.5 |
| BT012-557  | DBN 14-16  | 6.0       | 30.6 | 16.0 | 14.0 | 9.0 | 6.5 |





Material: Copper Insulating Material: PVC

| BEISIT NO. | TYPE    | Conductor section |                 | DIMENSION |     |      | Imax | Color  |
|------------|---------|-------------------|-----------------|-----------|-----|------|------|--------|
|            |         | AWG               | mm <sup>2</sup> | l         | dφ  | L    |      |        |
| BT012-558  | BV 1.25 | 22-16             | 0.5-1.5         | 15.0      | 1.7 | 26.0 | 19A  | red    |
| BT012-559  | BV 2    | 16-14             | 1.5-2.5         | 15.0      | 2.3 | 26.0 | 27A  | blue   |
| BT012-560  | BV 5.5  | 12-10             | 4-6             | 15.0      | 3.4 | 26.0 | 48A  | yellow |
| BT012-561  | BV 8    | # 8               | 6-10            | 21.0      | 4.5 | 32.0 | 62A  | red    |
| BT012-562  | BV 14   | # 6               | 10-16           | 26.0      | 5.8 | 42.0 | 88A  | blue   |
| BT012-563  | BV 22   | # 4               | 16-25           | 29.0      | 7.7 | 50.0 | 115A | yellow |
| BT012-564  | BV 38   | # 2               | 35-50           | 32.0      | 9.4 | 55.0 | 160A | red    |

長形全絕緣中間接頭 (TL-JTK型)  
SHORT FULL INSULATING MIDDLE JOINT (TYPE TL-JTK)

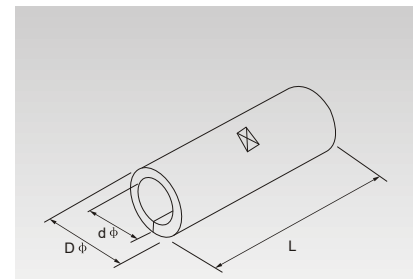
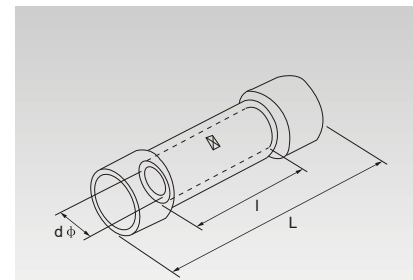
Material: Copper Insulating Material: PVC

| BEISIT NO. | TYPE     | Conductor section |                 | DIMENSION |     |      | Imax | Color  |
|------------|----------|-------------------|-----------------|-----------|-----|------|------|--------|
|            |          | AWG               | mm <sup>2</sup> | l         | dφ  | L    |      |        |
| BT012-565  | PVT 1.25 | 22-16             | 0.5-1.5         | 8.0       | 1.7 | 16.0 | 19A  | red    |
| BT012-566  | PVT 2    | 16-14             | 1.5-2.5         | 8.0       | 2.3 | 16.0 | 27A  | blue   |
| BT012-567  | PVT 5.5  | 12-10             | 4-6             | 8.0       | 3.4 | 20.5 | 48A  | yellow |

中間裸接頭 (TL型)  
NAKED TERMINAL IN THE MIDDLE

Material: Copper

| BEISIT NO. | TYPE    | Conductor section |                 | DIMENSION |      |      |
|------------|---------|-------------------|-----------------|-----------|------|------|
|            |         | AWG               | mm <sup>2</sup> | Dφ        | dφ   | L    |
| BT012-568  | BN 1.25 | 22-16             | 0.5-1.5         | 3.3       | 1.7  | 15.0 |
| BT012-569  | BN 2    | 16-14             | 1.5-2.5         | 4.0       | 2.3  | 15.0 |
| BT012-570  | BN 3.5  | 14-12             | 2.5-4           | 5.0       | 3.0  | 15.0 |
| BT012-571  | BN 5.5  | 12-10             | 4-6             | 5.5       | 3.4  | 15.0 |
| BT012-572  | BN 8    | # 8               | 10              | 7.1       | 4.5  | 21.0 |
| BT012-573  | BN 14   | # 6               | 16              | 9.0       | 5.8  | 26.0 |
| BT012-574  | BN 22   | # 4               | 25              | 11.4      | 7.7  | 29.0 |
| BT012-575  | BN 38   | # 2               | 35              | 13.3      | 9.4  | 32.0 |
| BT012-576  | BN 60   | 1/0               | 50              | 15.4      | 11.4 | 36.0 |
| BT012-577  | BN 70   | 2/0               | 70              | 17.5      | 13.3 | 37.0 |
| BT012-578  | BN 80   | 3/0               | 95              | 19.4      | 14.5 | 38.0 |
| BT012-579  | BN 100  | 4/0               | 120             | 22.0      | 16.4 | 38.0 |
| BT012-580  | BN 150  | 250-300MCM        | 150             | 26.5      | 19.5 | 54.0 |
| BT012-581  | BN 180  | 300-354MCM        | 185             | 28.5      | 21.0 | 57.0 |
| BT012-582  | BN 200  | 400MCM            | 240             | 32.5      | 24.0 | 63.0 |
| BT012-583  | BN 325  | 500-600MCM        | 300             | 37.0      | 28.0 | 72.0 |



Conductor section: 0.5-1.5mm<sup>2</sup> (A.W.G 22 ~ 16) Imax= 10A Material: Brass

| BEISIT NO. | TYPE         | Thickness of material | DIMENSION |      |     |      |      | Color |
|------------|--------------|-----------------------|-----------|------|-----|------|------|-------|
|            |              |                       | b φ       | F    | Dφ  | H    | L    |       |
| BT012-584  | MPD 1.25-156 | 0.4                   | 4.0       | 11.0 | 1.7 | 10.0 | 21.0 | red   |

Conductor section: 1.5-2.5mm<sup>2</sup> (A.W.G 16 ~ 14) Imax= 15A Material: Brass

| BEISIT NO. | TYPE      | Thickness of material | DIMENSION |      |     |      |      | Color |
|------------|-----------|-----------------------|-----------|------|-----|------|------|-------|
|            |           |                       | b φ       | F    | Dφ  | H    | L    |       |
| BT012-585  | MPD 2-156 | 0.4                   | 4.0       | 11.0 | 2.3 | 10.0 | 21.0 | blue  |
| BT012-586  | MPD 2-196 | 0.4                   | 5.0       | 11.0 | 2.3 | 10.0 | 21.0 |       |

Conductor section: 4-6mm<sup>2</sup> (A.W.G 12 ~ 10) Imax= 24A Material: Brass

| BEISIT NO. | TYPE        | Thickness of material | DIMENSION |      |     |      |      | Color  |
|------------|-------------|-----------------------|-----------|------|-----|------|------|--------|
|            |             |                       | b φ       | F    | Dφ  | H    | L    |        |
| BT012-587  | MPD 5.5-195 | 0.4                   | 5.0       | 12.0 | 3.4 | 13.0 | 25.0 | yellow |

子彈形母預絕緣接頭  
BULLET SHAPED FEMALE INSULATING JOINT

Conductor section: 0.5-1.5mm<sup>2</sup> (A.W.G 22 ~ 16) Imax= 10A Material: Brass

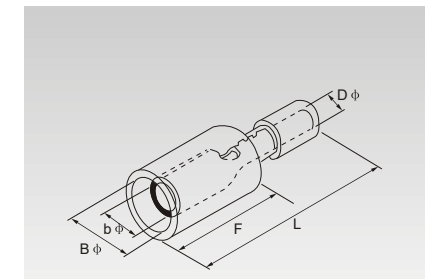
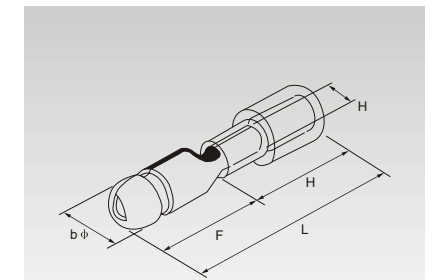
| BEISIT NO. | TYPE         | Thickness of material | DIMENSION |     |     |      |      | Color |
|------------|--------------|-----------------------|-----------|-----|-----|------|------|-------|
|            |              |                       | b φ       | B φ | Dφ  | H    | L    |       |
| BT012-588  | FRD 1.25-156 | 0.4                   | 4.0       | 6.3 | 1.7 | 13.0 | 24.5 | red   |

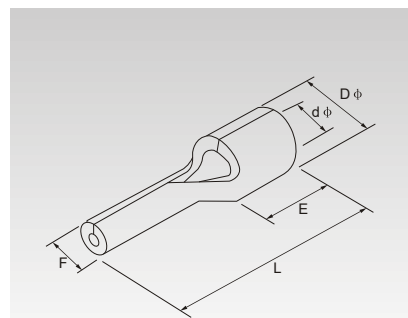
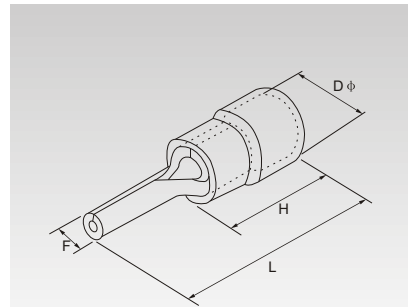
Conductor section: 1.5-2.5mm<sup>2</sup> (A.W.G 16 ~ 14) Imax= 15A Material: Brass

| BEISIT NO. | TYPE      | Thickness of material | DIMENSION |     |     |      |      | Color |
|------------|-----------|-----------------------|-----------|-----|-----|------|------|-------|
|            |           |                       | b φ       | B φ | Dφ  | H    | L    |       |
| BT012-589  | FRD 2-156 | 0.4                   | 4.0       | 6.3 | 2.3 | 14.0 | 24.5 | blue  |
| BT012-590  | FRD 2-195 | 0.4                   | 5.0       | 7.0 | 2.3 | 14.0 | 25.5 |       |

Conductor section: 4-6mm<sup>2</sup> (A.W.G 12 ~ 10) Imax= 24A Material: Brass

| BEISIT NO. | TYPE        | Thickness of material | DIMENSION |     |     |      |      | Color  |
|------------|-------------|-----------------------|-----------|-----|-----|------|------|--------|
|            |             |                       | b φ       | B φ | Dφ  | H    | L    |        |
| BT012-591  | FRD 5.5-195 | 0.4                   | 5.0       | 7.0 | 3.4 | 14.0 | 29.5 | yellow |





Conductor section:0.5-1.5mm<sup>2</sup>(A.W.G22~16)I<sub>max</sub>= 19A Material:Copper Thickness:0.75mm

| BEISIT NO. | TYPE        | DIMENSION |      |      |     | Color |
|------------|-------------|-----------|------|------|-----|-------|
|            |             | F         | L    | H    | Dφ  |       |
| BT012-592  | PTV 1.25-9  | 1.9       | 19.0 | 10.0 | 4.3 | red   |
| BT012-593  | PTV 1.25-10 | 1.9       | 20.0 |      |     |       |
| BT012-594  | PTV 1.25-12 | 1.9       | 22.0 |      |     |       |
| BT012-595  | PTV 1.25-13 | 1.9       | 23.0 |      |     |       |
| BT012-596  | PTV 1.25-18 | 1.9       | 28.0 |      |     |       |

Conductor section:1.5-2.5mm<sup>2</sup>(A.W.G16~14)I<sub>max</sub>= 27A Material:Copper Thickness:0.8mm

| BEISIT NO. | TYPE     | DIMENSION |      |      |     | Color |
|------------|----------|-----------|------|------|-----|-------|
|            |          | F         | L    | H    | Dφ  |       |
| BT012-597  | PTV 2-9  | 1.9       | 19.0 | 10.0 | 4.9 | blue  |
| BT012-598  | PTV 2-10 | 1.9       | 20.0 |      |     |       |
| BT012-599  | PTV 2-12 | 1.9       | 22.0 |      |     |       |
| BT012-600  | PTV 2-13 | 1.9       | 23.0 |      |     |       |
| BT012-601  | PTV 2-18 | 1.9       | 28.0 |      |     |       |

Conductor section:2.5-4mm<sup>2</sup>(A.W.G14~12)I<sub>max</sub>= 36A Material:Copper Thickness:1.0mm

| BEISIT NO. | TYPE       | DIMENSION |      |      |     | Color |
|------------|------------|-----------|------|------|-----|-------|
|            |            | F         | L    | H    | Dφ  |       |
| BT012-602  | PTV 3.5-10 | 2.8       | 20.0 | 13.0 | 6.2 | black |
| BT012-603  | PTV 3.5-12 | 2.8       | 25.5 |      |     |       |

Conductor section:4-6mm<sup>2</sup>(A.W.G12~10)I<sub>max</sub>= 48A Material:Copper Thickness:1.0mm

| BEISIT NO. | TYPE       | DIMENSION |      |      |     | Color  |
|------------|------------|-----------|------|------|-----|--------|
|            |            | F         | L    | H    | Dφ  |        |
| BT012-604  | PTV 5.5-13 | 2.8       | 25.5 | 13.0 | 6.7 | yellow |

針形裸端頭 (TZ型)  
PIN-SHAPED NATED TERMINAL(TYPE TZ)

Conductor section:0.5-1.5mm<sup>2</sup>(A.W.G22~16)I<sub>max</sub>= 19A Material:Copper Thickness:0.75mm

| BEISIT NO. | TYPE        | DIMENSION |      |     |     | Color |
|------------|-------------|-----------|------|-----|-----|-------|
|            |             | F         | L    | E   | Dφ  |       |
| BT012-605  | PTV 1.25-9  | 1.9       | 13.8 | 4.8 | 3.4 | 1.7   |
| BT012-606  | PTV 1.25-10 | 1.9       | 14.8 |     |     |       |
| BT012-607  | PTV 1.25-12 | 1.9       | 16.8 |     |     |       |
| BT012-608  | PTV 1.25-13 | 1.9       | 17.8 |     |     |       |
| BT012-609  | PTV 1.25-18 | 1.9       | 22.8 |     |     |       |

Conductor section:1.5-2.5mm<sup>2</sup>(A.W.G16~14)I<sub>max</sub>= 27A Material:Copper Thickness:0.8mm

| BEISIT NO. | TYPE     | DIMENSION |      |     |     | Color |
|------------|----------|-----------|------|-----|-----|-------|
|            |          | F         | L    | E   | Dφ  |       |
| BT012-610  | PTV 2-9  | 1.9       | 13.8 | 4.8 | 4.1 | 2.3   |
| BT012-611  | PTV 2-10 | 1.9       | 14.8 |     |     |       |
| BT012-612  | PTV 2-12 | 1.9       | 16.8 |     |     |       |
| BT012-613  | PTV 2-13 | 1.9       | 17.8 |     |     |       |
| BT012-614  | PTV 2-18 | 1.9       | 22.8 |     |     |       |

Conductor section:2.5-4mm<sup>2</sup>(A.W.G14~12)I<sub>max</sub>= 37A Material:Copper Thickness:1.0mm

| BEISIT NO. | TYPE       | DIMENSION |      |     |     | Color |
|------------|------------|-----------|------|-----|-----|-------|
|            |            | F         | L    | E   | Dφ  |       |
| BT012-615  | PTV 3.5-10 | 2.8       | 14.8 | 6.0 | 5.0 | 3.0   |
| BT012-616  | PTV 3.5-13 | 2.8       | 19.8 |     |     |       |

Conductor section:4-6mm<sup>2</sup>(A.W.G12~10)I<sub>max</sub>= 48A Material:Copper Thickness:1.0mm

| BEISIT NO. | TYPE       | DIMENSION |      |     |     | Color |
|------------|------------|-----------|------|-----|-----|-------|
|            |            | F         | L    | H   | Dφ  |       |
| BT012-617  | PTV 5.5-13 | 2.8       | 19.8 | 6.0 | 5.6 | 3.4   |



Conductor section:0.5-1.5mm<sup>2</sup>(A.W.G22~16)I<sub>max</sub>= 19A Material:Copper Thickness:0.75mm

| BEISIT NO. | TYPE         | American Bolt number | d2φ (mm) | DIMENSION |      |     |      | Color |     |
|------------|--------------|----------------------|----------|-----------|------|-----|------|-------|-----|
|            |              |                      |          | B         | L    | F   | H    |       |     |
| BT012-618  | LSV 1.25-3.5 | # 6                  | 3.7      | 6.4       | 21.2 | 6.5 | 10.0 | 4.3   | red |
| BT012-619  | LSVS 1.25-4  | # 8                  | 4.3      | 7.2       | 21.2 | 6.5 |      |       |     |
| BT012-620  | LSVL 1.25-4  | # 8                  | 4.3      | 8.1       | 21.2 | 6.5 |      |       |     |
| BT012-621  | LSVS 1.25-5  | # 10                 | 5.3      | 8.1       | 21.2 | 6.5 |      |       |     |
| BT012-622  | LSVL 1.25-5  | # 10                 | 5.3      | 9.5       | 21.2 | 6.5 |      |       |     |

Conductor section:1.5-2.5mm<sup>2</sup>(A.W.G16~14)I<sub>max</sub>= 27A Material:Copper Thickness:0.8mm

| BEISIT NO. | TYPE      | American Bolt number | d2φ (mm) | DIMENSION |      |     |      | Color |      |
|------------|-----------|----------------------|----------|-----------|------|-----|------|-------|------|
|            |           |                      |          | B         | L    | F   | H    |       |      |
| BT012-623  | LSV 2-3.5 | # 6                  | 3.7      | 6.0       | 21.2 | 6.5 | 10.0 | 4.9   | blue |
| BT012-624  | LSVS 2-4  | # 8                  | 4.3      | 7.2       | 21.2 | 6.5 |      |       |      |
| BT012-625  | LSVL 2-4  | # 8                  | 4.3      | 8.1       | 21.2 | 6.5 |      |       |      |
| BT012-626  | LSVS 2-5  | # 10                 | 5.3      | 8.1       | 21.2 | 6.5 |      |       |      |
| BT012-627  | LSVL 2-5  | # 10                 | 5.3      | 9.5       | 21.2 | 6.5 |      |       |      |

Conductor section:4-6mm<sup>2</sup>(A.W.G12~10)I<sub>max</sub>= 48A Material:Copper Thickness:1.0mm

| BEISIT NO. | TYPE        | American Bolt number | d2φ (mm) | DIMENSION |      |      |      | Color |        |
|------------|-------------|----------------------|----------|-----------|------|------|------|-------|--------|
|            |             |                      |          | B         | L    | F    | H    |       |        |
| BT012-628  | LSV 5.5-3.5 | # 6                  | 3.7      | 8.3       | 25.2 | 7.5  | 13.0 | 6.7   | yellow |
| BT012-629  | LSV 5.5-4   | # 8                  | 4.3      | 8.3       | 25.2 | 7.5  |      |       |        |
| BT012-630  | LSV 5.5-4   | # 10                 | 5.3      | 9.0       | 23.9 | 7.5  |      |       |        |
| BT012-631  | LSV 5.5-5   | 1/4                  | 6.4      | 12.0      | 31.2 | 12.0 |      |       |        |

鈎形預絕緣端頭  
HOOKED PPE-INSULATING JOINT

Conductor section:0.5-1.5mm<sup>2</sup>(A.W.G22~16)I<sub>max</sub>= 19A Material:Copper Thickness:0.75mm

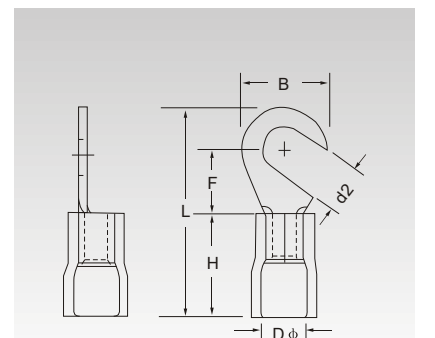
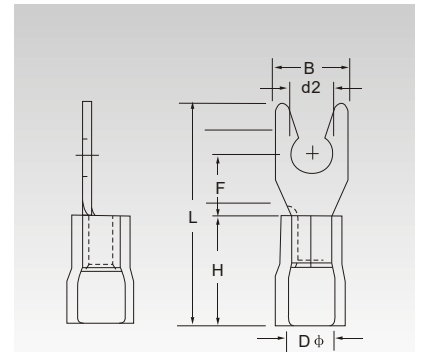
| BEISIT NO. | TYPE        | American Bolt number | d2φ (mm) | DIMENSION |      |      |      | Color |     |
|------------|-------------|----------------------|----------|-----------|------|------|------|-------|-----|
|            |             |                      |          | B         | L    | F    | H    |       |     |
| BT012-632  | HV 1.25-3.5 | # 6                  | 3.7      | 8.0       | 21.0 | 7.0  | 10.0 | 4.3   | red |
| BT012-633  | HV 1.25-4   | # 8                  | 4.3      | 8.0       | 21.0 | 7.0  |      |       |     |
| BT012-634  | HV 1.25-5   | # 10                 | 5.3      | 8.0       | 21.0 | 7.0  |      |       |     |
| BT012-635  | HV 1.25-6   | 1/4                  | 6.4      | 11.6      | 27.0 | 11.1 |      |       |     |

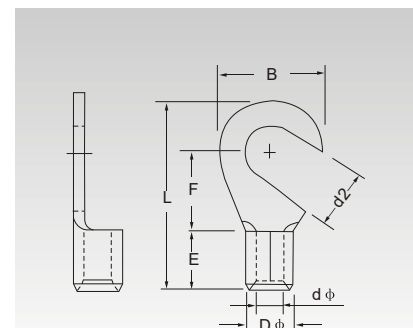
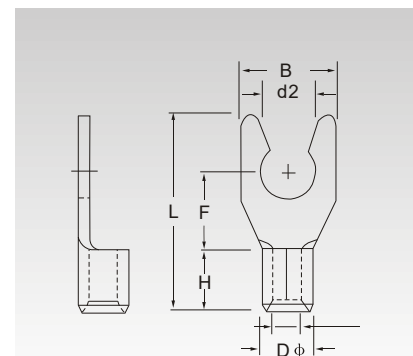
Conductor section:1.5-2.5mm<sup>2</sup>(A.W.G16~14)I<sub>max</sub>= 27A Material:Copper Thickness:0.8mm

| BEISIT NO. | TYPE     | American Bolt number | d2φ (mm) | DIMENSION |      |      |      | Color |      |
|------------|----------|----------------------|----------|-----------|------|------|------|-------|------|
|            |          |                      |          | B         | L    | F    | H    |       |      |
| BT012-636  | HV 2-3.5 | # 6                  | 3.7      | 8.5       | 22.0 | 7.75 | 10.0 | 4.9   | blue |
| BT012-637  | HV 2-4   | # 8                  | 4.3      | 8.5       | 22.0 | 7.75 |      |       |      |
| BT012-638  | HV 2-5   | # 10                 | 5.3      | 9.5       | 22.0 | 7.25 |      |       |      |
| BT012-639  | HV 2-5   | 1/4                  | 6.4      | 12.0      | 27.0 | 11.0 |      |       |      |

Conductor section:4-6mm<sup>2</sup>(A.W.G12~10)I<sub>max</sub>= 48A Material:Copper Thickness:1.0mm

| BEISIT NO. | TYPE       | American Bolt number | d2φ (mm) | DIMENSION |      |      |      | Color |        |
|------------|------------|----------------------|----------|-----------|------|------|------|-------|--------|
|            |            |                      |          | B         | L    | F    | H    |       |        |
| BT012-640  | HV 5.5-3.5 | # 6                  | 3.7      | 7.2       | 21.4 | 5.9  | 13.0 | 6.7   | yellow |
| BT012-641  | HV 5.5-4   | # 8                  | 4.3      | 9.5       | 25.5 | 8.25 |      |       |        |
| BT012-642  | HV 5.5-5   | # 10                 | 5.3      | 9.5       | 25.5 | 8.25 |      |       |        |
| BT012-643  | HV 5.5-5   | 1/4                  | 6.4      | 12.0      | 31.5 | 13.0 |      |       |        |





Imax= 19A Material: Copper Thickness:0.75mm

| BEISIT NO. | TYPE          | d2φ (mm) | DIMENSION |     |      |     |     |     | A.W.G mm <sup>2</sup>                |
|------------|---------------|----------|-----------|-----|------|-----|-----|-----|--------------------------------------|
|            |               |          | B         | F   | L    | E   | Dφ  | dφ  |                                      |
| BT012-644  | LSNB 1.25-3.5 | 3.7      | 6.4       |     |      |     |     |     | 22-16A.W.G<br>0.5-1.5mm <sup>2</sup> |
| BT012-645  | LSNBS 1.25-4  | 4.3      | 7.2       |     |      |     |     |     |                                      |
| BT012-646  | LSNBL 1.25-4  | 4.3      | 8.1       | 6.5 | 16.0 | 4.8 | 3.4 | 1.7 |                                      |
| BT012-647  | LSNBS 1.25-5  | 5.3      | 8.1       |     |      |     |     |     |                                      |
| BT012-648  | LSNBL 1.25-5  | 5.3      | 9.5       |     |      |     |     |     |                                      |

Imax= 27A Material: Copper Thickness:0.8mm

| BEISIT NO. | TYPE       | d2φ (mm) | DIMENSION |     |      |     |     |     | A.W.G mm <sup>2</sup>                |
|------------|------------|----------|-----------|-----|------|-----|-----|-----|--------------------------------------|
|            |            |          | B         | F   | L    | E   | Dφ  | dφ  |                                      |
| BT012-649  | LSNB 2-3.5 | 3.7      | 6.0       |     |      |     |     |     | 16-14A.W.G<br>1.5-2.5mm <sup>2</sup> |
| BT012-650  | LSNBS 2-4  | 4.3      | 7.2       |     |      |     |     |     |                                      |
| BT012-651  | LSNBL 2-4  | 4.3      | 8.1       | 6.5 | 16.0 | 4.8 | 4.1 | 2.3 |                                      |
| BT012-652  | LSNBS 2-5  | 5.3      | 8.1       |     |      |     |     |     |                                      |
| BT012-653  | LSNBL 2-5  | 5.3      | 9.5       |     |      |     |     |     |                                      |

Imax= 48A Material: Copper Thickness:1.0mm

| BEISIT NO. | TYPE         | d2φ (mm) | DIMENSION |      |      |     |     |     | A.W.G mm <sup>2</sup>            |
|------------|--------------|----------|-----------|------|------|-----|-----|-----|----------------------------------|
|            |              |          | B         | F    | L    | E   | Dφ  | dφ  |                                  |
| BT012-654  | LSNB 5.5-3.5 | 3.7      | 8.3       |      |      |     |     |     | 12-10A.W.G<br>4-6mm <sup>2</sup> |
| BT012-655  | LSNB 5.5-4   | 4.3      | 8.3       | 7.5  | 19.5 | 6.0 | 5.6 | 3.4 |                                  |
| BT012-656  | LSNB 5.5-5   | 5.3      | 9.0       |      |      |     |     |     |                                  |
| BT012-657  | LSNB 5.5-6   | 6.4      | 12.0      | 12.0 | 24.5 |     |     |     |                                  |

鈎形裸端頭  
HOOKED NAKED TERMINAL

Imax= 19A Material: Copper Thickness:0.75mm

| BEISIT NO. | TYPE         | d2φ (mm) | DIMENSION |      |      |     |     |     | A.W.G mm <sup>2</sup>                |
|------------|--------------|----------|-----------|------|------|-----|-----|-----|--------------------------------------|
|            |              |          | B         | F    | L    | E   | Dφ  | dφ  |                                      |
| BT012-658  | HNB 1.25-3.5 | 3.7      |           |      |      |     |     |     | 22-16A.W.G<br>0.5-1.5mm <sup>2</sup> |
| BT012-659  | HNB 1.25-4   | 4.3      | 8.0       | 7.0  | 15.8 | 4.8 | 3.4 | 1.7 |                                      |
| BT012-660  | HNB 1.25-5   | 5.3      |           |      |      |     |     |     |                                      |
| BT012-661  | HNB 1.25-6   | 6.4      | 11.6      | 11.0 | 21.8 |     |     |     |                                      |

Imax= 27A Material: Copper Thickness:0.8mm

| BEISIT NO. | TYPE      | d2φ (mm) | DIMENSION |      |      |     |     |     | A.W.G mm <sup>2</sup>                |
|------------|-----------|----------|-----------|------|------|-----|-----|-----|--------------------------------------|
|            |           |          | B         | F    | L    | E   | Dφ  | dφ  |                                      |
| BT012-662  | HNB 2-3.5 | 3.7      | 8.5       | 7.8  | 16.8 | 4.8 | 4.1 | 2.3 | 16-14A.W.G<br>1.5-2.5mm <sup>2</sup> |
| BT012-663  | HNB 2-4   | 4.3      |           |      |      |     |     |     |                                      |
| BT012-664  | HNB 2-5   | 5.3      | 9.5       | 7.3  |      |     |     |     |                                      |
| BT012-665  | HNB 2-6   | 6.4      | 12.0      | 11.0 | 21.8 |     |     |     |                                      |

Imax= 48A Material: Copper Thickness:1.0mm

| BEISIT NO. | TYPE        | d2φ (mm) | DIMENSION |      |      |     |     |     | A.W.G mm <sup>2</sup>            |
|------------|-------------|----------|-----------|------|------|-----|-----|-----|----------------------------------|
|            |             |          | B         | F    | L    | E   | Dφ  | dφ  |                                  |
| BT012-666  | HNB 5.5-3.5 | 3.7      | 7.2       | 6.1  | 15.7 | 6.0 | 5.6 | 3.4 | 12-10A.W.G<br>4-6mm <sup>2</sup> |
| BT012-667  | HNB 5.5-4   | 4.3      |           |      |      |     |     |     |                                  |
| BT012-668  | HNB 5.5-5   | 5.3      | 9.5       | 9.5  | 19.8 |     |     |     |                                  |
| BT012-669  | HNB 5.5-6   | 6.4      | 12.0      | 10.3 | 22.5 |     |     |     |                                  |
| BT012-670  | HNB 5.5-8   | 8.4      | 15.0      | 13.5 | 27.0 |     |     |     |                                  |

Imax= 62A Material: Copper Thickness:1.2mm

| BEISIT NO. | TYPE    | d2φ (mm) | DIMENSION |      |      |     |     |     | A.W.G mm <sup>2</sup>   |
|------------|---------|----------|-----------|------|------|-----|-----|-----|-------------------------|
|            |         |          | B         | F    | L    | E   | Dφ  | dφ  |                         |
| BT012-671  | HNB 8-8 | 8.4      | 15.0      | 13.8 | 29.5 | 8.5 | 7.2 | 4.5 | 8A.W.G 8mm <sup>2</sup> |



Conductor section:0.5-1.5mm<sup>2</sup>(A.W.G22~16)Imax= 19A Material:Copper Thickness:0.75mm

| BEISIT NO. | TYPE         | American Bolt number | d2φ (mm) | DIMENSION |      |     |      |     | Color |
|------------|--------------|----------------------|----------|-----------|------|-----|------|-----|-------|
|            |              |                      |          | B         | L    | F   | H    | Dφ  |       |
| BT012-672  | FSV 1.25-3.5 | # 6                  | 3.7      | 7.5       | 19.0 | 5.1 |      |     | red   |
| BT012-673  | FSV 1.25-4   | # 8                  | 4.3      | 7.5       | 19.0 | 5.1 | 10.0 | 4.3 |       |
| BT012-674  | FSV 1.25-5   | # 10                 | 5.3      | 7.5       | 19.0 | 5.1 |      |     |       |

Conductor section:1.5-2.5mm<sup>2</sup>(A.W.G16~14)Imax= 27A Material:Copper Thickness:0.8mm

| BEISIT NO. | TYPE      | American Bolt number | d2φ (mm) | DIMENSION |      |     |      |     | Color |
|------------|-----------|----------------------|----------|-----------|------|-----|------|-----|-------|
|            |           |                      |          | B         | L    | F   | H    | Dφ  |       |
| BT012-675  | FSV 2-3.5 | # 6                  | 3.7      | 7.5       | 19.0 | 5.2 |      |     | blue  |
| BT012-676  | FSV 2-4   | # 8                  | 4.3      | 7.5       | 19.0 | 5.2 | 10.0 | 4.9 |       |
| BT012-677  | FSV 2-5   | # 10                 | 5.3      | 7.5       | 19.0 | 5.2 |      |     |       |

Conductor section:4-6mm<sup>2</sup>(A.W.G12~10)Imax= 48A Material:Copper Thickness:1.0mm

| BEISIT NO. | TYPE        | American Bolt number | d2φ (mm) | DIMENSION |      |     |      |     | Color  |
|------------|-------------|----------------------|----------|-----------|------|-----|------|-----|--------|
|            |             |                      |          | B         | L    | F   | H    | Dφ  |        |
| BT012-678  | FSV 5.5-3.5 | # 6                  | 3.7      | 8.5       | 25.5 | 7.5 |      |     | yellow |
| BT012-679  | FSV 5.5-4   | # 8                  | 4.3      | 8.5       | 25.5 | 7.5 | 13.0 | 6.7 |        |
| BT012-680  | FSV 5.5-5   | # 10                 | 5.3      | 8.5       | 25.5 | 7.5 |      |     |        |

凹片形預絕緣端頭  
FEMALE CHIP-SHAPED PPE-INSULATING TJOINT

Conductor section:0.5-1.5mm<sup>2</sup>(A.W.G22~16)Imax= 19A Material:Copper Thickness:0.75mm

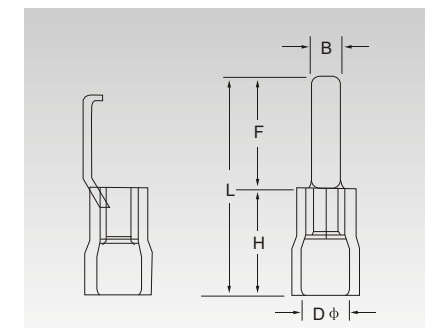
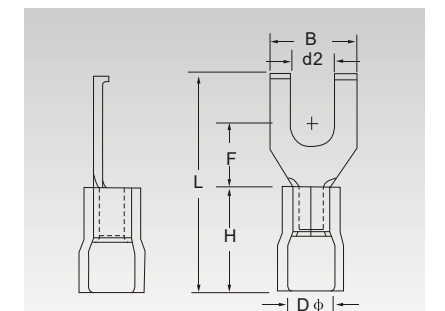
| BEISIT NO. | TYPE         | DIMENSION |      |      |      |     | Color |
|------------|--------------|-----------|------|------|------|-----|-------|
|            |              | B         | L    | F    | H    | Dφ  |       |
| BT012-681  | LBV 1.25-3   | 3.0       | 26.8 | 16.8 |      |     | red   |
| BT012-682  | LBV 1.25-4.6 | 4.6       | 26.8 | 16.8 | 10.0 | 4.3 |       |

Conductor section:1.5-2.5mm<sup>2</sup>(A.W.G16~14)Imax= 27A Material:Copper Thickness:0.8mm

| BEISIT NO. | TYPE      | DIMENSION |      |      |      |     | Color |
|------------|-----------|-----------|------|------|------|-----|-------|
|            |           | B         | L    | F    | H    | Dφ  |       |
| BT012-683  | LBV 2-3   | 3.0       | 26.8 | 16.8 |      |     | blue  |
| BT012-684  | LBV 2-4.6 | 4.6       | 26.8 | 16.8 | 10.0 | 4.9 |       |

Conductor section:4-6mm<sup>2</sup>(A.W.G12~10)Imax= 48A Material:Copper Thickness:1.0mm

| BEISIT NO. | TYPE        | DIMENSION |      |      |      |     | Color  |
|------------|-------------|-----------|------|------|------|-----|--------|
|            |             | B         | L    | F    | H    | Dφ  |        |
| BT012-685  | LBV 5.5-3   | 3.0       | 29.3 | 16.8 |      |     | yellow |
| BT012-686  | LBV 5.5-4.6 | 4.6       | 29.3 | 16.8 | 13.0 | 6.7 |        |

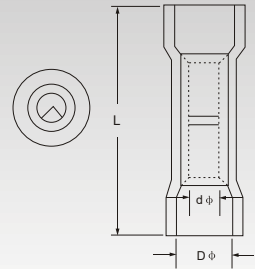




Imax= 26-22 A.W.G:9A 22-16A.W.G:19A  
16-14A.W.G:27A 12-10A.W.G:48A  
Max withstanding pressure:105℃ 600V Insulating Cover Material:Nylon

| BEISIT NO. | TYPE     | DIMENSION |     |     | Joint material | A.W.Gmm <sup>2</sup>                 | Color  |
|------------|----------|-----------|-----|-----|----------------|--------------------------------------|--------|
|            |          | L         | Dφ  | dφ  |                |                                      |        |
| BT012-687  | BNYF0.5  | 20.0      | 2.0 | 1.3 | Copper Ppe     | 26-22A.W.G<br>0.2-0.5mm <sup>2</sup> | yellow |
| BT012-688  | BNYF1.25 | 27.3      | 3.2 | 1.7 | Copper Ppe     | 26-16A.W.G<br>0.5-1.5mm <sup>2</sup> | red    |
| BT012-689  | BNYF2    | 27.3      | 3.8 | 2.3 | Copper Ppe     | 16-14A.W.G<br>1.5-2.5mm <sup>2</sup> | blue   |
| BT012-690  | BNYF5.5  | 27.3      | 5.3 | 3.4 | Copper Ppe     | 12-10A.W.G<br>4-6mm <sup>2</sup>     | yellow |

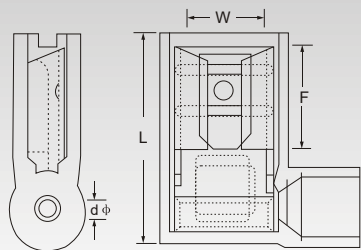
| BEISIT NO. | TYPE    | DIMENSION |     |     | Joint material | A.W.Gmm <sup>2</sup>                 | Color  |
|------------|---------|-----------|-----|-----|----------------|--------------------------------------|--------|
|            |         | L         | Dφ  | dφ  |                |                                      |        |
| BT012-691  | BNY1.25 | 27.3      | 3.2 | 1.7 | Copper         | 26-16A.W.G<br>0.5-1.5mm <sup>2</sup> | red    |
| BT012-692  | BNY2    | 27.3      | 3.8 | 2.3 | Copper         | 16-14A.W.G<br>1.5-2.5mm <sup>2</sup> | blue   |
| BT012-693  | BNY5.5  | 27.3      | 5.3 | 3.4 | Copper         | 12-10A.W.G<br>4-6mm <sup>2</sup>     | yellow |



旗形母絕緣接頭 (尼龍)  
FLAG FEMALE INSULATING JOINT(NYLON)

Imax= 22-18 A.W.G:10A 16-14A.W.G:15A 12-10A.W.G:24A  
Max withstanding pressure:105℃ 600V  
Material: Brass Insulating Cover Material: Nylon Thickness: 0.4mm

| BEISIT NO. | TYPE          | Connect specification | DIMENSION |     |      |    | A.W.Gmm <sup>2</sup>                 |
|------------|---------------|-----------------------|-----------|-----|------|----|--------------------------------------|
|            |               |                       | W         | F   | L    | dφ |                                      |
| BT012-694  | FLDNY1.25-250 | 0.8 × 6.35            | 6.6       | 7.6 | 16.0 | 17 | 22-18A.W.G<br>0.5-1.5mm <sup>2</sup> |
| BT012-695  | FLDNY2-250    | 0.8 × 6.35            | 6.6       | 7.6 | 16.0 | 17 | 16-14A.W.G<br>1.5-2.5mm <sup>2</sup> |
| BT012-696  | FLDNY5.5-250  | 0.8 × 6.35            | 6.6       | 7.6 | 16.0 | 17 | 12-10A.W.G<br>4-6mm <sup>2</sup>     |



Imax= 10A Material:Brass Insulating Cover Material: Nylon

| BEISIT NO. | TYPE          | Connect specification | DIMENSION |     |      |      |     |     |     |     | A.W.G mm <sup>2</sup>  | Color |
|------------|---------------|-----------------------|-----------|-----|------|------|-----|-----|-----|-----|------------------------|-------|
|            |               |                       | W         | F   | L    | B    | Dφ  | Cφ  | T   | Fig |                        |       |
| BT012-697  | FDFN 1.25-250 | 0.8 × 6.35            | 6.6       | 7.3 | 22.0 | 11.0 | 4.0 | 1.7 | 0.4 | 1   | 22-16A.W.G             | red   |
| BT012-698  | MDFN 1.25-250 | 0.8 × 6.35            | 6.35      | 7.7 | 23.0 |      |     |     |     | 2   | 0.5-1.5mm <sup>2</sup> |       |

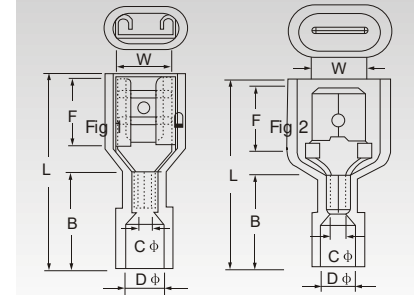


Imax= 15A Material:Brass Insulating Cover Material: Nylon

| BEISIT NO. | TYPE       | Connect specification | DIMENSION |     |      |      |     |     |     |     | A.W.G mm <sup>2</sup>  | Color |
|------------|------------|-----------------------|-----------|-----|------|------|-----|-----|-----|-----|------------------------|-------|
|            |            |                       | W         | F   | L    | B    | Dφ  | Cφ  | T   | Fig |                        |       |
| BT012-699  | FDFN 2-250 | 0.8 × 6.35            | 6.6       | 7.3 | 22.0 | 11.0 | 4.5 | 2.3 | 0.4 | 1   | 16-14A.W.G             | blue  |
| BT012-700  | MDFN 2-250 | 0.8 × 6.35            | 6.35      | 7.7 | 24.0 |      |     |     |     | 2   | 1.5-2.5mm <sup>2</sup> |       |

Imax= 24A Material:Brass Insulating Cover Material: Nylon

| BEISIT NO. | TYPE         | Connect specification | DIMENSION |     |      |      |     |     |     |     | A.W.G mm <sup>2</sup> | Color  |
|------------|--------------|-----------------------|-----------|-----|------|------|-----|-----|-----|-----|-----------------------|--------|
|            |              |                       | W         | F   | L    | B    | Dφ  | Cφ  | T   | Fig |                       |        |
| BT012-701  | FDFN 5.5-250 | 0.8 × 6.35            | 6.6       | 7.3 | 24.0 | 13.0 | 6.3 | 3.4 | 0.4 | 1   | 12-10A.W.G            | yellow |
| BT012-702  | MDFN 5.5-250 | 0.8 × 6.35            | 6.35      | 7.7 | 25.0 |      |     |     |     | 2   | 4-6mm <sup>2</sup>    |        |



公、母全絕緣接頭 (尼龍)  
MALE AND FEMALE FULL-INSULATING JOINT(NYLON)

Imax= 10A Material:Brass Insulating Cover Material: Nylon

| BEISIT NO. | TYPE          | Connect specification | DIMENSION |     |      |      |     |     |      |     | A.W.G mm <sup>2</sup>  | Color |
|------------|---------------|-----------------------|-----------|-----|------|------|-----|-----|------|-----|------------------------|-------|
|            |               |                       | W         | F   | L    | B    | Dφ  | Cφ  | T    | Fig |                        |       |
| BT012-703  | FDFNY1.25-250 | 0.8 × 6.35            | 6.6       | 7.3 | 22.0 | 12.0 | 4.0 | 1.7 | 0.45 | 1   | 22-16A.W.G             | red   |
| BT012-704  | MDFNY1.25-250 | 0.8 × 6.35            | 6.35      | 7.7 | 23.0 | 11.0 | 4.0 | 1.7 | 0.8  | 2   | 0.5-1.5mm <sup>2</sup> |       |



Imax= 15A Material:Brass Insulating Cover Material: Nylon

| BEISIT NO. | TYPE       | Connect specification | DIMENSION |     |      |      |     |     |      |     | A.W.G mm <sup>2</sup>  | Color |
|------------|------------|-----------------------|-----------|-----|------|------|-----|-----|------|-----|------------------------|-------|
|            |            |                       | W         | F   | L    | B    | Dφ  | Cφ  | T    | Fig |                        |       |
| BT012-705  | FDFNY2-250 | 0.8 × 6.35            | 6.6       | 7.3 | 23.0 | 12.0 | 4.5 | 2.3 | 0.45 | 1   | 16-14A.W.G             | blue  |
| BT012-706  | MDFNY2-250 | 0.8 × 6.35            | 6.35      | 7.7 | 24.0 | 11.0 | 4.5 | 2.3 | 0.8  | 2   | 1.5-2.5mm <sup>2</sup> |       |

Imax= 24A Material:Brass Insulating Cover Material: Nylon

| BEISIT NO. | TYPE         | Connect specification | DIMENSION |     |      |      |     |     |      |     | A.W.G mm <sup>2</sup> | Color  |
|------------|--------------|-----------------------|-----------|-----|------|------|-----|-----|------|-----|-----------------------|--------|
|            |              |                       | W         | F   | L    | B    | Dφ  | Cφ  | T    | Fig |                       |        |
| BT012-707  | FDFNY5.5-250 | 0.8 × 6.35            | 6.6       | 7.3 | 23.0 | 12.0 | 5.0 | 3.4 | 0.45 | 1   | 12-10A.W.G            | yellow |
| BT012-708  | MDFNY5.5-250 | 0.8 × 6.35            | 6.35      | 7.7 | 24.0 | 11.0 | 5.0 | 3.4 | 0.8  | 2   | 4-6mm <sup>2</sup>    |        |

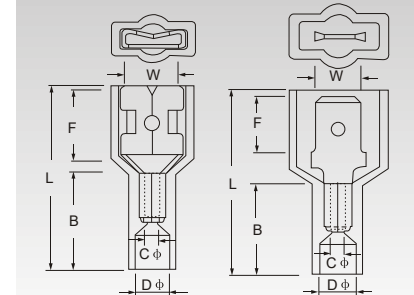


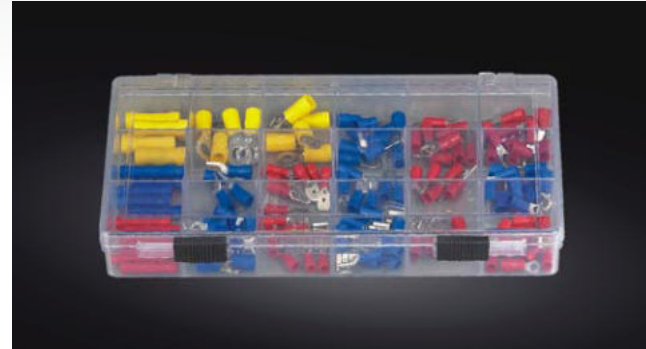
Fig 1

Fig 2



BT-230T

| SIZE       | QTY | ITEM NO.    | QTY |
|------------|-----|-------------|-----|
| RV1.25-3.2 | 15  | SV1.25-5    | 15  |
| RV1.25-4   | 15  | SV1.25-5    | 15  |
| RV1.25-5   | 10  | FDD1.25-250 | 15  |
| RV2-3.2    | 15  | FDD2-250    | 15  |
| RV2-4      | 15  | MDD125-250  | 15  |
| RV2-5      | 10  | MDD2-250    | 15  |
| RV5.5-5    | 5   | BV1         | 10  |
| RV5.5-6    | 5   | BV2         | 10  |
| SV1.25-4   | 15  | BV5         | 5   |



BT-150T

| SIZE       | QTY | ITEM NO.    | QTY |
|------------|-----|-------------|-----|
| RV1.25-3.5 | 10  | SV1.25-4    | 10  |
| RV1.25-42  | 10  | SV2-5       | 10  |
| RV1.25-5   | 10  | FDD1.25-250 | 10  |
| RV2-3.2    | 10  | MD1.25-250  | 10  |
| RV2-42     | 10  | FDD2-250    | 10  |
| RV2-5      | 10  | MDD2-250    | 10  |
| RV5.5-5    | 5   | BV1         | 10  |
| RV5.5-6    | 5   | BV2         | 10  |
| SV1.25-3.2 | 10  | BV5         | 5   |



BT-66T

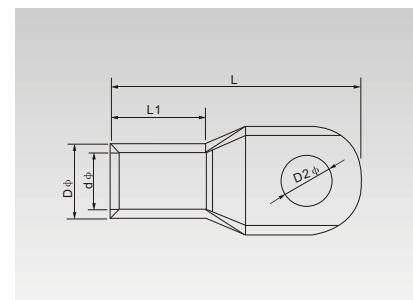
| SIZE           | QTY | ITEM NO. | QTY |
|----------------|-----|----------|-----|
| SV5.5-5        | 5   | RV5.5-6  | 8   |
| FDD1.25-250    | 4   | BV1      | 5   |
| MDD1.25-250    | 4   | BV2      | 5   |
| RV1.25-5       | 8   | RV2-5    | 8   |
| SV2-5          | 8   | RV2-6    | 8   |
| RV2-3.2        | 10  | FDD2-250 | 5   |
| RV5.5-5        | 7   | MDD2-250 | 5   |
| Crimping plier |     |          | 1   |



BT-84T

| SIZE        | QTY | ITEM NO. | QTY |
|-------------|-----|----------|-----|
| RV1.25-32   | 5   | RV2-4    | 5   |
| RV2-32      | 5   | RV2-5    | 4   |
| SV1.25-4    | 5   | SV1.25-5 | 4   |
| SV2-4       | 5   | SV2-5    | 4   |
| FDD1.25-250 | 5   | BV1      | 5   |
| FDD2-250    | 5   | BV2      | 4   |
| MDD1.25-250 | 5   | BV5      | 4   |
| MDD2-250    | 5   | RV5.5-5  | 4   |
| RV1.25-5    | 5   | RV5.5-6  | 4   |





| BEISIT NO. | TYPE       | d2φ (mm) | DIMENSION |          |          |         | Conductor section (mm <sup>2</sup> ) |
|------------|------------|----------|-----------|----------|----------|---------|--------------------------------------|
|            |            |          | dφ<br>mm  | Dφ<br>mm | L1<br>mm | L<br>mm |                                      |
| BT012-801  | SC 1.5-5   | 5.3      | 1.9       | 3.35     | 6.5      | 18.0    | 1.5                                  |
| BT012-802  | SC 2.5-4   | 4.3      | 2.6       | 4.0      | 7.0      | 18.0    | 2.5                                  |
| BT012-803  | SC 2.5-5   | 5.3      | 2.6       | 4.0      | 7.0      | 20.0    | 2.5                                  |
| BT012-804  | SC 4-5     | 5.3      | 3.2       | 4.8      | 7.5      | 20.5    | 4                                    |
| BT012-805  | SC 4-6     | 6.4      | 3.2       | 4.8      | 7.5      | 22.0    | 4                                    |
| BT012-806  | SC 6-5     | 5.3      | 3.7       | 5.3      | 8.0      | 24.0    | 6                                    |
| BT012-807  | SC 6-6     | 6.4      | 3.7       | 5.3      | 8.0      | 24.0    | 6                                    |
| BT012-808  | SC 10-6    | 6.4      | 4.5       | 6.3      | 9.0      | 24.0    | 10                                   |
| BT012-809  | SC 10-8    | 8.4      | 4.5       | 6.3      | 9.0      | 25.0    | 10                                   |
| BT012-810  | SC 16-6    | 6.4      | 5.7       | 7.5      | 11.0     | 27.5    | 16                                   |
| BT012-811  | SC 16-8    | 8.4      | 5.7       | 7.5      | 11.0     | 29.5    | 16                                   |
| BT012-812  | SC 25-6    | 6.4      | 7.2       | 9.0      | 13.5     | 34.0    | 25                                   |
| BT012-813  | SC 25-8    | 8.4      | 7.2       | 9.0      | 13.5     | 34.0    | 25                                   |
| BT012-814  | SC 35-8    | 8.4      | 8.5       | 10.8     | 14.5     | 37.0    | 35                                   |
| BT012-815  | SC 35-10   | 10.5     | 8.5       | 10.8     | 14.5     | 38.0    | 35                                   |
| BT012-816  | SC 50-8    | 8.4      | 9.8       | 12.5     | 17.0     | 42.5    | 50                                   |
| BT012-817  | SC 50-10   | 10.5     | 9.8       | 12.5     | 17.0     | 44.0    | 50                                   |
| BT012-818  | SC 70-10   | 10.5     | 11.5      | 14.5     | 19.5     | 50.0    | 70                                   |
| BT012-819  | SC 70-12   | 13.0     | 11.5      | 14.5     | 19.5     | 50.0    | 70                                   |
| BT012-820  | SC 95-10   | 10.5     | 13.7      | 17.0     | 23.5     | 57.0    | 95                                   |
| BT012-821  | SC 95-12   | 13.0     | 13.7      | 17.0     | 23.5     | 57.0    | 95                                   |
| BT012-822  | SC 120-12  | 13.0     | 15.0      | 19.0     | 26.0     | 63.0    | 120                                  |
| BT012-823  | SC 120-16  | 17.0     | 15.0      | 19.0     | 26.0     | 63.0    | 120                                  |
| BT012-824  | SC 150-12  | 13.0     | 16.7      | 21.0     | 29.0     | 71.0    | 150                                  |
| BT012-825  | SC 150-16  | 17.0     | 16.7      | 21.0     | 29.0     | 71.0    | 150                                  |
| BT012-826  | SC 185-16  | 17.0     | 18.5      | 23.0     | 33.0     | 79.0    | 185                                  |
| BT012-827  | SC 240-16  | 17.0     | 21.0      | 26.0     | 40.0     | 91.0    | 240                                  |
| BT012-828  | SC 240-20  | 21.0     | 21.0      | 26.0     | 40.0     | 92.0    | 240                                  |
| BT012-829  | SC 300-16  | 17.0     | 24.0      | 30.0     | 44.0     | 100.0   | 300                                  |
| BT012-830  | SC 300-20  | 21.0     | 24.0      | 30.0     | 44.0     | 102.0   | 300                                  |
| BT012-831  | SC 400-16  | 17.0     | 27.0      | 34.0     | 46.0     | 102.0   | 400                                  |
| BT012-832  | SC 400-20  | 21.0     | 27.0      | 34.0     | 46.0     | 113.0   | 400                                  |
| BT012-833  | SC 500-16  | 17.0     | 30.0      | 38.0     | 50.0     | 123.0   | 500                                  |
| BT012-834  | SC 500-20  | 21.0     | 30.0      | 38.0     | 50.0     | 123.0   | 500                                  |
| BT012-835  | SC 630-20  | 21.0     | 35.0      | 45.0     | 56.0     | 135.0   | 630                                  |
| BT012-836  | SC 800-BL  | -        | 39.0      | 50.0     | 60.0     | 170.0   | 800                                  |
| BT012-837  | SC 1000-BL | -        | 44.0      | 56.0     | 87.0     | 200.0   | 1000                                 |



用途

DT(G)適用配電裝置中電綫、電力電纜與電器設備的連接。采用(T2)銅管料壓制，表面鍍錫。

JG適用於配電裝置中電綫、電力電纜與電器設備的連接。采用(T2)銅管料壓制，表面鍍錫。

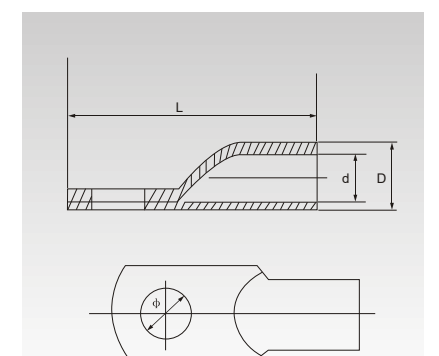
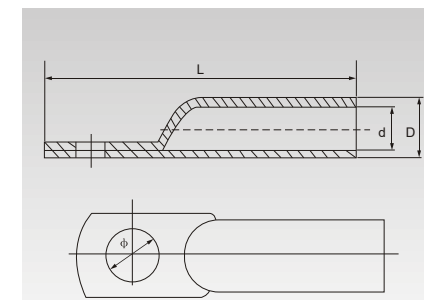
APPLICATION

These products are applicable to the connection of wires in distribution equipment power supply cable with electronic apparatus. it is made of (T2) copper tube by die cast and coated tin.

These products are applicable to the connection of wires in distribution equipment power supply cable with electronic apparatus. it is made of (T2) copper tube by die cast and coated tin.

| BEISIT NO. | TYPE      | φ    | D  | d  | L   |
|------------|-----------|------|----|----|-----|
| BT012-838  | DT(G)-10  | 6.2  | 8  | 5  | 52  |
| BT012-839  | DT(G)-16  | 6.2  | 9  | 6  | 57  |
| BT012-840  | DT(G)-25  | 6.2  | 10 | 7  | 62  |
| BT012-841  | DT(G)-35  | 8.5  | 11 | 8  | 66  |
| BT012-842  | DT(G)-50  | 8.5  | 13 | 10 | 72  |
| BT012-843  | DT(G)-70  | 10.5 | 16 | 12 | 80  |
| BT012-844  | DT(G)-95  | 10.5 | 18 | 14 | 85  |
| BT012-845  | DT(G)-120 | 12.5 | 20 | 15 | 96  |
| BT012-846  | DT(G)-150 | 12.5 | 23 | 17 | 102 |
| BT012-847  | DT(G)-185 | 14.5 | 25 | 19 | 114 |
| BT012-848  | DT(G)-240 | 16.5 | 27 | 21 | 120 |
| BT012-849  | DT(G)-300 | 16.5 | 31 | 24 | 135 |
| BT012-850  | DT(G)-400 | 18.5 | 34 | 26 | 150 |
| BT012-851  | DT(G)-500 | 20.5 | 38 | 30 | 170 |
| BT012-852  | DT(G)-630 | 22.5 | 45 | 35 | 210 |
| BT012-853  | DT(G)-800 | 22.5 | 50 | 40 | 270 |

| BEISIT NO. | TYPE   | φ    | D  | d  | L   |
|------------|--------|------|----|----|-----|
| BT012-854  | JG-10  | 6.2  | 8  | 5  | 38  |
| BT012-855  | JG-16  | 8.4  | 9  | 6  | 41  |
| BT012-856  | JG-25  | 8.4  | 10 | 7  | 46  |
| BT012-857  | JG-35  | 8.5  | 11 | 8  | 52  |
| BT012-858  | JG-50  | 8.5  | 13 | 10 | 54  |
| BT012-859  | JG-70  | 10.5 | 16 | 12 | 61  |
| BT012-860  | JG-95  | 10.5 | 18 | 14 | 66  |
| BT012-861  | JG-120 | 12.5 | 20 | 15 | 73  |
| BT012-862  | JG-150 | 12.5 | 23 | 17 | 77  |
| BT012-863  | JG-185 | 14.5 | 25 | 19 | 86  |
| BT012-864  | JG-240 | 16.5 | 27 | 21 | 93  |
| BT012-865  | JG-300 | 16.5 | 31 | 24 | 103 |
| BT012-866  | JG-400 | 18.5 | 34 | 26 | 113 |
| BT012-867  | JG-500 | 20.5 | 38 | 30 | 124 |
| BT012-868  | JG-630 | 22.5 | 45 | 35 | 140 |
| BT012-869  | JG-800 | 22.5 | 50 | 40 | 170 |

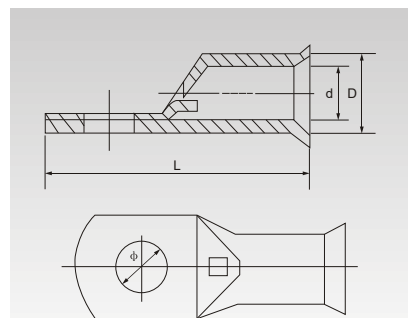
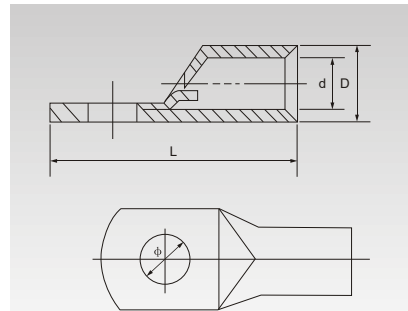




用途 APPLICATION

適用於標稱截面 1.5-1000mm<sup>2</sup>電力電纜式電綫的銅導體與電氣高設備的連接，特點，採用管料含銅量> 99.9%的高純T2銅管製造，長期工作溫度-55℃-150℃，表面鍍錫。

These products are suitable for the connection of copper conductors(section 1.5-100mm<sup>2</sup>) in power cable with electronic equipment they are made of with higher 99.9 percent pure copper tube T2 and coated with tin. Working temperature -55℃-150℃.



| BEISIT NO. | TYPE         | φ                        | D    | d    | L    |
|------------|--------------|--------------------------|------|------|------|
| BT012-870  | SC(JGY)-1.5  | φ4.2, φ5.2               | 3.5  | 1.8  | 18   |
| BT012-871  | SC(JGY)-2.5  | φ4.2, φ5.2, φ6.2         | 4    | 2.5  | 19   |
| BT012-872  | SC(JGY)-4    | φ5.2, φ6.2               | 4.8  | 3.1  | 21   |
| BT012-873  | SC(JGY)-6    | φ5.2, φ6.2, φ8.2         | 5.5  | 3.8  | 24   |
| BT012-874  | SC(JGY)-10   | φ6.2, φ8.2               | 6.8  | 4.8  | 25.5 |
| BT012-875  | SC(JGY)-16   | φ6.2, φ8.2, φ10.5        | 7.5  | 5.5  | 30.5 |
| BT012-876  | SC(JGY)-25   | φ6.2, φ8.2, φ10.5        | 9    | 7    | 34   |
| BT012-877  | SC(JGY)-35   | φ6.2, φ8.2, φ10.5, φ12.5 | 10.5 | 8.2  | 38   |
| BT012-878  | SC(JGY)-50   | φ8.2, φ10.5, φ12.5       | 12.5 | 9.8  | 45   |
| BT012-879  | SC(JGY)-70   | φ8.2, φ10.5, φ12.5       | 14.5 | 11.5 | 50   |
| BT012-880  | SC(JGY)-95   | φ10.5, φ12.5             | 17.5 | 13.8 | 55.5 |
| BT012-881  | SC(JGY)-120  | φ12.5, φ16.5             | 19.5 | 15.5 | 63   |
| BT012-882  | SC(JGY)-150  | φ12.5, φ16.5             | 21   | 16.5 | 71   |
| BT012-883  | SC(JGY)-185  | φ16.5                    | 23.5 | 18.8 | 78   |
| BT012-884  | SC(JGY)-240  | φ16.5                    | 26.5 | 21   | 92   |
| BT012-885  | SC(JGY)-300  | φ16.5, φ20.5             | 30   | 24   | 102  |
| BT012-886  | SC(JGY)-400  | φ16.5, φ20.5             | 34   | 26.5 | 113  |
| BT012-887  | SC(JGY)-500  | φ16.5, φ20.5             | 38   | 30   | 123  |
| BT012-888  | SC(JGY)-630  | φ20.5                    | 45   | 35   | 135  |
| BT012-889  | SC(JGY)-800  | φ22.5                    | 50   | 39   | 170  |
| BT012-890  | SC(JGY)-1000 | φ22.5                    | 56   | 44   | 200  |

| BEISIT NO. | TYPE         | φ                        | D    | d    | L    |
|------------|--------------|--------------------------|------|------|------|
| BT012-891  | SC(JGB)-1.5  | φ4.2, φ5.2               | 3.5  | 1.8  | 18   |
| BT012-892  | SC(JGB)-2.5  | φ4.2, φ5.2, φ6.2         | 4    | 2.5  | 19   |
| BT012-893  | SC(JGB)-4    | φ5.2, φ6.2               | 4.8  | 3.1  | 21   |
| BT012-894  | SC(JGB)-6    | φ5.2, φ6.2, φ8.2         | 5.5  | 3.8  | 24   |
| BT012-895  | SC(JGB)-10   | φ6.2, φ8.2               | 6.8  | 4.8  | 25.5 |
| BT012-896  | SC(JGB)-16   | φ6.2, φ8.2, φ10.5        | 7.5  | 5.5  | 30.5 |
| BT012-897  | SC(JGB)-25   | φ6.2, φ8.2, φ10.5        | 9    | 7    | 34   |
| BT012-898  | SC(JGB)-35   | φ6.2, φ8.2, φ10.5, φ12.5 | 10.5 | 8.2  | 38   |
| BT012-899  | SC(JGB)-50   | φ8.2, φ10.5, φ12.5       | 12.5 | 9.8  | 45   |
| BT012-900  | SC(JGB)-70   | φ8.2, φ10.5, φ12.5       | 14.5 | 11.5 | 50   |
| BT012-901  | SC(JGB)-95   | φ10.5, φ12.5             | 17.5 | 13.8 | 55.5 |
| BT012-902  | SC(JGB)-120  | φ12.5, φ16.5             | 19.5 | 15.5 | 63   |
| BT012-903  | SC(JGB)-150  | φ12.5, φ16.5             | 21   | 16.5 | 71   |
| BT012-904  | SC(JGB)-185  | φ16.5                    | 23.5 | 18.8 | 78   |
| BT012-905  | SC(JGB)-240  | φ16.5                    | 26.5 | 21   | 92   |
| BT012-906  | SC(JGB)-300  | φ16.5, φ20.5             | 30   | 24   | 102  |
| BT012-907  | SC(JGB)-400  | φ16.5, φ20.5             | 34   | 26.5 | 113  |
| BT012-908  | SC(JGB)-500  | φ16.5, φ20.5             | 38   | 30   | 123  |
| BT012-909  | SC(JGB)-630  | φ20.5                    | 45   | 35   | 135  |
| BT012-910  | SC(JGB)-800  | φ22.5                    | 50   | 39   | 170  |
| BT012-911  | SC(JGB)-1000 | φ22.5                    | 56   | 44   | 200  |



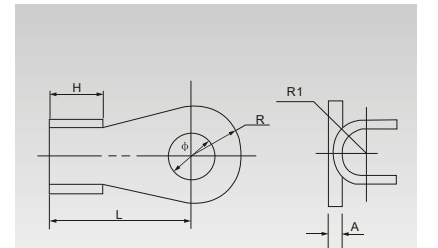
用途 APPLICATION

適用於配電裝置中導綫連接。

Suitable for the connection of copper conductors in distribution equipment.

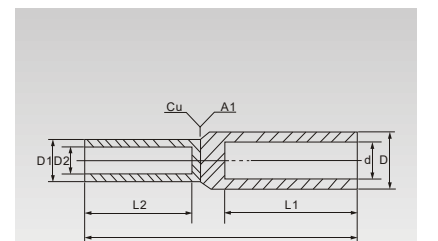
連接管適用於配電裝置中各種圓型，半圓扇型電綫，電力電纜之間的連接。GTL系列堵油型連接管。採用摩擦焊工藝製造，質量可靠。

These products are applicable connect the circular wire and hemicycle-ser tor wire in distribution equipment or power supply cables. GTL series connecting tube is made of frictionwelding or aft, both top quality.



| BEISIT NO. | TYPE    | D    | d    | D1   | L1   | L2   | L   |
|------------|---------|------|------|------|------|------|-----|
| BT012-912  | OT10A   | 5.2  | 6    | 14.5 | 4.5  | 2    | 0.8 |
| BT012-913  | OT20A   | 6.2  | 7    | 17   | 5.5  | 2.5  | 1   |
| BT012-914  | OT30A   | 6.2  | 8.2  | 19   | 5.8  | 3.2  | 1.2 |
| BT012-915  | OT40A   | 6.2  | 9    | 19.5 | 6.2  | 3.5  | 1.2 |
| BT012-916  | OT50A   | 6.2  | 9    | 21.5 | 6.5  | 3.5  | 1.2 |
| BT012-917  | OT60A   | 8.2  | 10   | 23   | 7    | 4    | 1.4 |
| BT012-918  | OT80A   | 8.2  | 11   | 25   | 8    | 4.5  | 1.5 |
| BT012-919  | OT100A  | 8.2  | 12   | 29   | 8.5  | 5    | 1.5 |
| BT012-920  | OT150A  | 10.2 | 12   | 31   | 9    | 5.5  | 1.6 |
| BT012-921  | OT200A  | 10.2 | 14   | 33   | 10   | 6    | 1.7 |
| BT012-922  | OT250A  | 10.2 | 15.5 | 36   | 10.5 | 6.5  | 2   |
| BT012-923  | OT300A  | 12.2 | 16   | 40   | 11.5 | 7    | 2   |
| BT012-924  | OT400A  | 12.2 | 18   | 43   | 13   | 8    | 2.2 |
| BT012-925  | OT500A  | 14.2 | 20   | 46   | 14.5 | 8.5  | 2.4 |
| BT012-926  | OT600A  | 16.2 | 22   | 50.5 | 16   | 10.5 | 2.8 |
| BT012-927  | OT800A  | 18.2 | 26   | 61   | 17.5 | 12.5 | 3.2 |
| BT012-928  | OT1000A | 18.2 | 33   | 66   | 20.5 | 15.5 | 3.8 |

| BEISIT NO. | TYPE    | D  | d    | D1 | L1 | L2 | L   |
|------------|---------|----|------|----|----|----|-----|
| BT012-929  | GTL-16  | 10 | 6    | 9  | 30 | 30 | 70  |
| BT012-930  | GTL-25  | 12 | 7    | 10 | 33 | 30 | 75  |
| BT012-931  | GTL-35  | 14 | 8.5  | 11 | 40 | 30 | 85  |
| BT012-932  | GTL-50  | 16 | 9.8  | 13 | 42 | 32 | 95  |
| BT012-933  | GTL-70  | 18 | 11.5 | 15 | 50 | 38 | 105 |
| BT012-934  | GTL-95  | 21 | 13.5 | 17 | 50 | 40 | 110 |
| BT012-935  | GTL-120 | 23 | 15   | 19 | 55 | 42 | 112 |
| BT012-936  | GTL-150 | 25 | 17   | 21 | 55 | 44 | 118 |
| BT012-937  | GTL-185 | 27 | 18.5 | 23 | 60 | 46 | 125 |
| BT012-938  | GTL-240 | 30 | 21   | 26 | 60 | 54 | 130 |
| BT012-939  | GTL-300 | 34 | 23   | 28 | 65 | 56 | 145 |
| BT012-940  | GTL-400 | 38 | 27   | 30 | 70 | 60 | 155 |
| BT012-941  | GTL-500 | 43 | 29   | 34 | 75 | 65 | 165 |



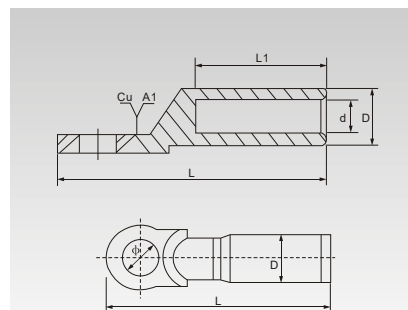
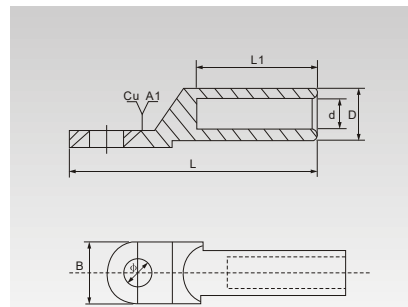


用途

DTL系列銅鋁接綫端子適用於配電裝置中各種圓型、半圓扇型鋁綫、電力電纜與電氣設備銅端的過渡連接。使用鋁材為L3，銅材為T2。產品採用摩擦焊工藝製造，具有焊縫強調高，通電性能好，抗電化腐蝕，使用壽命長等特點。

APPLICATION

DTL series of copper - aluminum wiring terminals are suitable for transition connection of the circular aluminium wires, hemicycle - sector aluminium wires, power supply cables in the distribution equipment and copper terminals of the electrical equipment. The material of aluminium and copper is that of L3 and T2 respectively. The technology of friction welding is wonderfully adopted. Therefore they have distinguishing features of strong weld intensity, good nature in electrification, resistant galvanic corrosion and long service life.



| BEISIT NO. | TYPE      | φ    | D  | d    | L   | L1 | B    |
|------------|-----------|------|----|------|-----|----|------|
| BT012-942  | DTL-1-10  | 8.5  | 10 | 6    | 68  | 28 | 16   |
| BT012-943  | DTL-1-16  | 8.5  | 11 | 6    | 70  | 30 | 16   |
| BT012-944  | DTL-1-25  | 8.5  | 12 | 7    | 75  | 34 | 18   |
| BT012-945  | DTL-1-35  | 10.5 | 14 | 8.5  | 85  | 38 | 20.5 |
| BT012-946  | DTL-1-50  | 10.5 | 16 | 9.5  | 90  | 40 | 23   |
| BT012-947  | DTL-1-70  | 12.5 | 18 | 11.5 | 102 | 48 | 26   |
| BT012-948  | DTL-1-95  | 12.5 | 21 | 13.5 | 112 | 50 | 28   |
| BT012-949  | DTL-1-120 | 14.5 | 23 | 15   | 120 | 53 | 30   |
| BT012-950  | DTL-1-150 | 14.5 | 25 | 16.5 | 126 | 56 | 34   |
| BT012-951  | DTL-1-185 | 16.5 | 27 | 18.5 | 133 | 58 | 37   |
| BT012-952  | DTL-1-240 | 16.5 | 30 | 21   | 140 | 60 | 40   |
| BT012-953  | DTL-1-300 | 21   | 34 | 23.5 | 160 | 65 | 50   |
| BT012-954  | DTL-1-400 | 21   | 38 | 27   | 170 | 70 | 50   |
| BT012-955  | DTL-1-500 | 21   | 47 | 29   | 225 | 75 | 60   |
| BT012-956  | DTL-1-630 | -    | 54 | 35   | 245 | 80 | 80   |
| BT012-957  | DTL-1-800 | -    | 60 | 38   | 270 | 90 | 100  |

| BEISIT NO. | TYPE      | φ  | D  | d    | L   | L1 |
|------------|-----------|----|----|------|-----|----|
| BT012-958  | DTL-2-16  | 13 | 16 | 5.5  | 87  | 42 |
| BT012-959  | DTL-2-25  | 13 | 16 | 6.5  | 87  | 42 |
| BT012-960  | DTL-2-35  | 13 | 16 | 8    | 87  | 42 |
| BT012-961  | DTL-2-50  | 13 | 20 | 9    | 87  | 43 |
| BT012-962  | DTL-2-70  | 13 | 20 | 11   | 87  | 43 |
| BT012-963  | DTL-2-95  | 13 | 20 | 12.5 | 87  | 43 |
| BT012-964  | DTL-2-120 | 13 | 25 | 13.5 | 111 | 60 |
| BT012-965  | DTL-2-150 | 13 | 25 | 15.5 | 111 | 60 |
| BT012-966  | DTL-2-185 | 13 | 32 | 17.5 | 116 | 60 |
| BT012-967  | DTL-2-240 | 13 | 32 | 19.5 | 116 | 60 |
| BT012-968  | DTL-2-300 | 13 | 34 | 22.5 | 120 | 62 |



IPC1 絕緣穿刺線夾

IPC1 絕緣穿刺線夾



IPC-051FVO



IPC-371FVO



IPC-041FJ



IPC-051FJ



IPC-101FJ



IPC-121FJ



IPC-151FJ



IPC-201FJ



IPC-251FJ



IPC-271FJ



IPC-281FJ



IPC-371FJ



IPC-401FJ



IPC-431FJ



IPC-451FJ



IPC-551FJ

應用範圍

適用於建築配電系統絕緣電纜支撐、低壓架空絕緣電纜連接、低壓絕緣進戶電纜支撐、路燈配電系統、普通電纜現場分支、地下電網電纜連接、草坪花壇照明線路連接等。

Application Scope

Applied to Tconnection of structural distribution system, The connection of airlo w vol tag e insulated cable, or indoor electric wire, Distribution system of street lamp.

可帶電或停電作業。

Can be installed with power or can work with out power.

產品應用範圍

高速公路、鐵路隧道  
運動場及比賽場館照明連接  
市政工程及地下電網改造  
高級住宅小區

Application Scope

High way、railway tunnel  
Lighting connects for playground and arena  
City planning and underground electricityreconstruction  
High uptown

技術數據 Technical Data

| 型號<br>Type | 主線截面<br>(mm <sup>2</sup> )<br>Main line<br>section | 分支截面<br>(mm <sup>2</sup> )<br>Branch<br>section | 標稱電流<br>(A)<br>Nominal<br>current | 螺栓 Bolt<br>數量<br>Quantity | H<br>(Nm) | 力距螺母<br>(mm)<br>Piercing<br>depth |
|------------|--|---|-----------------------------------|---------------------------|-----------|-----------------------------------|
| IPC 041 FJ | 6-35   | 1.5-10  | 86                                | 1×M8                      | 13        | F1309                             |
| IPC 051 FJ | 16-95  | 1.5-10  | 86                                | 1×M8                      | 13        | F1309                             |
| IPC 081 FJ | 70-240   | 1.5-10  | 86                                | 1×M8                      | 13        | F1309                             |
| IPC 101 FJ | 6-54   | (2.5)6-35                                       | 200                               | 1×M8                      | 13        | F1309                             |
| IPC 121 FJ | 25-95  | 2.5-25  | 161                               | 1×M8                      | 13        | F1309                             |
| IPC 151 FJ | 25-95  | (2.5)6-35                                       | 200                               | 1×M8                      | 13        | F1314                             |
| IPC 201 FJ | 25-95  | 25-95   | 377                               | 1×M8                      | 13        | F1318                             |
| IPC 211 FJ | 35-95  | 16-70   | 310                               | 1×M8                      | 13        | F1318                             |
| IPC 231 FJ | 25-95  | 10-50   | 242                               | 1×M8                      | 13        | F1314                             |
| IPC 241 FJ | 50-150   | (2.5)6-35                                       | 200                               | 1×M8                      | 13        | F1314                             |
| IPC 251 FJ | 50-150   | 25-95   | 377                               | 1×M8                      | 13        | F1318                             |
| IPC 271 FJ | 35-120   | 35-120  | 437                               | 1×M8                      | 13        | F1318                             |
| IPC 281 FJ | 50-185   | (2.5)6-35                                       | 200                               | 1×M8                      | 13        | F1314                             |
| IPC 301 FJ | 25-95  | 25-95   | 377                               | 1×M8                      | 13        | F1314                             |
| IPC 371 FJ | 35-150   | 35-150  | 504                               | 1×M8                      | 13        | F1314                             |
| IPC 401 FJ | 50-185   | 50-150  | 504                               | 2×M8                      | 13        | F1318                             |
| IPC 431 FJ | 70-240   | 16-95   | 377                               | 2×M10                     | 17        | F1720                             |
| IPC 451 FJ | 95-240   | 95-240  | 460                               | 2×M10                     | 17        | F1725                             |
| IPC 551 FJ | 120-400  | 95-240  | 679                               | 2×M10                     | 17        | F1737                             |



IPC1 絕緣穿刺線夾



應用範圍

適用於10KV及以下架空絕緣導線接地保護及臨時驗電。

Application Scope

Applied to 10KV following air insulated lead earth protection and temporary prove electricity

電力電纜絕緣穿刺線夾優越性能:

安裝簡便

不需剝去電纜的絕緣皮即可做電纜分支，接頭處完全絕緣。  
不需截斷主電纜，可在電纜任意位置做分支。  
安裝簡便可靠，祇需用套筒扳手，可帶電安裝。

Simple installation

Can be branch of cable without stripping the insulated and the joint is completely insulated.  
Make branch in the random location of cable without cutting off the main cable.  
Simple and reliable installation, just need sleeve spanner, can be installed with on live line.

使用安全

接頭耐扭曲、防震、防水、防電化腐蝕老化，無需維護。  
在國外已成功使用30多年。  
在國內也得到了應用施工單位的普遍推廣與應用，在2008年暴雪冰凍嚴峻考驗下：沒有任何一處電纜因為使用我們BEISIT品牌絕緣穿刺線夾引發斷電事故。同時也沒有任何一處電纜因為冰凍導致自身的質量增加，而從我們的絕緣穿刺線夾穿刺刀片口中中和絕緣對接管中脫落。再次證明我們質量是穩定的，安全性能是同類產品無法比擬的。

Safe use

The joint has good resistance to distortion, quake, wet, electromagnetic corrosion and aging, need no maintenance.  
Has been used successfully for 30 years.  
In China they are widely used by some contractors, under the extreme storm in 2008, there had no fault of power off due to our BEISIT brand insulation piercing clamps, also the operating cable did not drop out of our existing clamps resulting from heavy covered ice. These are to prove that the quality of our device are very reliable again.

節約成本

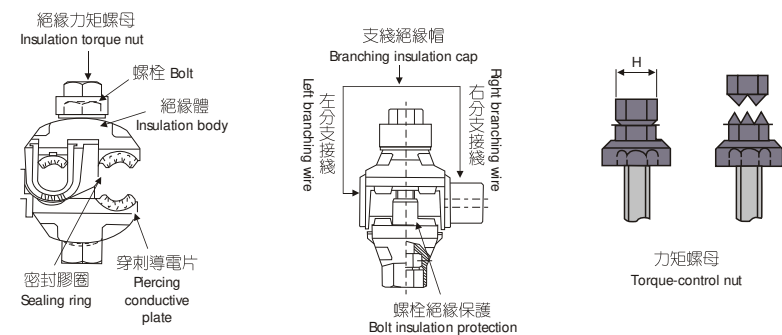
安裝空間極小，節省橋架和土建費用。  
建築中應用，不需要終端箱、分線箱，不需電纜返線，節省電纜投資。  
電纜 + 線夾的費用低於其他供電系統。

Economical cost

Small installation space, save the cost of bridge and land construction.  
In structural application, there need no terminal box, junction box and return wire of cable, save cable cost.  
The cost of cables and clamps is lower than other power supply system.

絕緣穿刺線夾結構圖

Structure picture



IPC10 絕緣穿刺線夾

簡易安裝操作示意圖

Simple installation operation sketch map



連接主線，如果主線電纜有兩層絕緣層，則把插入端的第一層絕緣剝去一定長度。

Insert the main wire, if there are two lays of insulated lay in the main cable, should strip a certain length of the first insulated lay from inserted end.



把支線完全插入到電纜帽套中。  
Put the branch wire into the cap sheath fully.



用尺寸相應的套筒扳手旋緊螺母。  
Screw the nut with the sleeve spanner.



繼續用力旋緊螺母直到頂端斷裂脫落。安裝完成  
Screw the nut continually until the top part is cracked and dropped down.

鑒於目前市場上出現假冒偽劣BEISIT絕緣穿刺線夾的產品，為了您及貴公司的權益，我公司鄭重提醒您及貴公司：請關注進貨渠道！如有任何疑問，請垂詢！謝謝合作！我們將竭誠為您服務！

Due currently there has counterfeits of BEISIT insulation piercing clamps, in order to protect your rights and interests, we formally remind you of paying attention to the goods origin, if any problem, please contact us, thanks for your cooperation, we will try best to serve you!

IPC10 絕緣穿刺線夾

IPC10 Insulation Piercing Connectors



IPC-271FJ

應用範圍

適用於10KV架空絕緣導線的支持和接續。

Application Scope

Applicable to branch connection and succession of 10KV overhead insulated lead.

技術數據 Technical Data

| 型號<br>Type    | 主線截面<br>(mm <sup>2</sup> )<br>Main line section | 分支截面<br>(mm <sup>2</sup> )<br>Branch section | 標稱電流<br>(A)<br>Nominal current | 螺栓 Bolt<br>數量<br>Quantity | H<br>(Nm)  | 穿刺深度<br>(mm)<br>Piercing depth |
|---------------|---|--|--------------------------------|---------------------------|------------|--------------------------------|
| IPC10-120/120 | 50-120  | 50-120                                       | 437                            | 2XM10                     | H17 (25Nm) | 4.5-6.0                        |
| IPC10-240/185 | 95-240  | 95-240                                       | 679                            | 2XM10                     | H17 (37Nm) | 4.5-6.0                        |
| IPC10-300/95  | 95-300  | 35-95  | 679                            | 2XM10                     | H17 (37Nm) | 4.5-6.0                        |
| 來圖定制          | 300   | 任意   | 530                            | 2XM10                     | H17 (37Nm) | 4.5-6.0                        |
| 來圖定制          | 400   | 任意   | 679                            | 2XM10                     | H17 (37Nm) | 4.5-6.0                        |

絕緣穿刺接地線夾 Insulation Piercing ground connectors



技術數據 Technical Data

| 型號<br>Type   | 主線截面<br>(mm <sup>2</sup> )<br>Main line section | 穿刺深度<br>(mm)<br>Piercing depth | 穿刺直徑<br>(mm)<br>Piercing diameter | 螺栓 Bolt<br>數量<br>Quantity | H<br>(Nm)  |
|--------------|---|--------------------------------|-----------------------------------|---------------------------|------------|
| IPC-50/120TD | 50-120  | 3                              | 19.9                              | 2XM8                      | H13 (18Nm) |
| IPC-95/240TD | 95-240  | 3                              | 26.1                              | 2XM10                     | H17 (25Nm) |
| IPC-95/300TD | 95-300  | 4.5                            | 31.1                              | 2XM10                     | H17 (37Nm) |



### 應用範圍

用于建築、隧道、高級住宅群、國家黨政機關、重要設施等對防火有特殊要求的耐火(NH)或阻燃(ZR)電纜的分支連接。

主線：絕緣銅或鋁

支線：絕緣銅或鋁

### 可帶電作業或停電作業

- 全部部件均帶火焰阻燃性能連接器(通過 960°C灼熱絲試驗)。
- 殼體採用耐腐蝕、抗氣候變化、抗紫外線的高強度絕緣材料制成。
- 配備的恆定穿刺緊固力矩螺母，使安裝更為簡便、安全、快捷。
- 穿刺接觸部位和支線端蓋具有高等級防水功能(IP27)，水中耐壓達6KV。
- 支線端蓋可根據需要置于左端或右端。

It is used in the branching connections of flame-resistant (NH) or flameproof (ZR) cables in construction, tunnel, super living apartments, government and other important facilities and etc.

Main wire: Insulated copper or Aluminium

Branching wire: Insulated copper or Aluminium It is allowed to be operated under energization or de-energization

- All parts provided with flame proof connector (passed test of 960°C glowing wire)
- The enclosure adopted the corrosion resistant, weather proof, ultraviolet resistant, high tensile insulation material.
- The constant piercing torque nut can make installation more easy, safe and quick.
- The piercing position and the ending cover of branching wire have high protection grade up to IP27, waterproof, withstand voltage under water up to 6KV
- The ending cover of branching wire can be placed at left or right.

### 產品符合以下標準

- NFC 33-020(06-03)
- GB/T 5169.11-1997
- IEC 61238-1(02-03): 電氣
- UL 94 VO(10-96)和IEC60695-2-1: 2000 960°C(10-100): 材料可燃性
- UL 486E: 介質
- IEC 529(11-89): IP保護標準

### The product complies with the following standards

- NFC 33-020(06-03)
- GB/T 5169.11-1997
- IEC 61238-1(02-03): electrical
- UL 94 VO (10-96) and IEC60695-2-1: 2000 960°C(10-100): the flammability of material
- UL 486E: Medium
- IEC 529(11-89): IP protection grade

### 技術數據 Technical Data

| 型號<br>Type   | 主線截面<br>(mm <sup>2</sup> )<br>Main line section | 分支截面<br>(mm <sup>2</sup> )<br>Branch section | 標稱電流<br>(A)<br>Nominal current | 螺栓 Bolt<br>數量<br>Quantity | H<br>(Nm) | 力距螺母<br>(mm)<br>Piercing depth |
|--------------|---|--|--------------------------------|---------------------------|-----------|--------------------------------|
| IPC 041 FTVO | 6-35  | 1.5-10                                       | 77                             | 1 × M8                    | 13        | F1309                          |
| IPC 051 FTVO | 16-95   | 1.5-10                                       | 77                             | 1 × M8                    | 13        | F1309                          |
| IPC 101 FTVO | 6-50  | 2.5-35                                       | 180                            | 1 × M8                    | 13        | F1309                          |
| IPC 151 FTVO | 25-95   | (2.5)6-35                                    | 180                            | 1 × M8                    | 13        | F1314                          |
| IPC 201 FTVO | 25-95   | 25-95  | 339                            | 1 × M8                    | 13        | F1318                          |
| IPC 231 FTVO | 25-95   | 10-50  | 218                            | 1 × M8                    | 13        | F1314                          |
| IPC 241 FTVO | 35-150  | (2.5)6-35                                    | 180                            | 1 × M8                    | 13        | F1314                          |
| IPC 371 FTVO | 35-150  | 25-150                                       | 453                            | 1 × M8                    | 13        | F1318                          |
| IPC 431 FTVO | 70-240  | 16-95  | 339                            | 2 × M10                   | 17        | F1720                          |
| IPC 451 FTVO | 95-240  | 95-240                                       | 477                            | 2 × M10                   | 17        | F1725                          |

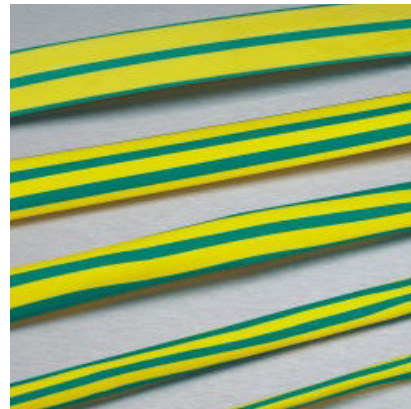


**功用:**

電綫之保護與絕緣。  
端子與電接綫頭之絕緣與保護。  
分色作用。  
防水。  
電阻電容器之保護與絕緣  
標志顏色(透光): 黑、白、紅、藍、黃、綠、棕、灰、  
橙、紫。

**APPROVED DATE:**

UL2240,105°C,660V/VW-1,CSA,125°C,660V/OFT  
F:105°C (UL, CSA合格)  
F2:125°C (UL, CSA合格)  
F32:125°C (UL, DSA合格)



| BEIST NO. | TYPE   | As Supplied |             | After Shrinkage |            | Packing (M/Roll) |
|-----------|--------|-------------|-------------|-----------------|------------|------------------|
|           |        | I.D(mm)     | Thickness   | I.D(mm)         | Thickness  |                  |
| BT013-001 | BT-1   | 1.0         | 0.2 ± 0.05  | 0.5             | 0.4 ± 0.05 | 400              |
| BT013-002 | BT-1.5 | 1.5         | 0.2 ± 0.05  | 0.75            | 0.4 ± 0.05 | 300              |
| BT013-003 | BT-2   | 2.0         | 0.25 ± 0.05 | 1.0             | 0.45 ± 0.1 | 200              |
| BT013-004 | BT-2.5 | 2.5         | 0.25 ± 0.05 | 1.25            | 0.45 ± 0.1 | 100              |
| BT013-005 | BT-3   | 3.0         | 0.25 ± 0.05 | 1.5             | 0.45 ± 0.1 |                  |
| BT013-006 | BT-3.5 | 3.5         | 0.25 ± 0.05 | 1.75            | 0.45 ± 0.1 |                  |
| BT013-007 | BT-4   | 4.0         | 0.25 ± 0.05 | 2.0             | 0.45 ± 0.1 |                  |
| BT013-008 | BT-5   | 5.0         | 0.35 ± 0.05 | 2.5             | 0.55 ± 0.1 |                  |
| BT013-009 | BT-6   | 6.0         | 0.35 ± 0.05 | 3.0             | 0.55 ± 0.1 |                  |
| BT013-010 | BT-7   | 7.0         | 0.35 ± 0.05 | 3.5             | 0.55 ± 0.1 |                  |
| BT013-011 | BT-8   | 8.0         | 0.35 ± 0.05 | 4.0             | 0.55 ± 0.1 |                  |
| BT013-012 | BT-9   | 9.0         | 0.35 ± 0.05 | 4.5             | 0.55 ± 0.1 |                  |
| BT013-013 | BT-10  | 10.0        | 0.35 ± 0.05 | 5.0             | 0.60 ± 0.1 |                  |
| BT013-014 | BT-11  | 11.0        | 0.35 ± 0.05 | 5.5             | 0.60 ± 0.1 | 50               |
| BT013-015 | BT-12  | 12.0        | 0.35 ± 0.1  | 6.0             | 0.70 ± 0.1 |                  |
| BT013-016 | BT-13  | 13.0        | 0.35 ± 0.1  | 6.5             | 0.70 ± 0.1 |                  |
| BT013-017 | BT-14  | 14.0        | 0.35 ± 0.1  | 7.0             | 0.70 ± 0.1 |                  |
| BT013-018 | BT-15  | 15.0        | 0.35 ± 0.1  | 7.5             | 0.70 ± 0.1 |                  |
| BT013-019 | BT-16  | 16.0        | 0.35 ± 0.1  | 8.0             | 0.70 ± 0.1 |                  |
| BT013-020 | BT-17  | 17.0        | 0.35 ± 0.1  | 8.5             | 0.70 ± 0.1 |                  |
| BT013-021 | BT-18  | 18.0        | 0.4 ± 0.1   | 9.0             | 0.80 ± 0.1 |                  |
| BT013-022 | BT-20  | 20.0        | 0.5 ± 0.1   | 10.0            | 0.90 ± 0.1 |                  |
| BT013-023 | BT-22  | 22.0        | 0.5 ± 0.1   | 11.0            | 0.90 ± 0.1 |                  |
| BT013-024 | BT-25  | 25.0        | 0.5 ± 0.1   | 12.5            | 0.90 ± 0.1 | 25               |
| BT013-025 | BT-28  | 28.0        | 0.5 ± 0.1   | 14.0            | 0.90 ± 0.1 |                  |
| BT013-026 | BT-30  | 30.0        | 0.5 ± 0.1   | 15.0            | 1.00 ± 0.2 |                  |
| BT013-027 | BT-35  | 35.0        | 0.5 ± 0.1   | 17.5            | 1.00 ± 0.2 |                  |
| BT013-028 | BT-40  | 40.0        | 0.5 ± 0.1   | 20.0            | 1.00 ± 0.2 |                  |
| BT013-029 | BT-50  | 50.0        | 0.5 ± 0.1   | 25.0            | 1.00 ± 0.2 |                  |
| BT013-030 | BT-60  | 60.0        | 0.6 ± 0.1   | 30.0            | 1.20 ± 0.2 |                  |
| BT013-031 | BT-70  | 70.0        | 0.6 ± 0.1   | 35.0            | 1.20 ± 0.2 |                  |
| BT013-032 | BT-80  | 80.0        | 0.6 ± 0.1   | 40.0            | 1.20 ± 0.2 |                  |
| BT013-033 | BT-90  | 90.0        | 0.6 ± 0.1   | 45.0            | 1.30 ± 0.2 |                  |
| BT013-034 | BT-100 | 100.0       | 0.7 ± 0.1   | 50.0            | 1.30 ± 0.2 |                  |
| BT013-035 | BT-150 | 150.0       | 0.8 ± 0.1   | 75.0            | 1.60 ± 0.2 |                  |



材質: 採用PE料制成。  
用途: 作為保護電綫不受磨損及絕緣用, 并可改進電綫彎曲的美觀。

Material: made from PE.  
Application: a protection wear for electric wires, and make them insulation and look nice.

| BEIST NO. | TYPE   | Size   | Packing |     |
|-----------|--------|--------|---------|-----|
| BT013-101 | BT-15A | φ 15mm | 2.5m    | 10m |
| BT013-102 | BT-20A | φ 20mm |         |     |
| BT013-103 | BT-25A | φ 25mm |         |     |
| BT013-104 | BT-30A | φ 30mm |         |     |



| BEIST NO. | TYPE   | Size   | Packing |     |
|-----------|--------|--------|---------|-----|
| BT013-105 | BT-6B  | φ 6mm  | 2.5m    | 10m |
| BT013-106 | BT-8B  | φ 8mm  |         |     |
| BT013-107 | BT-10B | φ 10mm |         |     |
| BT013-108 | BT-12B | φ 12mm |         |     |
| BT013-109 | BT-14B | φ 14mm |         |     |
| BT013-110 | BT-16B | φ 16mm |         |     |
| BT013-111 | BT-20B | φ 20mm |         |     |
| BT013-112 | BT-25B | φ 25mm |         |     |



**ECM型配綫標志  
ECM-TYPE WIRE MARKERS**

材質: 採用軟質PVC料精制、形如倒凹形, 套管上面印有文字代號, 內徑伸縮彈性很大。  
使用方法: 使用時將每個切離處輕剝下, 即可配綫。  
特點: 各種型號適合各種大小之配綫, 接受配綫長度或特殊標志之訂制。

Material: Soft PVC, concave conversed shape, no. code in sleeve, elasticity of in-diameter.  
How to use: Peel each hack lightly  
Feature: Suitable any size, special length and marking is available to order.

| BEIST NO. | TYPE  | Suitable Wire              | In-diameter | Length | No.            |
|-----------|-------|----------------------------|-------------|--------|----------------|
| BT013-201 | GEC-0 | 18AWG<br>16AWG<br>0.75     | 2.0-3.0     | 3.5    |                |
| BT013-202 | GEC-1 | 0.75<br>1.25<br>2.0<br>3.0 | 3.0-5.2     | 4.0    | 0.9            |
| BT013-203 | GEC-2 | 3.5<br>5.5<br>8.0          | 3.6-7.4     | 5.0    | A-Z<br>+, -, ÷ |
| BT013-204 | GEC-3 | 8.0<br>14.0<br>22.0        | 5.2-10.0    | 5.0    |                |

