

# QUICK GUIDE

## HiView Series

Smart HD Box Network Camera



**ANVIZ**<sup>®</sup>

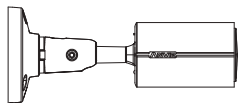
## Warning

- To reduce a risk of fire or electric shock, do not expose this product to rain or moisture.
- To avoid electrical shock, do not open the cabinet. Refer servicing to qualified personnel only.

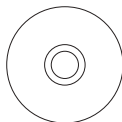
## Notice

- Please check if all the items on the package list have been included in package.
- This equipment must be installed and used in strict accordance with the instructions given in the user documentation. This equipment contains no user-serviceable components. Unauthorized equipment changes or modifications will invalidate all applicable regulatory certifications and approvals.
- Video and audio surveillance can be prohibited by laws that vary from country to country. Check the laws in your local region before using this product for surveillance purposes.
- When transporting the Anviz product, please use the original packaging or equivalent to prevent damage to the product.

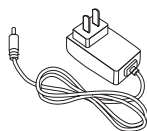
# Packing List



① Camera  
x1



② Software CD  
x1



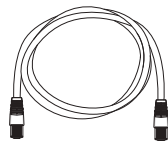
③ Power Connector  
x1



④ Screws  
x3



⑤ Mounting Templates  
x1



⑥ Network Cable  
x1

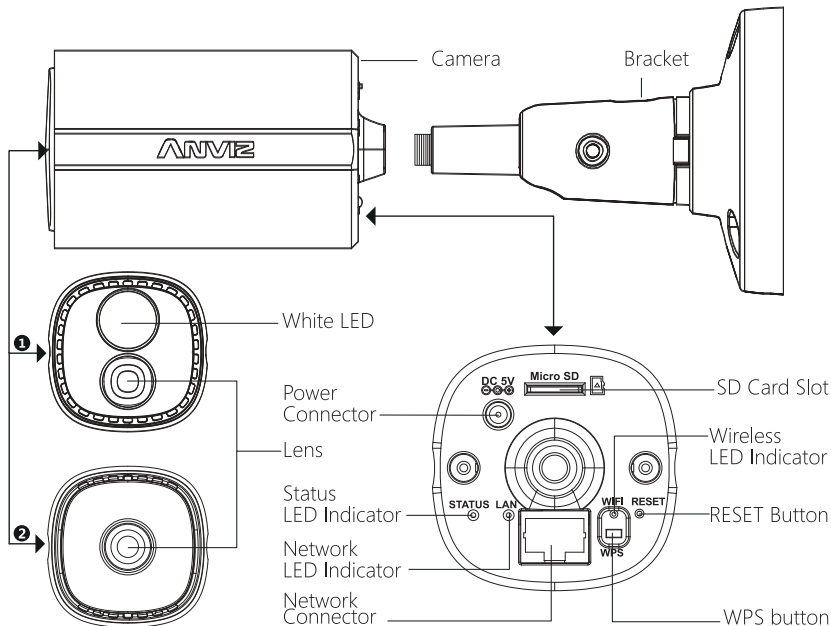


⑦ Inner Hexagon Spanne  
x1



⑧ Quick Guide  
x1

# Product Introduction

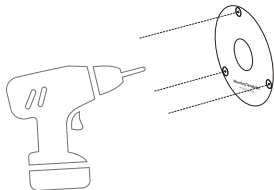


Status LED indicator	Green:Normal operation/Yellow:Alarm/Red:System abnormal.
LAN LED indicator	Turns on when the network is connected.
WiFi LED indicator	Turns on when wireless is connected.

Note: ❶ is the model with white LED. ❷ is the model without white LED.

## Installation

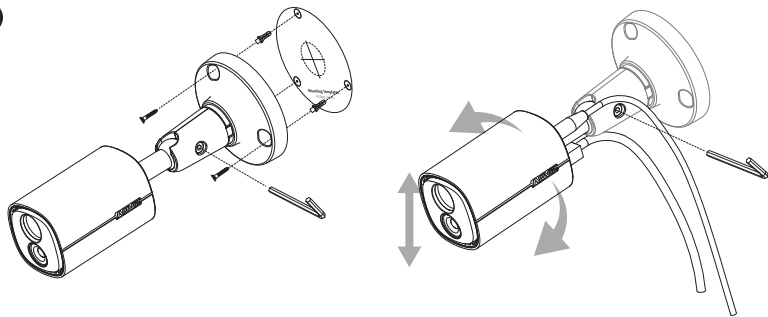
1. Plaster the sticker on wall or ceiling. Drill holes in the wall or ceiling according to the drawing.



2. Install the bracket.

- a. Fix the screws on the wall or ceiling to install the bracket. Loosen the screw on the bracket to adjust the direction of the camera and then tighten the screw to fix it. Connect the cables (network cable and power cable).

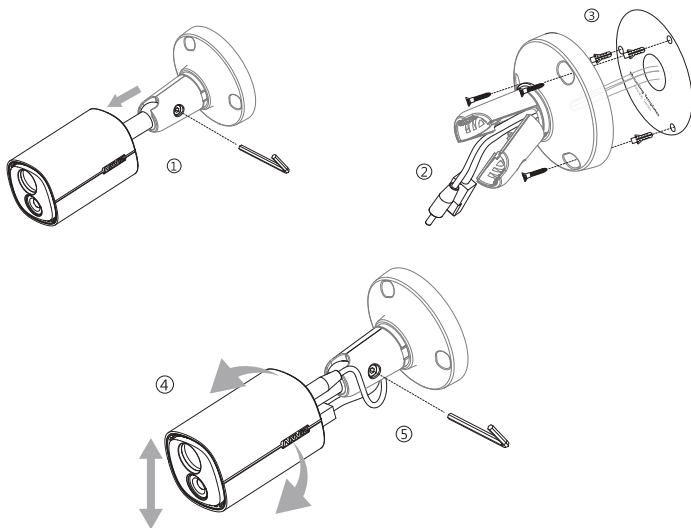
**a**



## Installation

b. 1) Loose the screw on bracket and remove camera body. 2) Pull the wiring through the hole and supplied bracket when you install all cables in the wall or behind ceiling. 3) Fix the screws on the wall or ceiling to install the bracket. 4) Adjust the direction of camera and then tighten the screw to fix it. 5) Connect the cables(network cable and power cable).

**b**



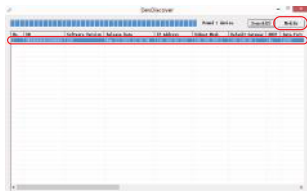
# Quick Operation/Configuration

DeviceDiscover software can automatically search the IP address of network cameras in the same local area network.

1. Click "Search" button.



2. Choose the camera, and click "Modify" button.



3. Input new IP address, subnet mask and gateway, then click "Apply" button to keep the modification.



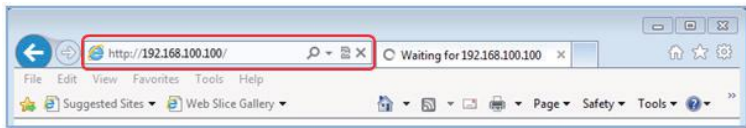
# View Via Web Browser

Default configuration of IPC:

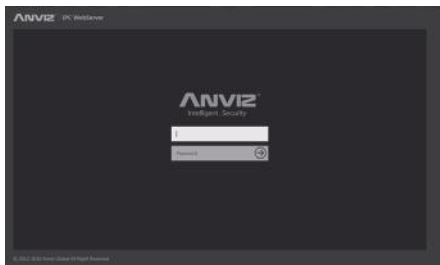
- IP address: 192.168.100.100
- User name: admin
- Password: admin

Take Windows7 and IE10 for example.

1. Input the IP address of the camera in address bar and press [Enter].



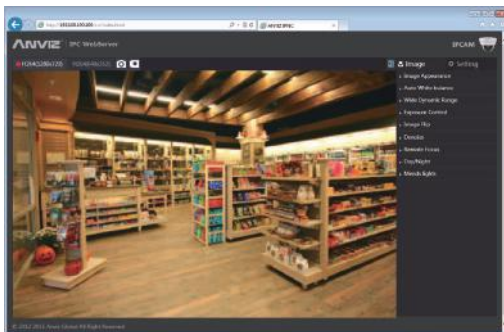
2. Input the "Username" (admin) and "Password"(admin) in the dialog box, and click "OK".





## View Via Web Browser

3. View the live video.



Note:

- Need to install the ActiveX control after step 1.
- Add IP address into trusted sites list and set the security level to [Medium] in IE browser [Tools/Internet Options/Security/Custom Level/Reset to...]
- System requirement: Microsoft Windows Operating System and Internet Explorer (Version 7.0 or later). IE8 is recommended.

Further information:

The user's manual and hardware instruction are available from the Anviz website at [www.anviz.com](http://www.anviz.com) or from the Anviz Network Video Product CD supplied with this product.



For more information, visit [www.anviz.com](http://www.anviz.com), or email us [support@anviz.com](mailto:support@anviz.com).

**ANVIZ**® brands and products are trademarked and protected under law in the United States. Unauthorized use is prohibited.  
2016 © Anviz Global. All Rights Reserved.