

**YSM10 SERIES**



**Input:85-277VAC 50/60Hz**  
**Output Voltage: 3.3V-24V DC**  
**Rated Power :10W max**

**Features**

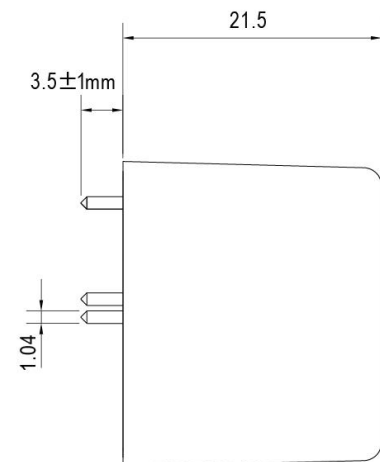
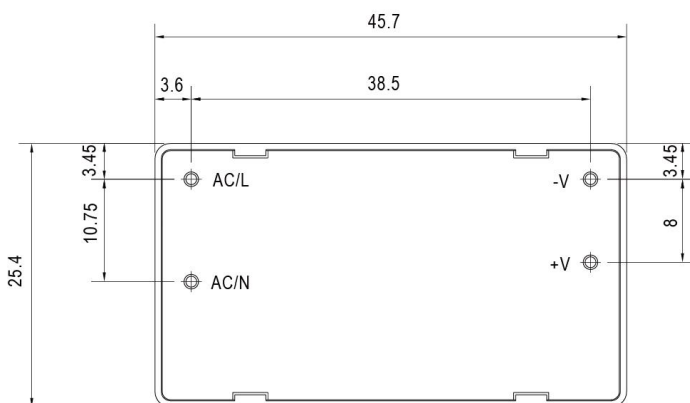
- Compact appearance
- International general input 85-277VAC
- No-load power consumption < 0.1 W
- EMC meets Class B requirements without additional components
- Wide operating temperature range from -30 °C to 70°C
- Protection type: short circuit / over load / over voltage
- Natural air cooling
- Class II isolation level
- By LPS
- Three Year Warranty

**Application**

- Industrial electrical installation
- Mechanical equipment
- Industrial automation equipment
- Handheld electronic equipment



**■ Dimensions and Installation**

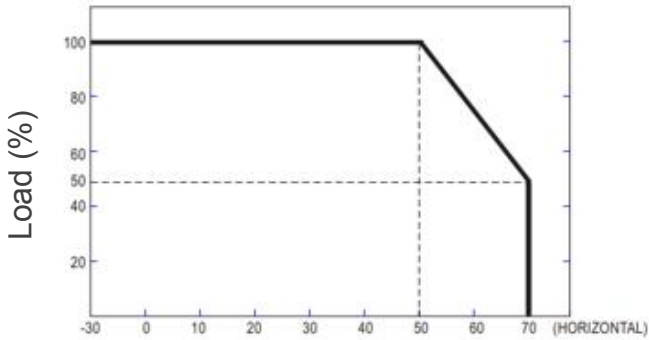


**YSM10 SERIES**

MODEL DETAIL SPEC.		YSM10-0332000	YSM10-0502000	YSM10-1200850	YSM10-1500670	YSM10-2400420
OUTPUT	DC Voltage:	3.3V	5V	12V	15V	24V
	Rated Current:	2A	2A	0.85A	0.67A	0.42A
	Rated Power:	8.25W	10W	10W	10W	10W
	Ripple and Noise:	200mVp-p	200mVp-p	200mVp-p	200mVp-p	200mVp-p
	Line Regulation:	±0.3%				
	Load Regulation:	±0.5%				
INPUT	Input Voltage:	85-277VAC 50/60Hz				
	Efficiency:	74%	77%	82%	82%	82%
	AC Current:	0.25A/115VAC 0.15A/230VAC 0.125A/277VAC				
	Inrush Current:	COLD START 20A/115VAC 40A/230VAC				
	Leakage Current:	< 0.25mA/277VAC				
PROTECTION	Over Load Protection:	115% ~ 190% rated output power, Protection type: Hiccup Mode recovers automatically after fault condition is removed				
	Over Voltage Protection:	115% ~ 135%, Protection Type: Clamp by Zener Diode				
SAFETY & EMC	Safety Regulations:	IEC62368-1, UL62368-1, TUV EN62368-1, EAC TP TC 004, -1 approved				
	Withstand Voltage:	I/P-O/P:3KVAC				
	EMC Emission:	EN55032(CISPR32), CNS13438, EN61000-3-2 Class A, EN61000-3-3				
OTHER	MTBF:	> 50000h				
	Size:	45.7*25.4*21.5 mm				

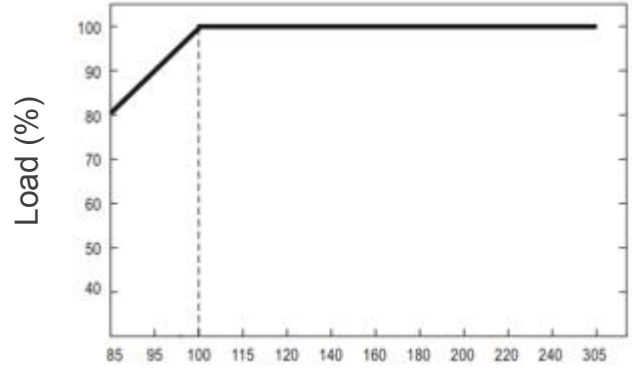
**YSM10 SERIES**

**Deduction curve and temperature**



Environment temperature(°C)

**Minus output and input voltage curves**



Input voltage(VAC)

**Functional Diagram**

