

**YSM20-15 SERIES**



**Input:85-277VAC 50/60Hz**  
**Output Voltage: 3.3V-24V DC**  
**Rated Power :15W max**

**Features**

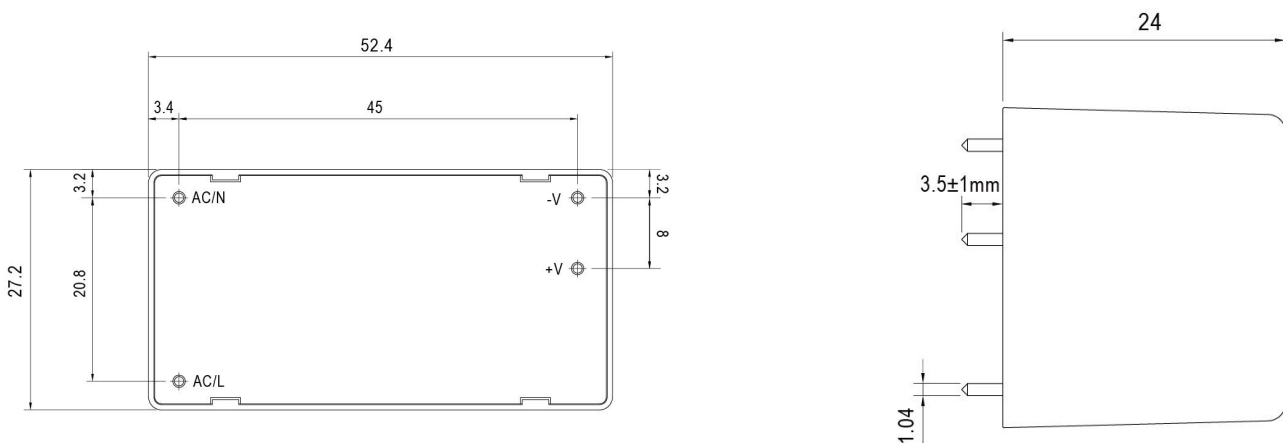
- Compact appearance
- International general input 85-277VAC
- No-load power consumption < 0.1 W
- EMC meets Class B requirements without additional components
- Wide operating temperature range from -30 °C to 70°C
- Protection type: short circuit / over load / over voltage
- Natural air cooling
- Class II isolation level
- By LPS
- Three Year Warranty

**Application**

- Industrial electrical installation
- Mechanical equipment
- Industrial automation equipment
- Handheld electronic equipment



**■ Dimensions and Installation**

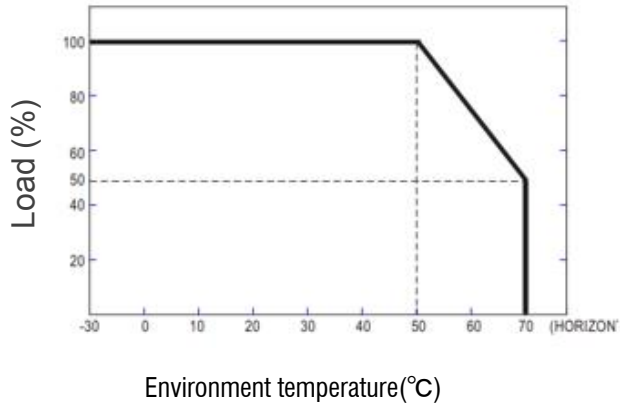


**YSM20-15 SERIES**

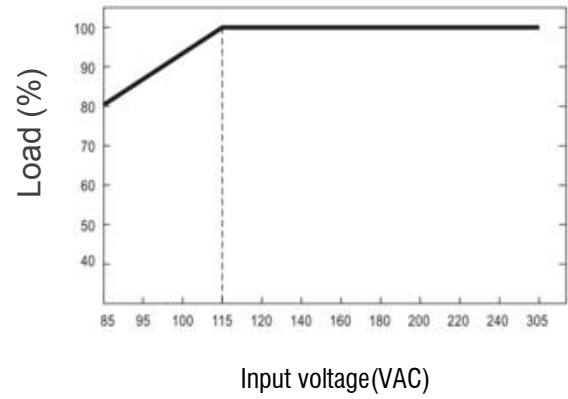
MODEL DETAIL SPEC.		YSM20-0333000	YSM20-0503000	YSM20-1201250	YSM20-1501000	YSM20-2400630
OUTPUT	DC Voltage:	3.3V	5V	12V	15V	24V
	Rated Current:	3A	3A	1.25A	1A	0.63A
	Rated Power:	11.55W	15W	15W	15W	15W
	Ripple and Noise:	200mVp-p	200mVp-p	200mVp-p	200mVp-p	200mVp-p
	Line Regulation:	±0.3%				
	Load Regulation:	±0.5%				
INPUT	Input Voltage:	85-277VAC 50/60Hz				
	Efficiency :	74%	78%	82%	82%	83%
	AC Current:	0.35A/115VAC 0.2A/230VAC 0.17A/277VAC				
	Inrush Current:	COLD START 20A/115VAC 40A/230VAC				
	Leakage Current:	< 0.25mA/277VAC				
PROTECTION	Over Load Protection:	115% ~ 190% rated output power, Protection type: Hiccup Mode recovers automatically after fault condition is removed				
	Over Voltage Protection:	115% ~ 135%, Protection Type: Clamp by Zener Diode				
SAFETY & EMC	Safety Regulations:	IEC62368-1, UL62368-1, TUV EN62368-1, EAC TP TC 004, -1 approved				
	Withstand Voltage:	I/P-O/P:3KVAC				
	EMC Emission:	EN55032(CISPR32), CNS13438, EN61000-3-2 Class A, EN61000-3-3				
OTHER	MTBF:	> 50000h				
	Size:	52.4*27.2*24 mm				

**YSM20-15 SERIES**

**Deduction curve and temperature**



**Minus output and input voltage curves**



**Functional Diagram**

