

YSM60T SERIES



Input: 85-277VAC 50/60Hz
Output Voltage: 5V-24V DC
Rated Power : 60W max

Features

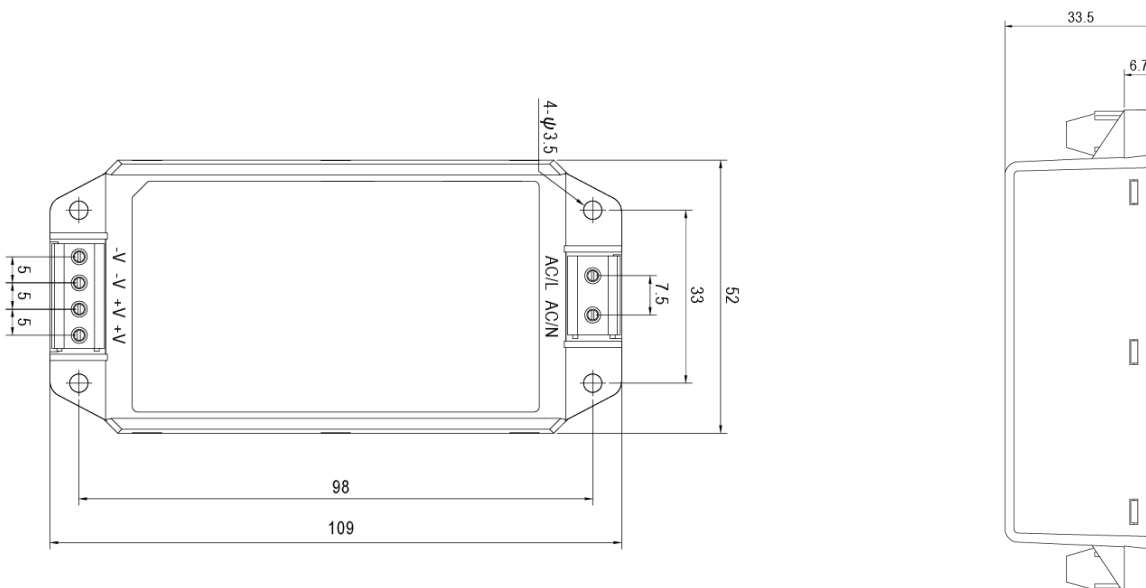
- Compact appearance
- International general input 85-277VAC
- No-load power consumption < 0.1 W
- EMC meets Class B requirements without additional components
- Wide operating temperature range from -30 °C to 70 °C
- Protection type: short circuit / over load / over voltage
- Natural air cooling
- Class II isolation level
- By LPS
- Three Year Warranty

Application

- Industrial electrical installation
- Mechanical equipment
- Industrial automation equipment
- Handheld electronic equipment



■ Dimensions and Installation

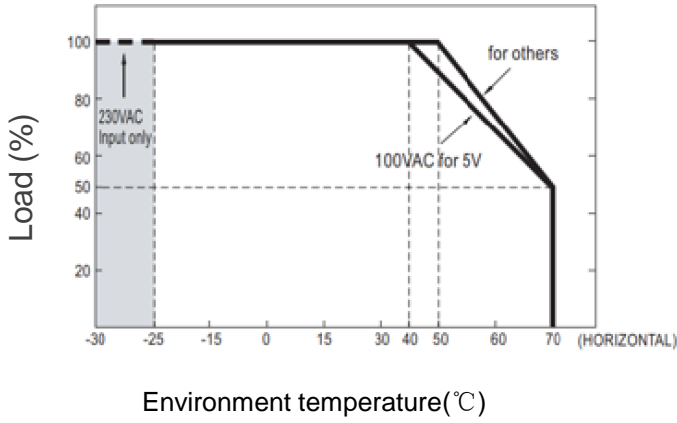


YSM60T SERIES

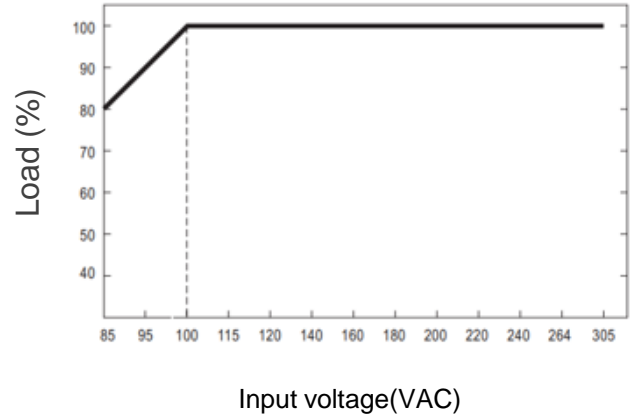
MODEL DETAIL SPEC.		YSM60T-05010000	YSM60T-12005000	YSM60T-15004000	YSM60T-24002500	YSM60T-48001250
OUTPUT	DC Voltage:	5V	12V	15V	24V	48V
	Rated Current:	10A	5A	4A	2.5A	1.25A
	Rated Power:	50W	60W	60W	60W	60W
	Ripple and Noise:	80mVp-p	120mVp-p	120mVp-p	150mVp-p	240mVp-p
	Line Regulation:	±0.5%	±0.5%	±0.5%	±0.5%	±0.5%
	Load Regulation:	±2.5%	±2.5%	±2.5%	±2.5%	±2.5%
INPUT	Input Voltage:	85-277VAC 50/60Hz				
	Efficiency:	85%	87.5%	89%	90%	91%
	AC Current:	1.8A/115VAC 1.0A/230VAC 0.9A/277VAC				
	Inrush Current:	COLD START 30A/115VAC 60A/230VAC				
	Leakage Current:	< 0.25mA/277VAC				
PROTECTION	Over Load Protection:	115% ~ 160% rated output power, Protection type: Hiccup Mode recovers automatically after fault condition is removed				
	Over Voltage Protection:	115% ~ 135%, Protection Type: Clamp by Zener Diode				
SAFETY & EMC	Safety Regulations:	IEC62368-1, UL62368-1, TUV EN62368-1, EAC TP TC 004, -1 approved				
	Withstand Voltage:	I/P-O/P:3KVAC				
	EMC Emission:	EN55032(CISPR32), CNS13438, EN61000-3-2 Class A, EN61000-3-3				
OTHER	MTBF:	> 50000h				
	Size:	109*52*33.5mm				

YSM60T SERIES

Deduction curve and temperature



Minus output and input voltage curves



Functional Diagram

