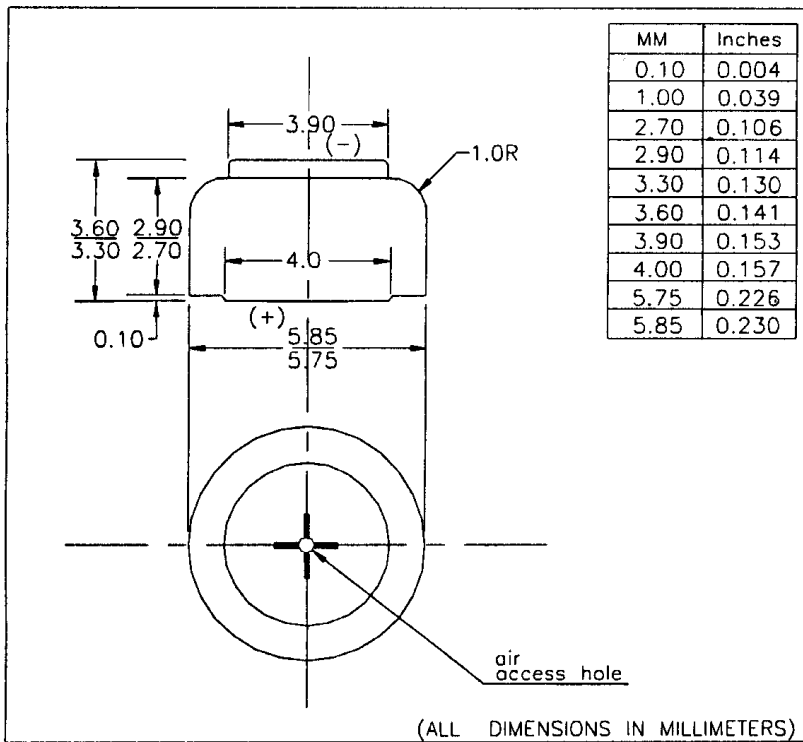


Zinc Air Battery

A10

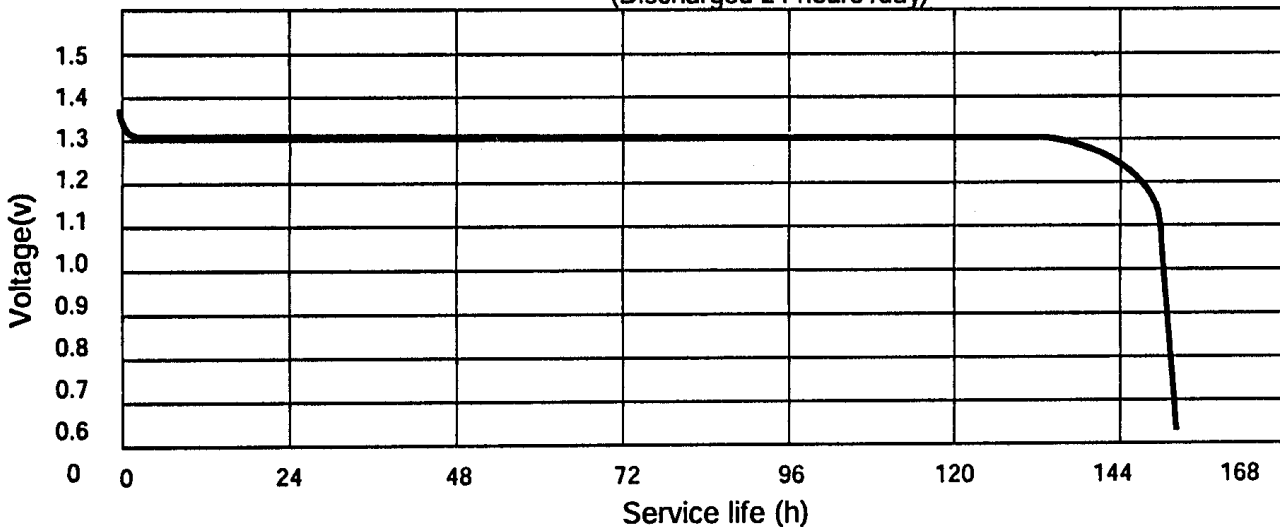


SPECIFICATIONS:

Nominal Voltage:	1.4V
Rated Capacity:	65mAh
	at 3000Ω
	to 0.9V
	at 25°C RH 60%
Average weight	0.31g
Volume:	0.08cm ³
Terminals:	FLAT
Operating Temp. Range:	0°C to 50°C
Impedance:	≤ 8Ω
	at AC 1000Hz
Limiting current:	3mA
	@1.1V
IEC:	PR70

DISCHARGE CHARACTERISTICS AT 3KΩ 25°C RH 60%

(Discharged 24 hours /day)



This data sheet is subject to change without prior notice. Contact us for the latest information. Contents here do not constitute a warranty. April, 2002