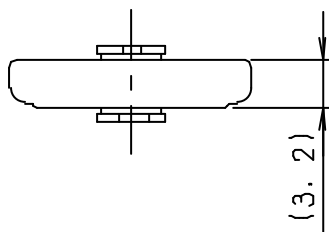
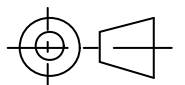
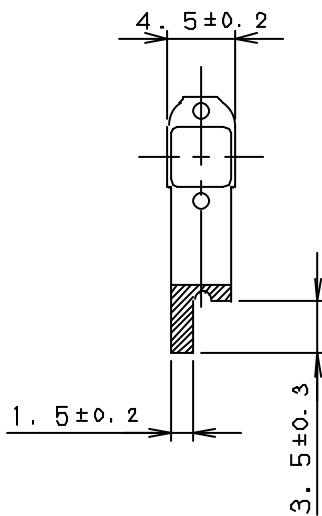
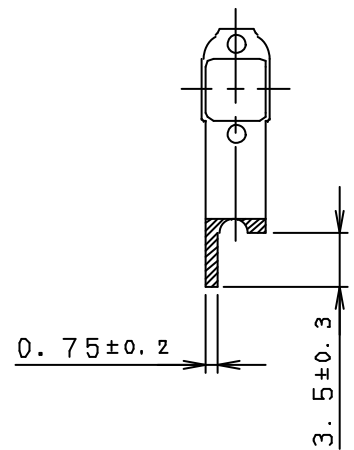


" - " Terminal



" + " Terminal



Unit: mm

Scale	2	Drawn	Designed	Checked	Approved	Name	BR1632A/VA
	1					No.	PS-B16509