



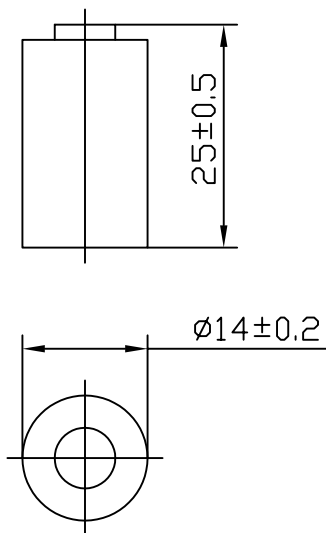
CR14250

Lithium Cylindrical Cell (Data Sheet)

Specifications

Nominal Voltage		3.0V
Dimensions	Diameter	14±0.2mm
	Height	25±0.5mm
	Approximate Weight	9g
Discharge Standard Current		20mA
Nominal Capacity		550mAh
Temperature Range(°C)		-40~60

(CELL DIMENSIONS)



(With tube)

Load characteristics

