

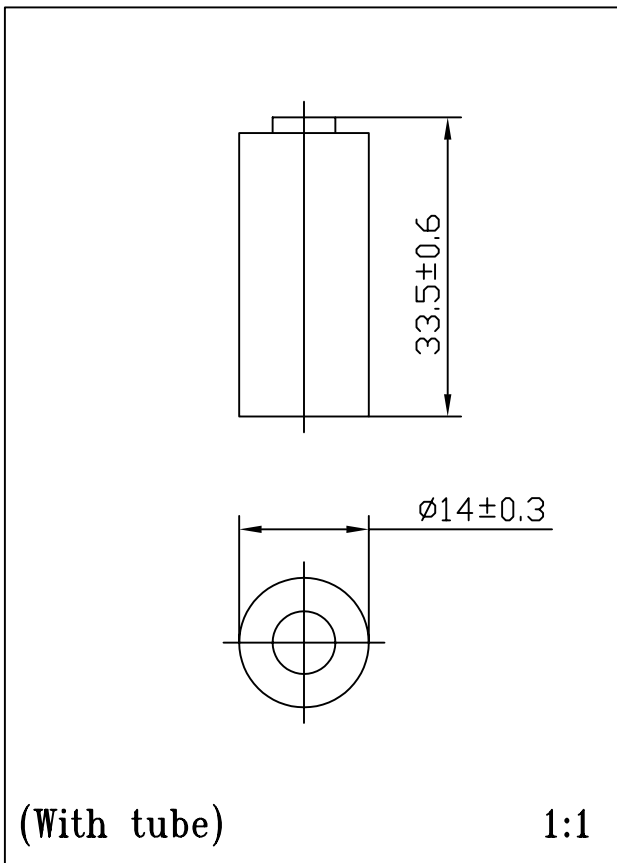


CR14335

Lithium Cylindrical Cell (Data Sheet)

Specifications

Nominal Voltage		3.0V
Dimensions	Diameter	$14 \pm 0.3 \text{mm}$
	Height	$33.5 \pm 0.6 \text{mm}$
	Approximate Weight	13g
Discharge Standard Current		10mA
Nominal Capacity		850mAh
Temperature Range(°C)		-40~60



Load characteristics

