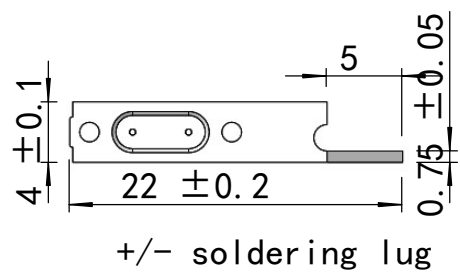
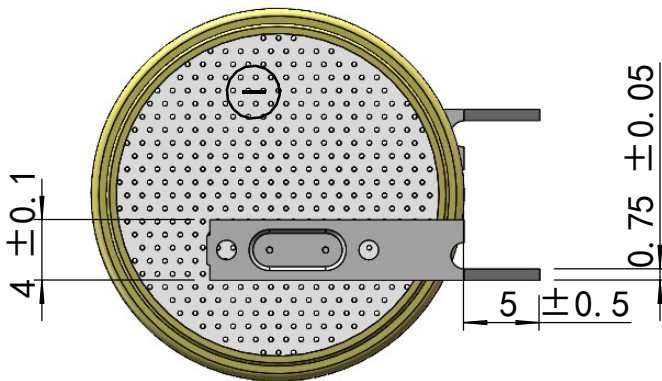
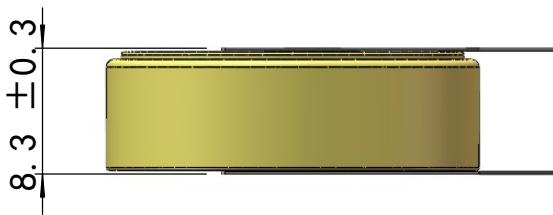
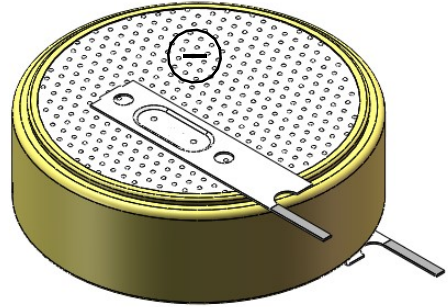
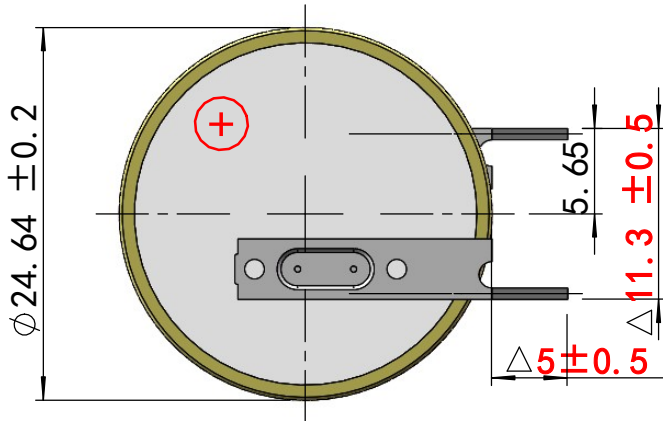


Working drawings

Name	CR2477-PCN2+P-RCT-C	version	A	Date	2022-01-18
Number	MLK-P-753				

△ Important dimension



3	HP-190	-	1	SUS304tinning	E+22-4-0.75-0.15	*Accord to ROHS Standard*
2	HP-190	+	1	SUS304tinning	E+22-4-0.75-0.15	
1		CR2477MLK	1			
Number	material number	Name	quantity	material	product standard	

 projective mode	Scale	Unit	Other marked tolerances	Dimensioning mark	lister	舒攀
	2: 1	mm	X ± 0.5 .X ± 0.2 .XX ± 0.1	Use calipers to measure Use a micrometer to measure		