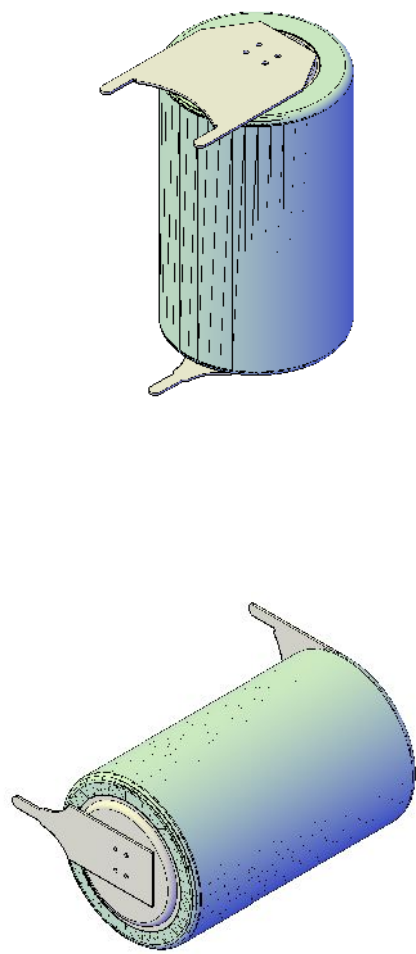
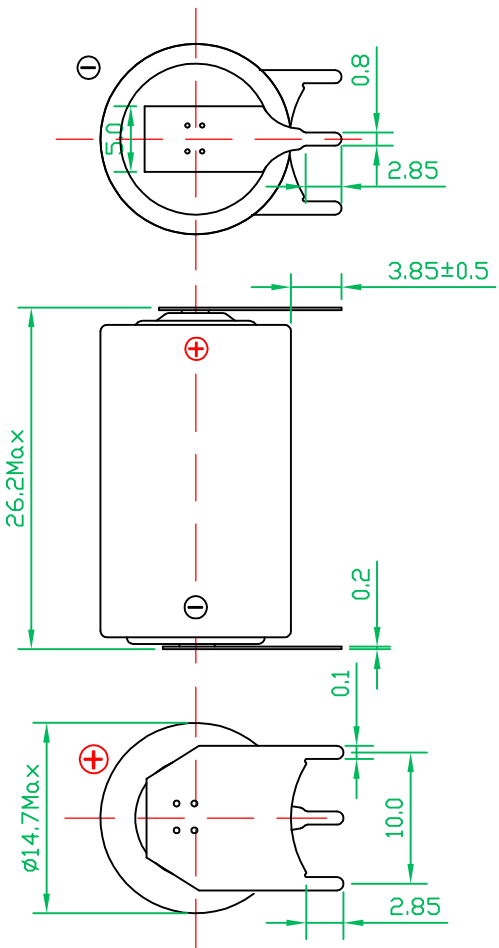


1 2 3 4 5 6

A
B
C
D

A
B
C
D



Remark(备注):

1. Cell(电芯): 3.6V 1200mAh.EEMB PVC,with date code(包EEMB PVC '表面喷码)
2. Cathode/Anode tab: Stainless steel plated with nickel
正/负极焊片材质: 不锈钢镀镍
3. RoHS Compliant
严格按照ROHS要求生产

		Drawn:	YANF	Revise No.:	E4-2009
		Checked 1:	Maria	Projection:	
		Checked 2:		Page:	1/1
Title	ER14250-VBR	Approved:		Scale:	1.8 : 1
File NO.	A14373	Draw Date:	2017/07/15	Unit:	mm

1 2 3 4 5 6