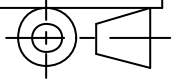
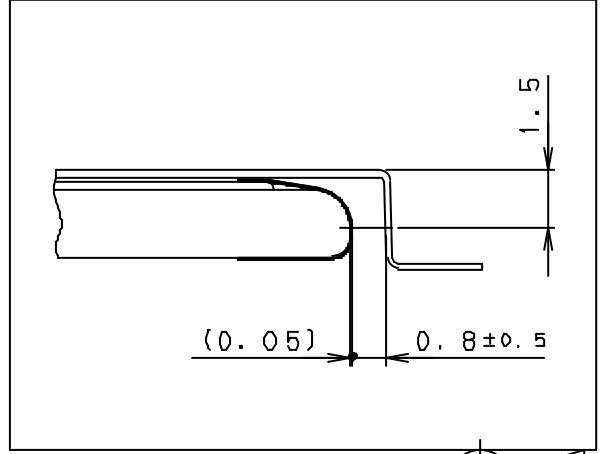
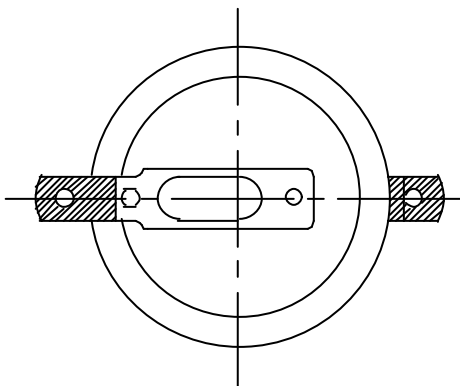


Detail A (Scale: 5/1)



Unit: mm

Scale	2	Drawn	Designed	Checked	Approved	Name	VL2020/F1A
	1					No.	PS-V20473