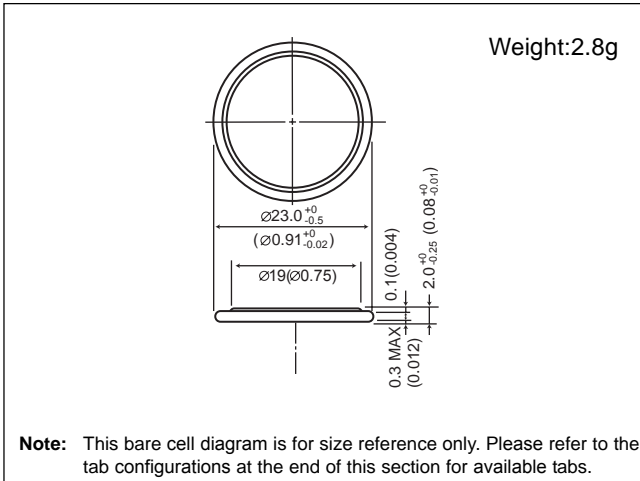


Vanadium Pentoxide Lithium Coin Batteries (VL Series): Individual Specifications

VL2320

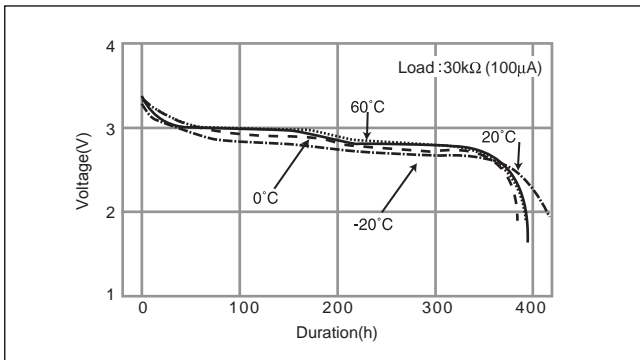
Dimensions(mm)



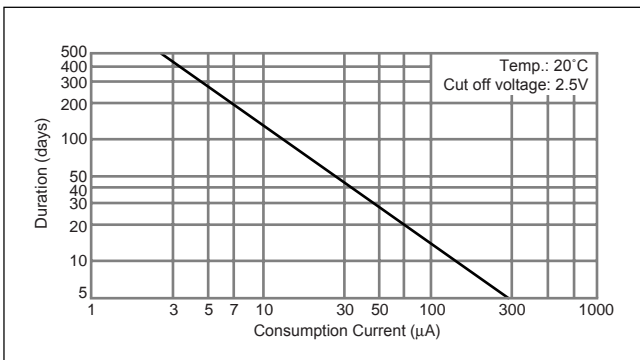
Specification

Nominal voltage (V)	3
Nominal capacity (mAh)	30.0
Continuous standard load (mA)	0.1
Operating temperature (C)	-20 ~ +60

Discharge Temperature Characteristics

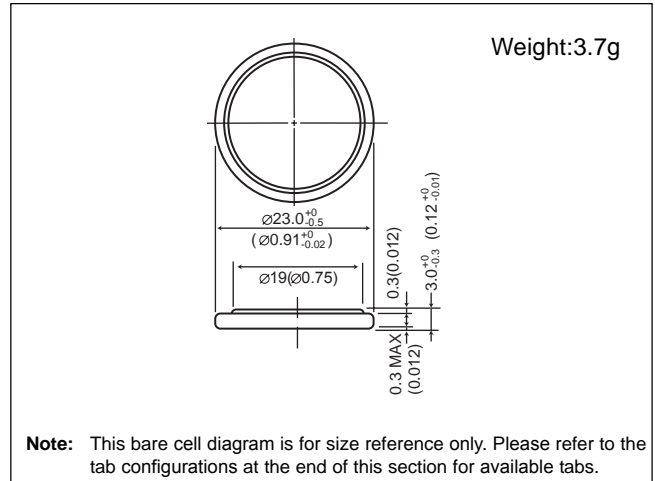


Consumption current vs. Duration time



VL2330

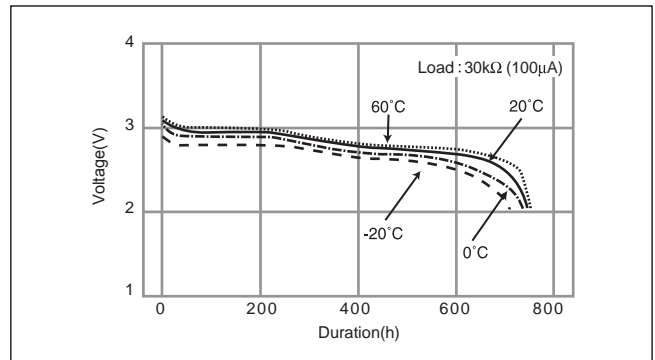
Dimensions(mm)



Specification

Nominal voltage (V)	3
Nominal capacity (mAh)	50.0
Continuous standard load (mA)	0.1
Operating temperature (C)	-20 ~ +60

Discharge Temperature Characteristics



Consumption current vs. Duration time

