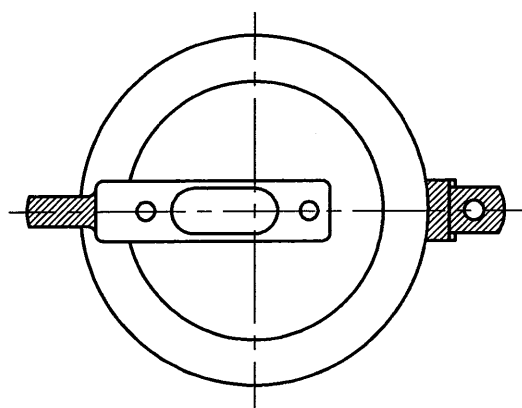
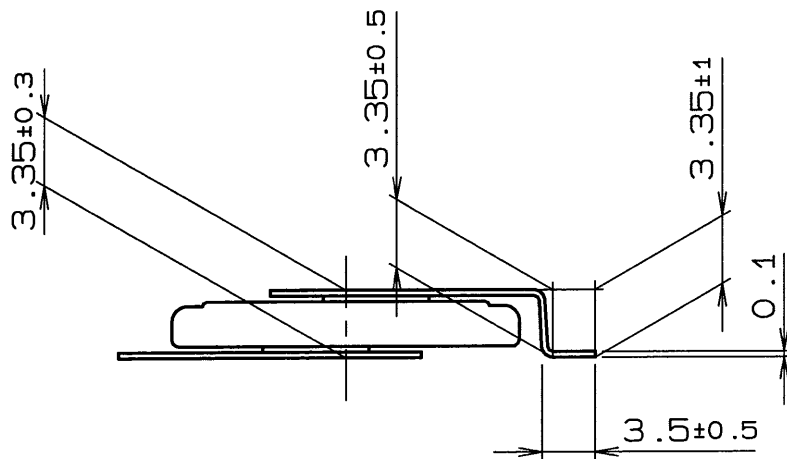
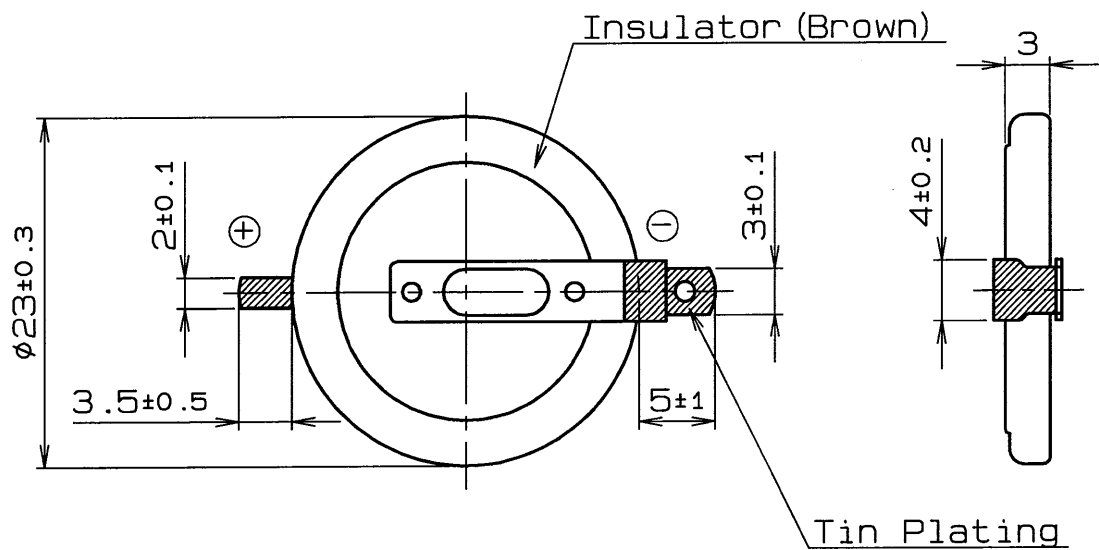
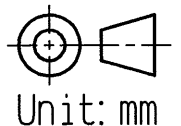


Symbol	Date	Revision	Signed	Checked
△				



UNLESS OTHERWISE SPECIFIED DIMENSIONS ARE IN TOLERANCES ON "Lithium & Micro Battery Dimension Standard"



Lithium & Micro Battery Dimension Standard (for Products)	Nominal Size	Tolerance		Product No.	VL-2330/1F34E
	≤6	±0.2			
	6<~≤30	±0.5		Name	Product Drawing
	30<~≤120	±0.8			
Angle	±5°		Drawing No.	PS-V23306E (3) -a	
Scale	Designed	Drawn			Checked
2: 1					