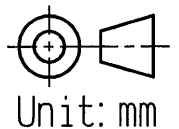
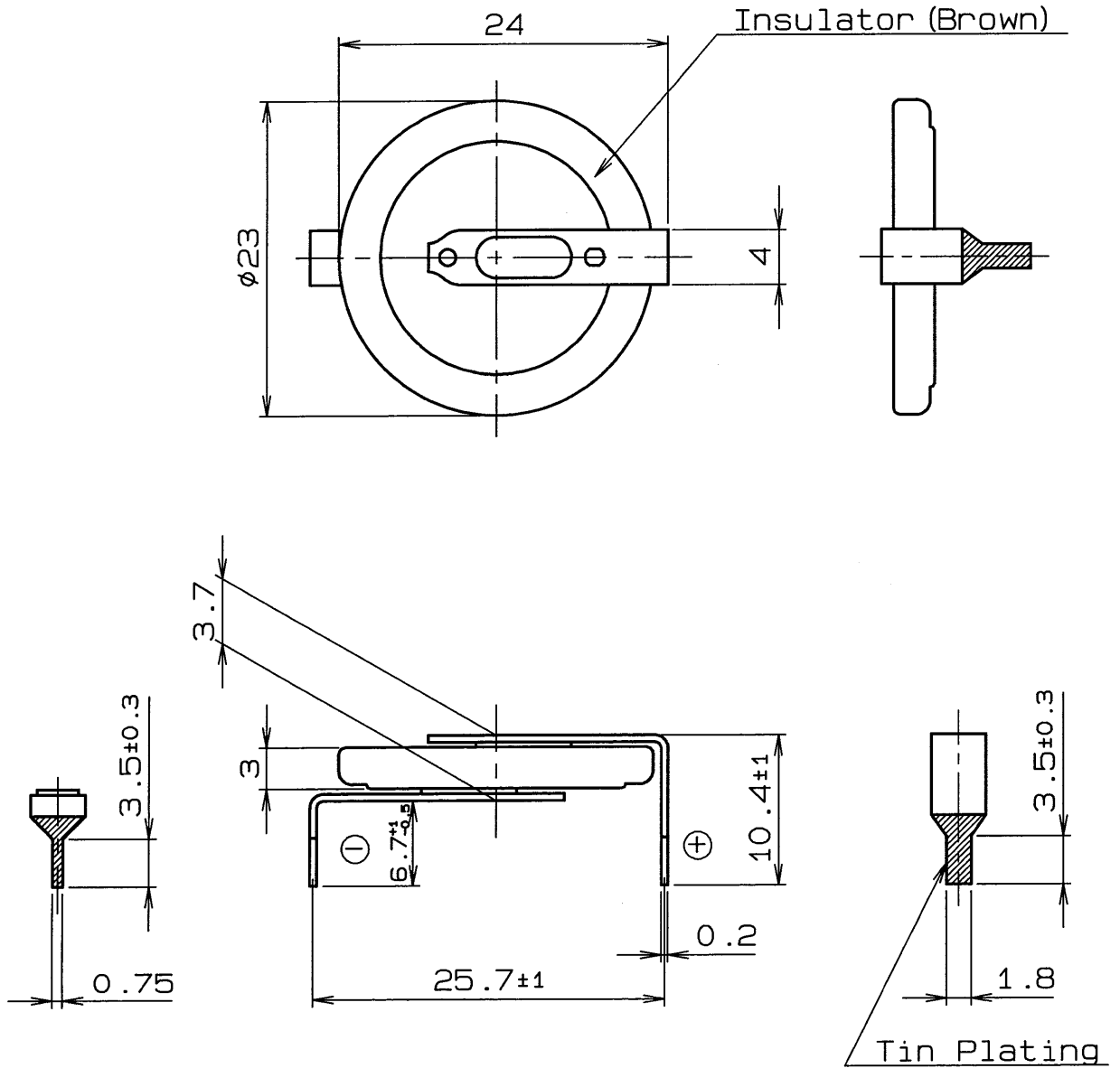


Symbol	Date	Revision	Signed	Checked
△				

CUSTOM DRAWING



UNLESS OTHERWISE SPECIFIED DIMENSIONS ARE IN TOLERANCES ON "Lithium & Micro Battery Dimension Standard"

Lithium & Micro Battery Dimension Standard (for Products)	Nominal Size	Tolerance	Product No.	VL-2330/1HM5E			
	≤6	±0.2					
	6<~≤30	±0.5					
	30<~≤120	±0.8					
	Angle	±5°	Name	Product Drawing			
Scale	Designed	Drawn	Checked	Checked	Approved	Drawing No.	PS-V23294E (1) -a
2: 1							