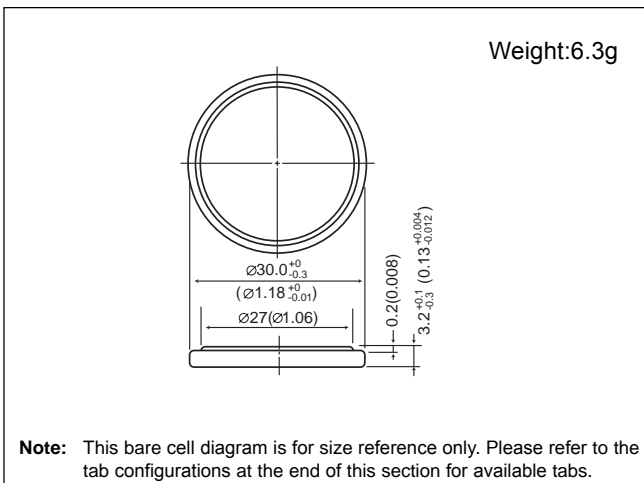


Vanadium Pentoxide Lithium Coin Batteries (VL Series): Individual Specifications

VL3032

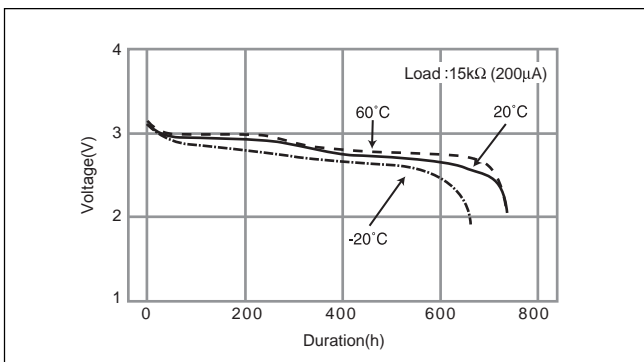
Dimensions(mm)



Specification

Nominal voltage (V)	3
Nominal capacity (mAh)	100.0
Continuous standard load (mA)	0.2
Operating temperature (C)	-20 ~ +60

Discharge Temperature Characteristics



Consumption current vs. Duration time

