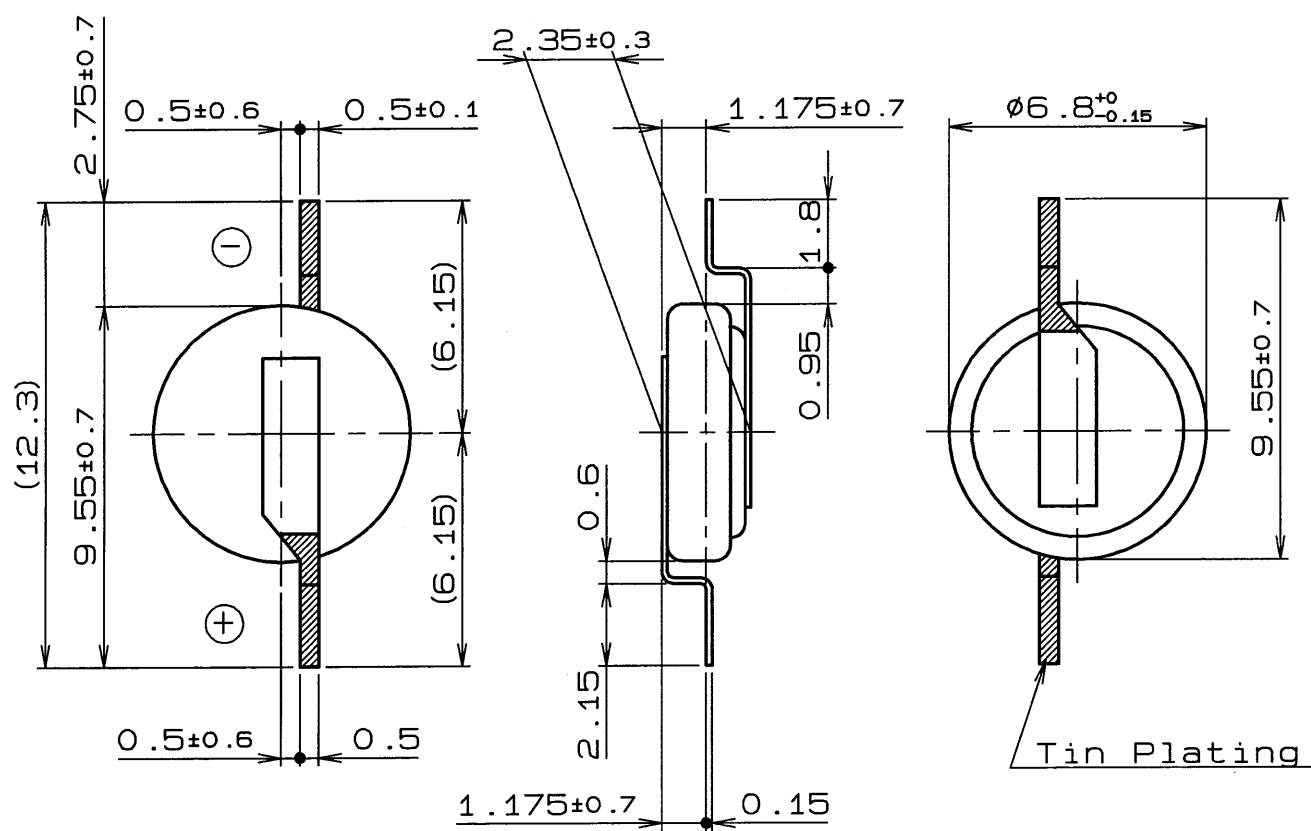
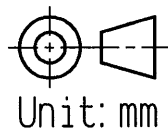


Symbol	Date	Revision	Signed	Checked
△				



UNLESS OTHERWISE SPECIFIED DIMENSIONS ARE IN TOLERANCES ON "Lithium & Micro Battery Dimension Standard"



Lithium & Micro Battery Dimension Standard (for Products)	Nominal Size		Tolerance		Product No.	VL-621/F9FE
	≤6		±0.2			
	6<~≤30		±0.5		Name	Product Drawing
	30<~≤120		±0.8			
Angle		±5°				
Scale	Designed	Drawn	Checked	Checked	Approved	
5: 1						Drawing No. PS-V06457-a