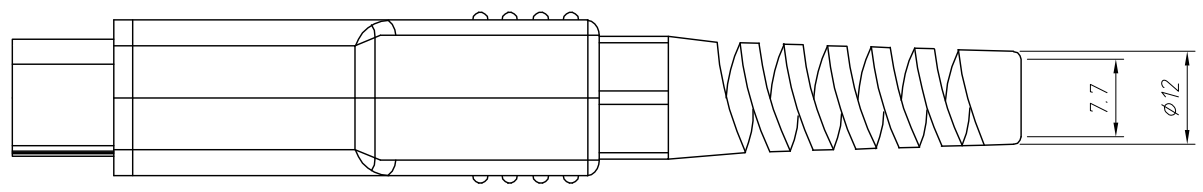
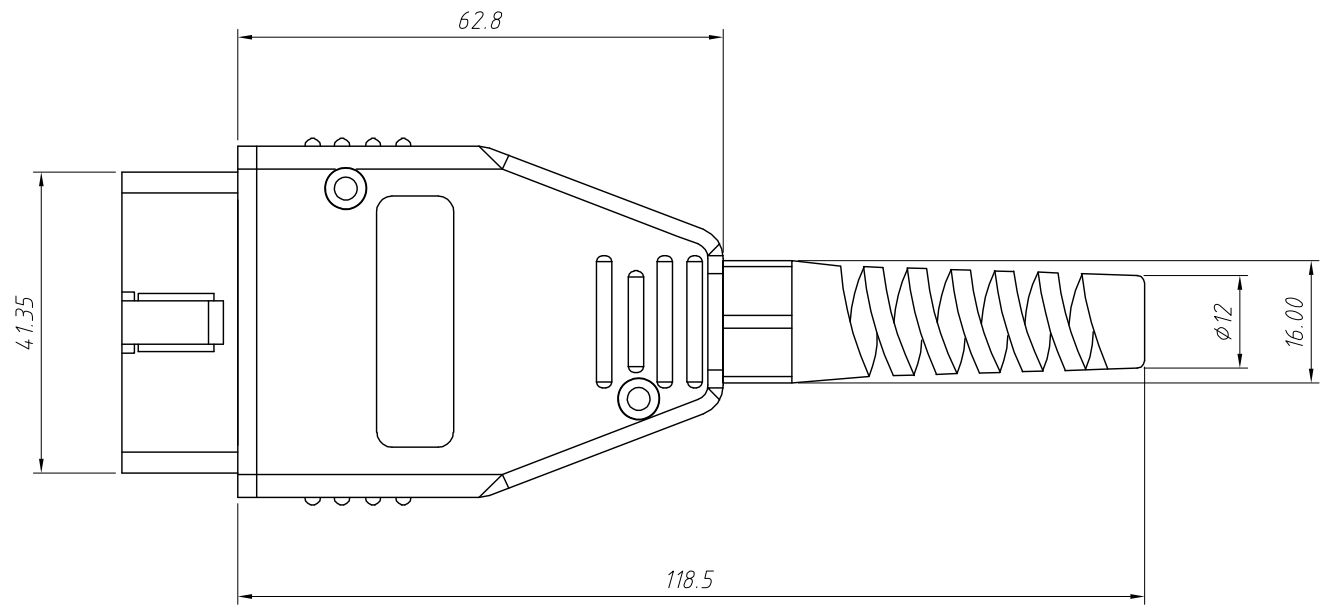
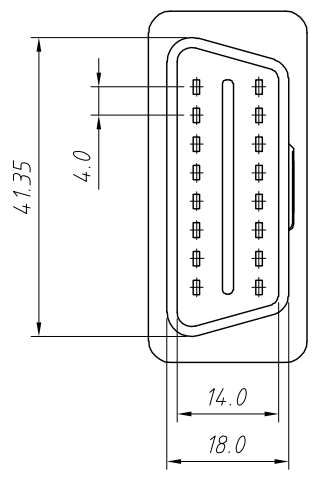


1
RoHS Compliance



Material:
 Housing: ABS, UL 94 V-0, Color Black
 SR: Nylon, UL 94 V-0, Color Black
 Terminal: Brass, Nickel plated
 General Tolerance: ±0.5mm

Electrical Characteristics:
 Dielectric Strength: 1000V AC/1 Minute
 Contact Resistance: 100mΩ Max
 Insulator Resistance: 500VDC, 100MΩ Min

Rating and Application Wire:
 Rated Voltage: 30V Max
 Rated Current: 5Amps, Wire Insulation OD: φ1.2 ~ φ2.6
 Ambient Temperature Range: -40°C ~ +85°C

ANGLE TOLERANCE	PROJECTION	Description:		
±3°		OBD II 16P Male Assemblies Type		
GENERAL TOLERANCE	UNITS	mm	KLS P/N:	L-KLS1-OBD-16MA
x.x ±0.30	SHEET SIZE	A4		NingBo KLS ELECTRONIC CO.,L TD.
x.xx ±0.20	Draw:	Daniel	2020-11-11	
x.xxx ±0.10	Check:	Daniel	2020-11-11	