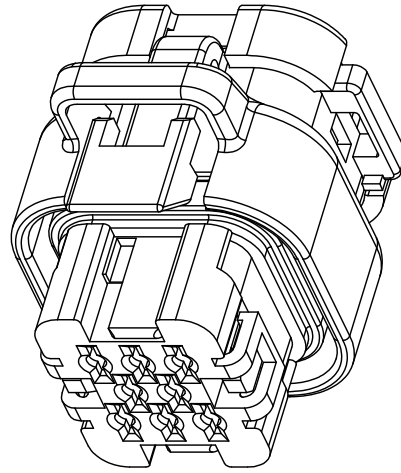
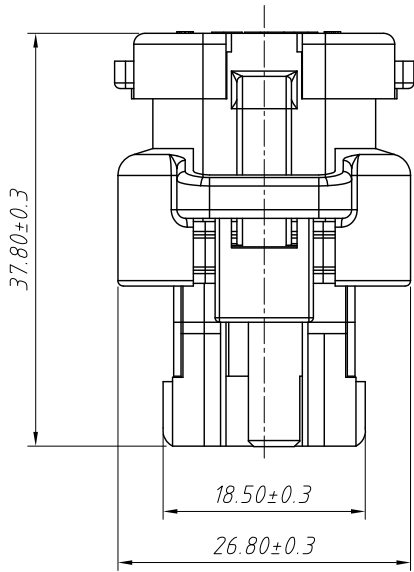


1
RoHS Compliance

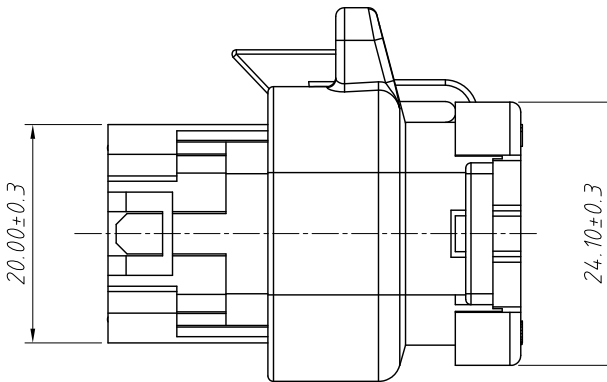
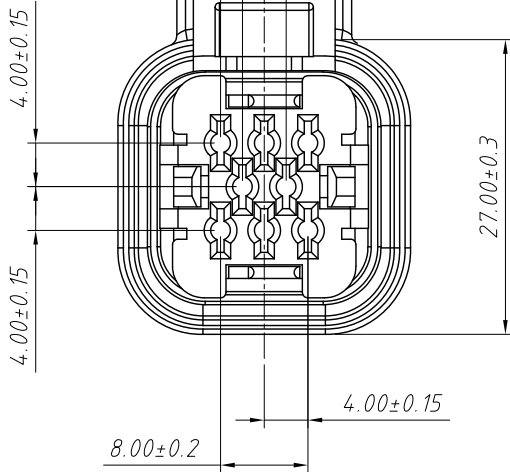


Material:
Housing:PBT,Black.

Technical Features:

1. No of Positions:8P
2. Applicable Terminal P/N :L-KLS13-CA004-T
3. Wire Range:AVSS,AVSSH-F 0.5~1.25mm²
4. Temperature Range:-40°C to 125°C
5. Fully sealed and submersible IP67rating

2.00±0.15 4.00±0.15



Order Information:

L-KLS13-CA004-08-H

L: RoHS

Serial No

XX-No.of pins

Type:

H-Housing

S-Vertical Header

R-Horizontal Header

T-Terminal

| | | | | |
|-------------------|------------|--------------|--|--------------------|
| ANGLE TOLERANCE | PROJECTION | Description: | 8 Pin AMPSEAL Connector Housing,Black | |
| ±3° | | | | |
| GENERAL TOLERANCE | UNITS | mm | KLS P/N: | L-KLS13-CA004-08-H |
| x.x ±0.30 | SHEET SIZE | A4 | | |
| x.xx ±0.20 | Draw: | Daniel | 2018-07-10 | |
| x.xxx ±0.10 | Check: | Daniel | 2018-07-10 | |

NingBo KLS ELECTRONIC CO.,L TD.