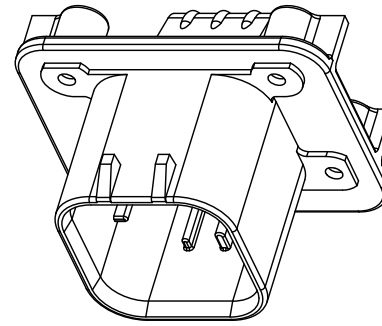
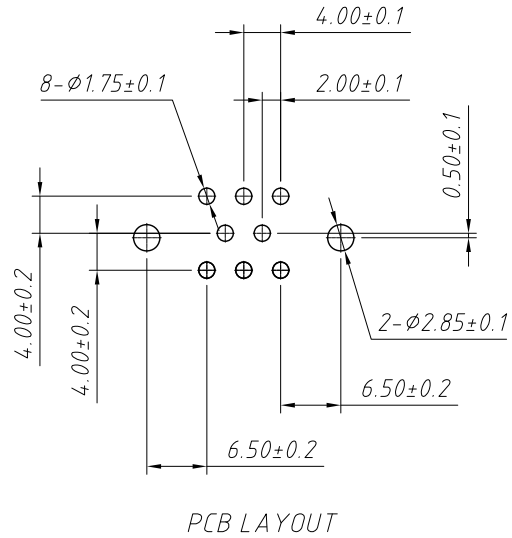
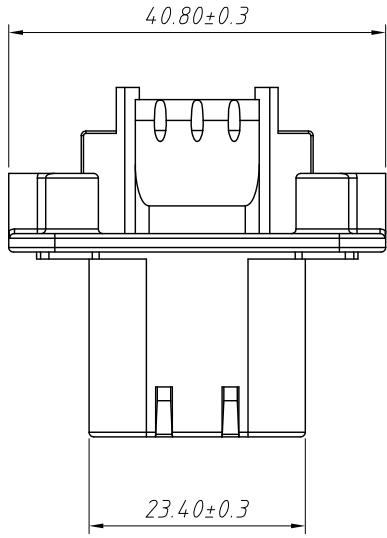


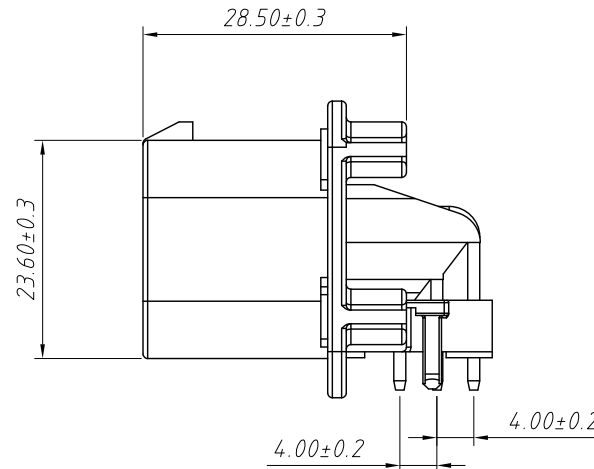
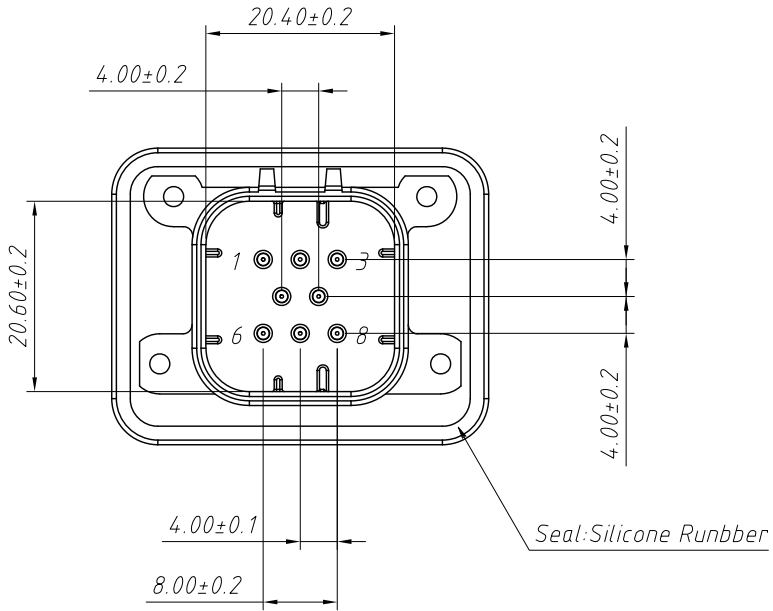
1 RoHS Compliance



Material:
Housing:PBT,Black
Contacts: Brass
Finish:Pre-Tin

Technical Features:

1. No of Positions:8P
2. The Mating Female Housing
P/N:L-KLS13-CA004-08-H
3. Current Rating:17A
4. Temperature Range:-40°C to 125°C
5. Fully sealed and submersible IP67rating



Order Information:

L-KLS13-CA004-08-R

L: RoHS

Serial No

XX-No.of pins

Type:

H-Housing

S-Vertical Header

R-Horizontal Header

T-Terminal

With Flange Seal

ANGLE TOLERANCE	PROJECTION	Description:	8 Pin AMPSEAL Connector Horizontal HEADER ,Black
±3°			
GENERAL TOLERANCE	UNITS	mm	KLS P/N:
x.x ±0.30	SHEET SIZE	A4	L-KLS13-CA004-08-R
x.xx ±0.20	Draw:	Daniel	2018-07-10
x.xxx ±0.10	Check:	Daniel	2018-07-10



NingBo KLS ELECTRONIC CO.,L TD.