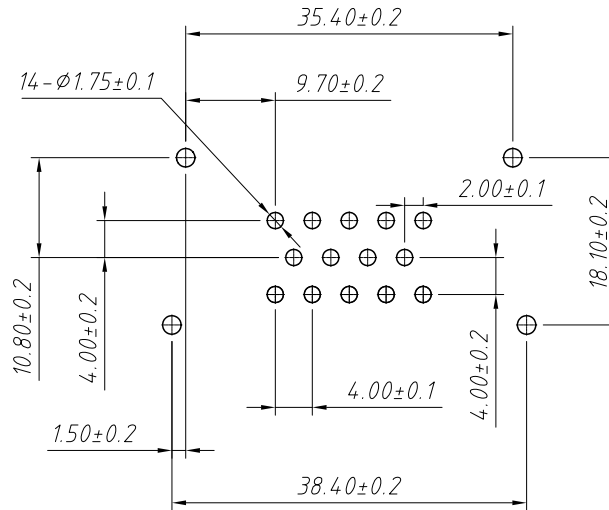
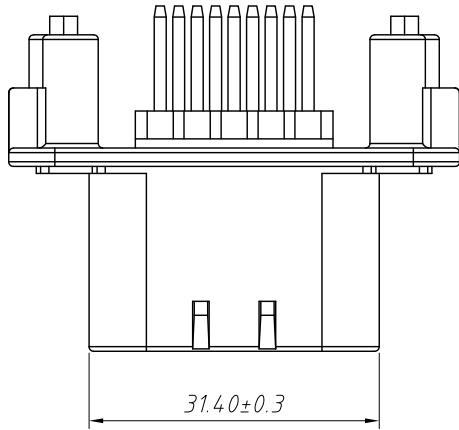


1 RoHS Compliance

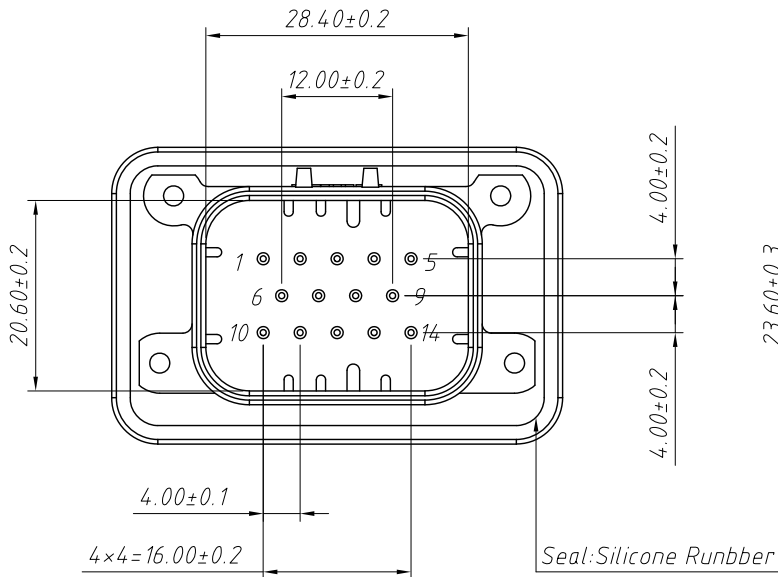


PCB LAYOUT

Material:
Housing: PBT, Black
Contacts: Brass
Finish: Pre-Tin

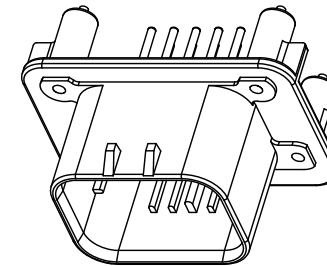
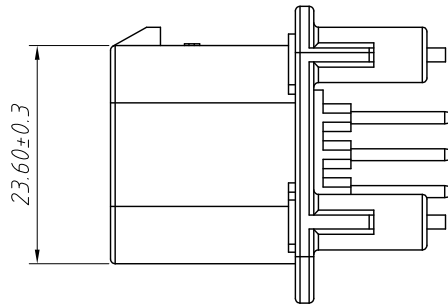
Technical Features:

1. No of Positions: 14P
2. The Mating Female Housing
P/N: L-KLS13-CA004-14-H
3. Current Rating: 17A
4. Temperature Range: -40°C to 125°C
5. Fully sealed and submersible IP67 rating



With Flange Seal

Seal: Silicone Runbber



Order Information:

L-KLS13-CA004-14-S

L: RoHS

Serial No

XX-No. of pins

Type:

H-Housing

S-Vertical Header

R-Horizontal Header

T-Terminal

ANGLE TOLERANCE	PROJECTION	Description:	
±3°		14 Pin AMPSEAL Connector Vertical Header, Black	
GENERAL TOLERANCE	UNITS	mm	KLS P/N:
x.x ±0.30	SHEET SIZE	A4	L-KLS13-CA004-14-S
x.xx ±0.20	Draw:	Daniel	2018-07-10
x.xxx ±0.10	Check:	Daniel	2018-07-10



NingBo KLS ELECTRONIC CO.,L TD.