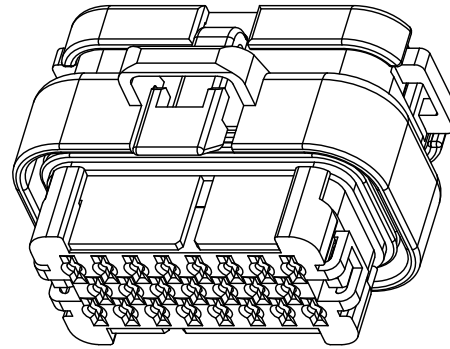
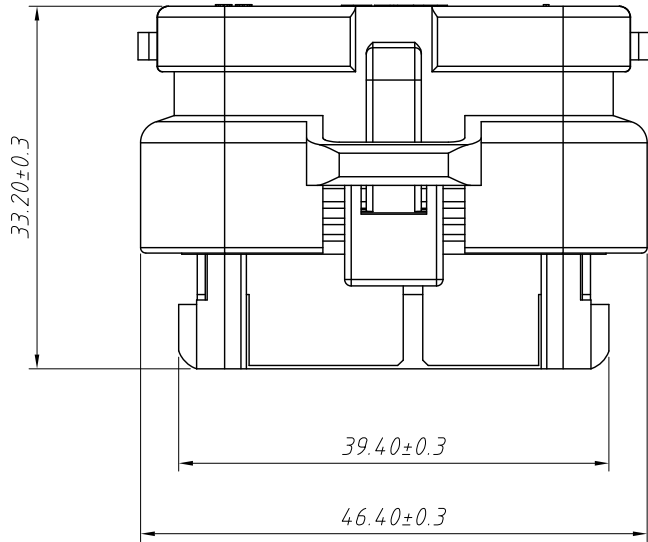


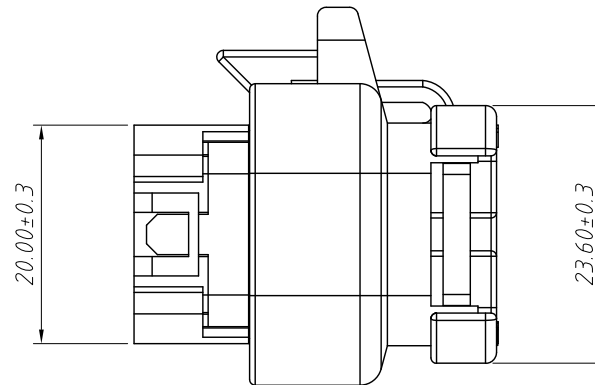
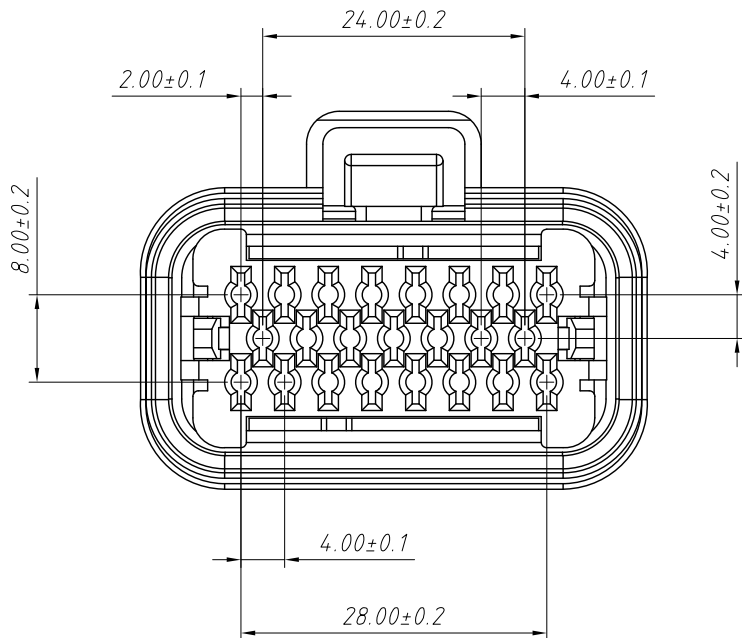
1 RoHS Compliance



Material:
Housing:PBT,Black.

Technical Features:

1. No of Positions:23P
2. Applicable Terminal P/N :L-KLS13-CA004-T
3. Wire Range:AVSS,AVSSH-F 0.5~1.25mm²
4. Temperature Range:-40°C to 125°C
5. Fully sealed and submersible IP67rating



Order Information:

L-KLS13-CA004-23-H

L: RoHS

Serial No

XX-No.of pins

Type:

H-Housing

S-Vertical Header

R-Horizontal Header

T-Terminal

ANGLE TOLERANCE	PROJECTION	Description:	23 Pin AMPSEAL Connector Housing,Black
±3°			
GENERAL TOLERANCE	UNITS	mm	KLS P/N:
x.x ±0.30	SHEET SIZE	A4	L-KLS13-CA004-23-H
x.xx ±0.20	Draw:	Daniel	2018-07-10
x.xxx ±0.10	Check:	Daniel	2018-07-10



NingBo KLS ELECTRONIC CO.,L TD.