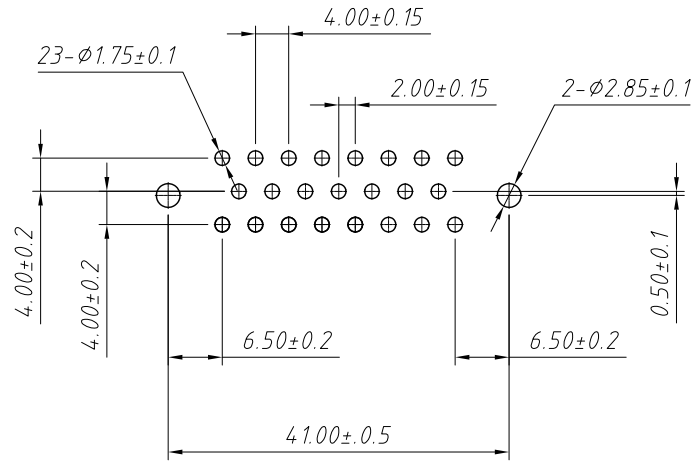
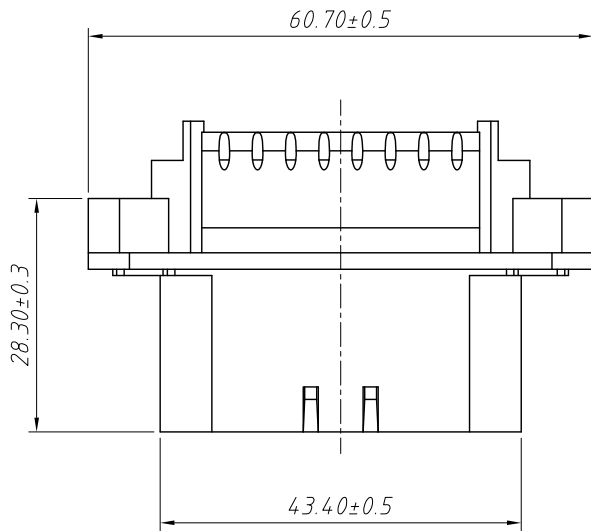


1 RoHS Compliance

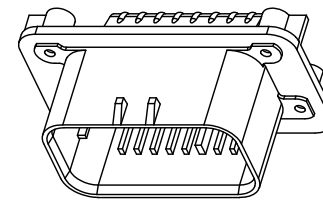
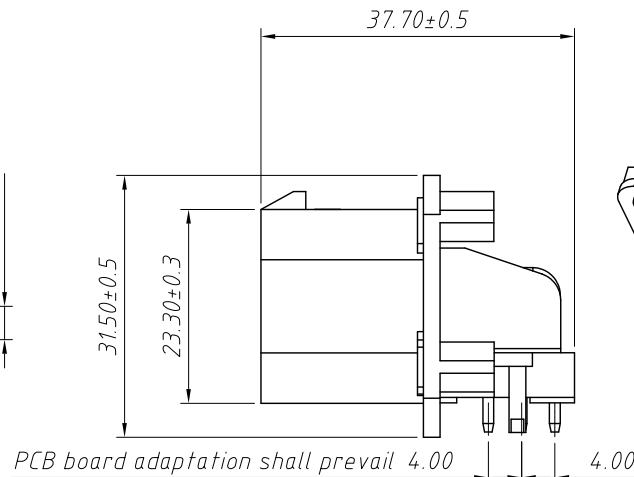
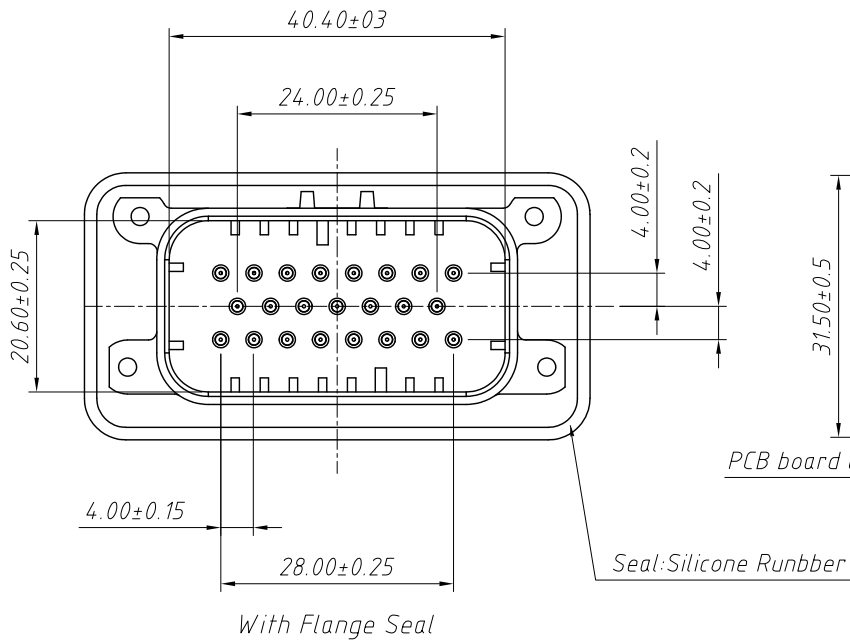


PCB LAYOUT

Material:  
Housing:PBT,Black  
Contacts: Brass  
Finish:Pre-Tin

Technical Features:

1. No of Positions:23P
2. The Mating Female Housing  
P/N:L-KLS13-CA004-23-H
3. Current Rating:8A
4. Temperature Range:-40°C to 125°C
5. Fully sealed and submersible IP67rating



Order Information:  
L-KLS13-CA004-23-R

L: RoHS  
Serial No  
XX-No.of pins  
Type:  
H-Housing  
S-Vertical Header  
R-Horizontal Header  
T-Terminal

ANGLE TOLERANCE	PROJECTION	Description:	23 Pin AMPSEAL Connector Horizontal HEADER ,Black
±3°			
GENERAL TOLERANCE	UNITS	mm	KLS P/N:
x.x ±0.30	SHEET SIZE	A4	L-KLS13-CA004-23-R
x.xx ±0.20	Draw:	Daniel	2018-07-10
x.xxx ±0.10	Check:	Daniel	2018-07-10



NingBo KLS ELECTRONIC CO.,L TD.