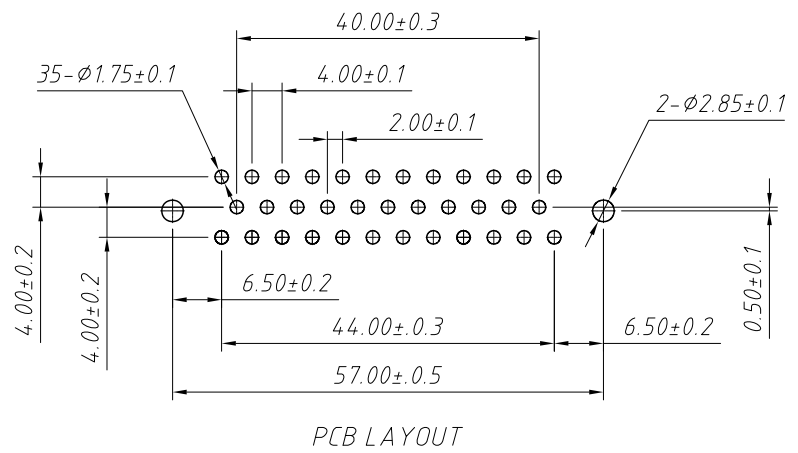
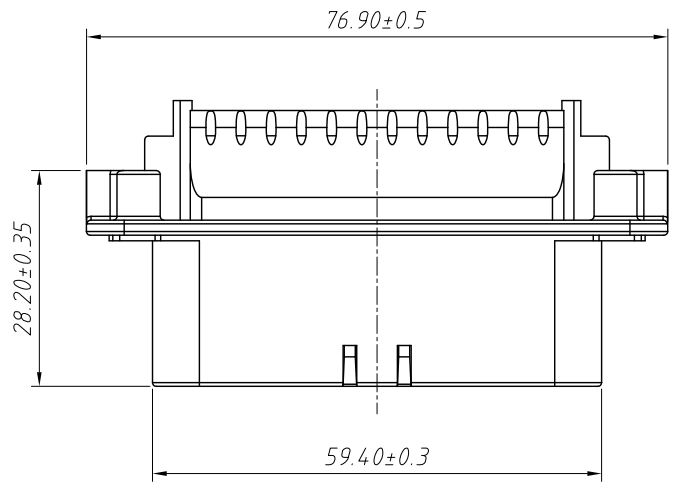
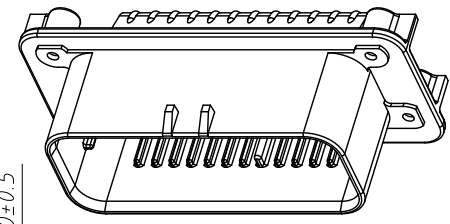
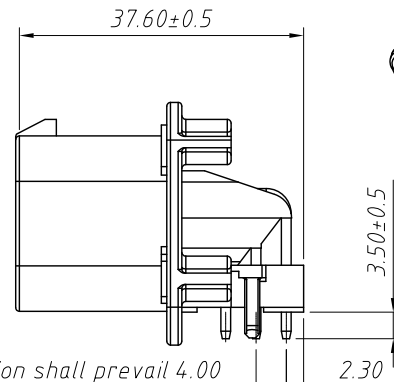
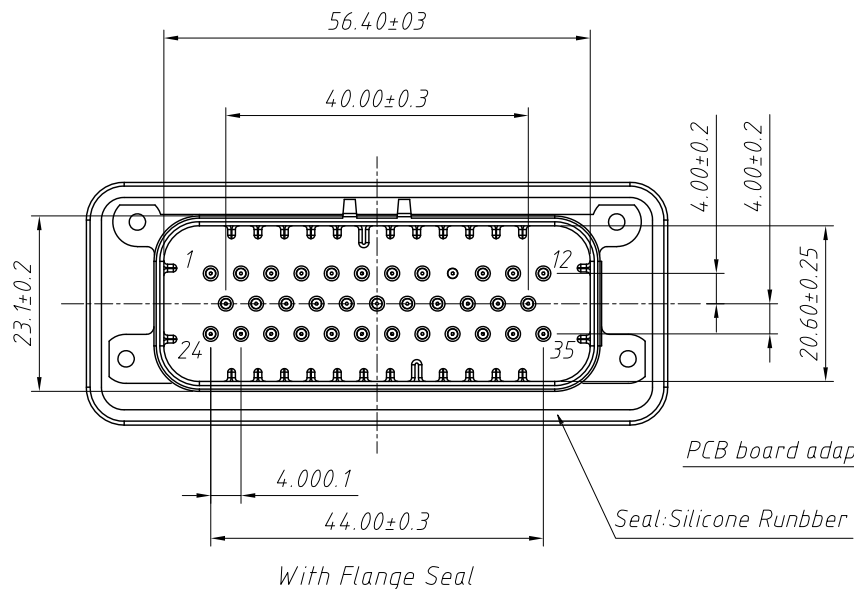


1  
RoHS Compliance



Material:  
Housing: PBT, Black  
Contacts: Brass  
Finish: Pre-Tin

- Technical Features:
- No. of Positions: 35P
  - The Mating Female Housing  
P/N: L-KLS13-CA004-35-H
  - Current Rating: 17A
  - Temperature Range: -40°C to 125°C
  - Fully sealed and submersible IP67 rating



Order Information:  
L-KLS13-CA004-35-R

L: RoHS  
Serial No  
XX-No. of pins  
Type:  
H-Housing  
S-Vertical Header  
R-Horizontal Header  
T-Terminal

ANGLE TOLERANCE	PROJECTION	Description:	35 Pin AMPSEAL Connector Horizontal HEADER, Black
±3°			
GENERAL TOLERANCE	UNITS	mm	L-KLS13-CA004-35-R
x.x ±0.30	SHEET SIZE	A4	
x.xx ±0.20	Draw:	Daniel	NingBo KLS ELECTRONIC CO.,LTD.
x.xxx ±0.10	Check:	Daniel	