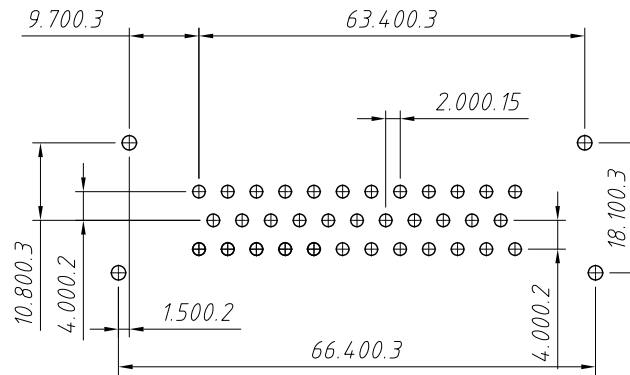
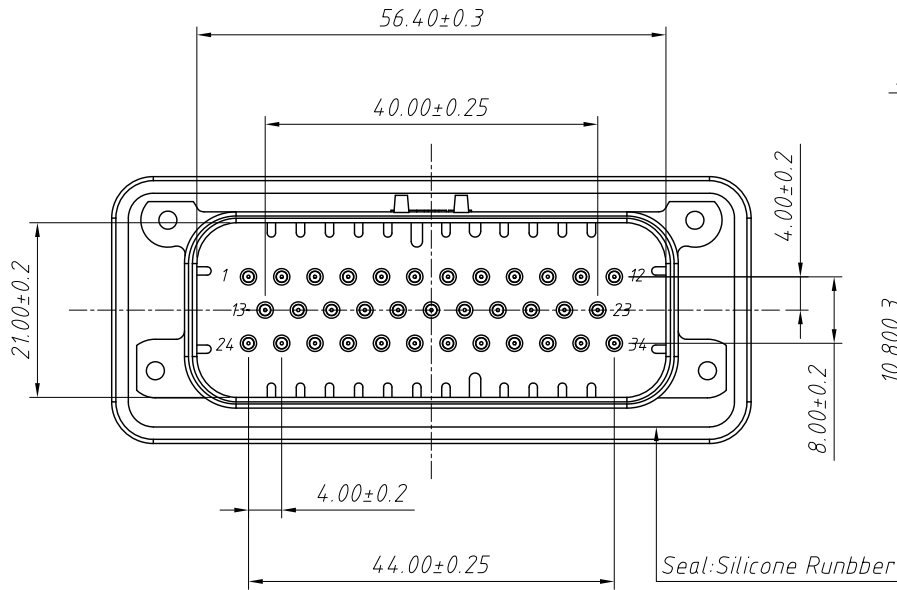


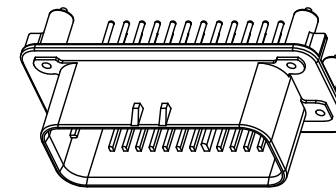
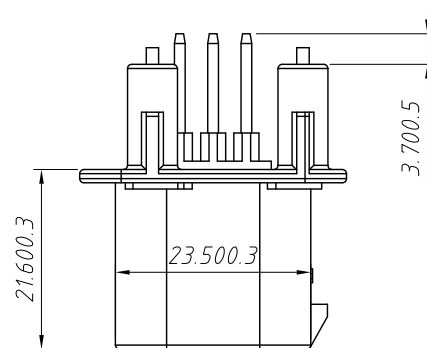
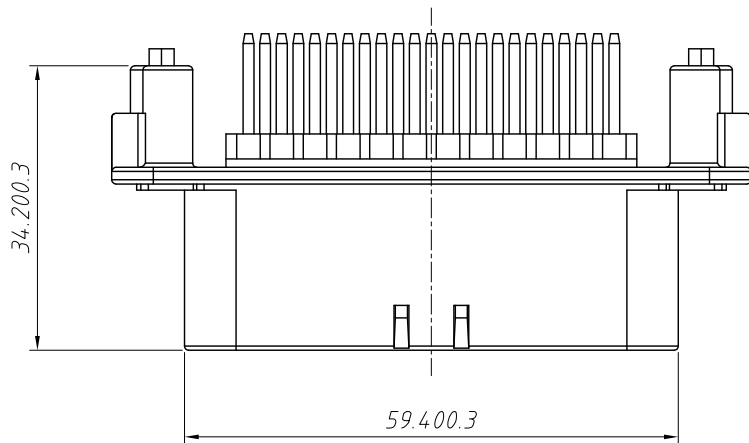
1 RoHS Compliance



PCB LAYOUT

Material:
Housing: PBT, Black
Contacts: Brass
Finish: Pre-Tin

- Technical Features:
- No. of Positions: 35P
 - The Mating Female Housing
P/N: L-KLS13-CA004-35-H
 - Current Rating: 17A
 - Temperature Range: -40°C to 125°C
 - Fully sealed and submersible IP67 rating



Order Information:
L-KLS13-CA004-35-S

L: RoHS
Serial No
XX-No. of pins
Type:
H-Housing
S-Vertical Header
R-Horizontal Header
T-Terminal

ANGLE TOLERANCE	PROJECTION	Description:	35 Pin AMPSEAL Connector Vertical Header, Black
±3°			
GENERAL TOLERANCE	UNITS	mm	KLS P/N: L-KLS13-CA004-35-S
x.x ±0.30	SHEET SIZE	A4	
x.xx ±0.20	Draw:	Daniel	2018-07-10
x.xxx ±0.10	Check:	Daniel	2018-07-10



NingBo KLS ELECTRONIC CO.,LTD.