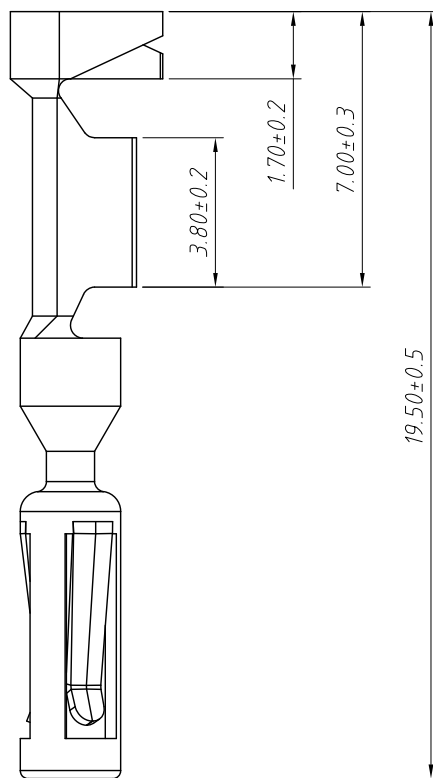
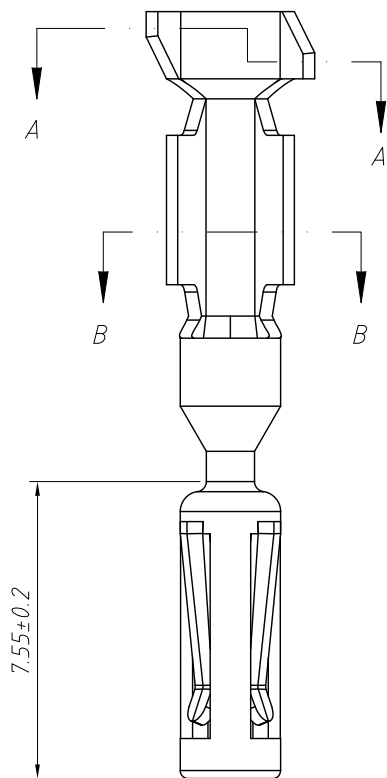
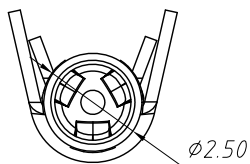
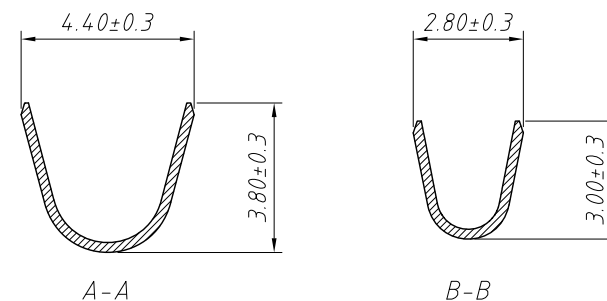


1 RoHS Compliance



Technical Features:

1. Terminal Material: Phosphor Bronze
2. Terminal Finish: Pre-Tin
3. Wire Range: AVSS, AVSSH-F 0.5-1.25MM<sup>2</sup>
4. Temperature Range: -40°C to 125°C
5. Packaging Method: Strip
6. Qty/Reel: 4000 PCS

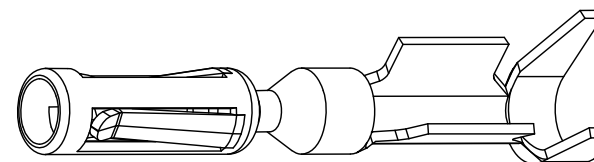


Order Information:

L-KLS13-CA004-T

L: RoHS  
Serial No

Type:  
H-Housing  
S-Vertical Header  
R-Horizontal Header  
T-Terminal



ANGLE TOLERANCE	PROJECTION	Description:	1.3mm AMPSEAL Connector Terminal 0.5~1.25 mm <sup>2</sup> wire
±3°			
GENERAL TOLERANCE	UNITS	mm	KLS P/N: L-KLS13-CA004-T
x.x ±0.30	SHEET SIZE	A4	NingBo KLS ELECTRONIC CO.,L TD.
x.xx ±0.20	Draw:	Daniel 2018-07-10	
x.xxx ±0.10	Check:	Daniel 2018-07-10	